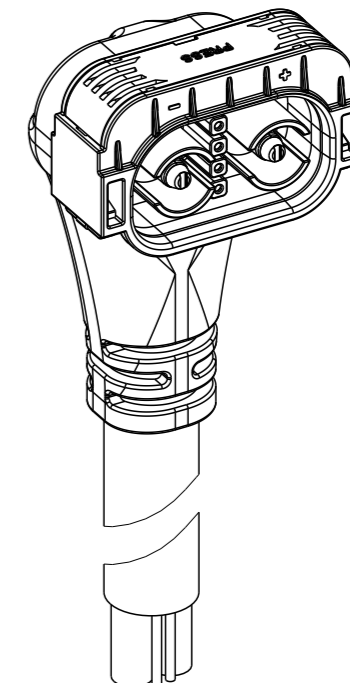
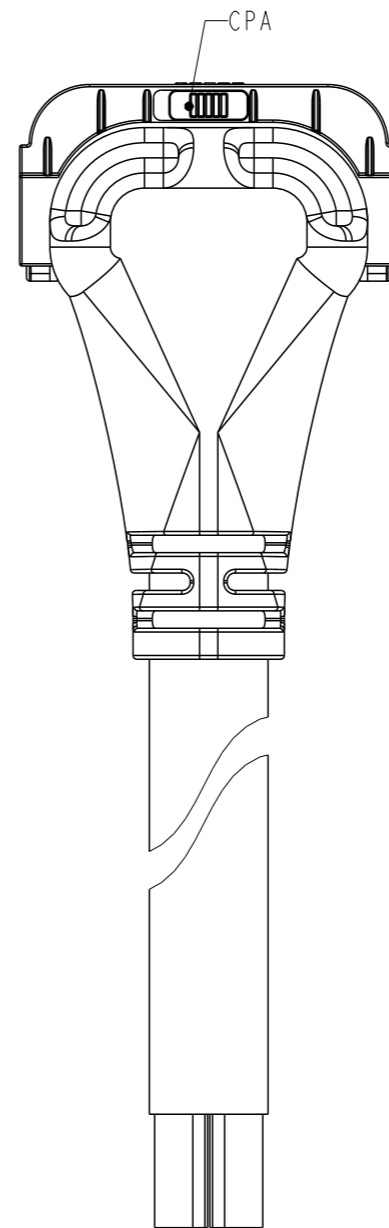
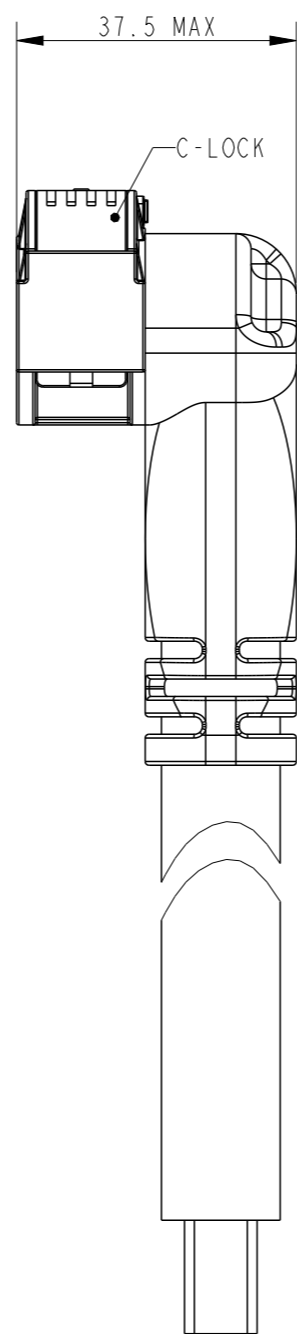
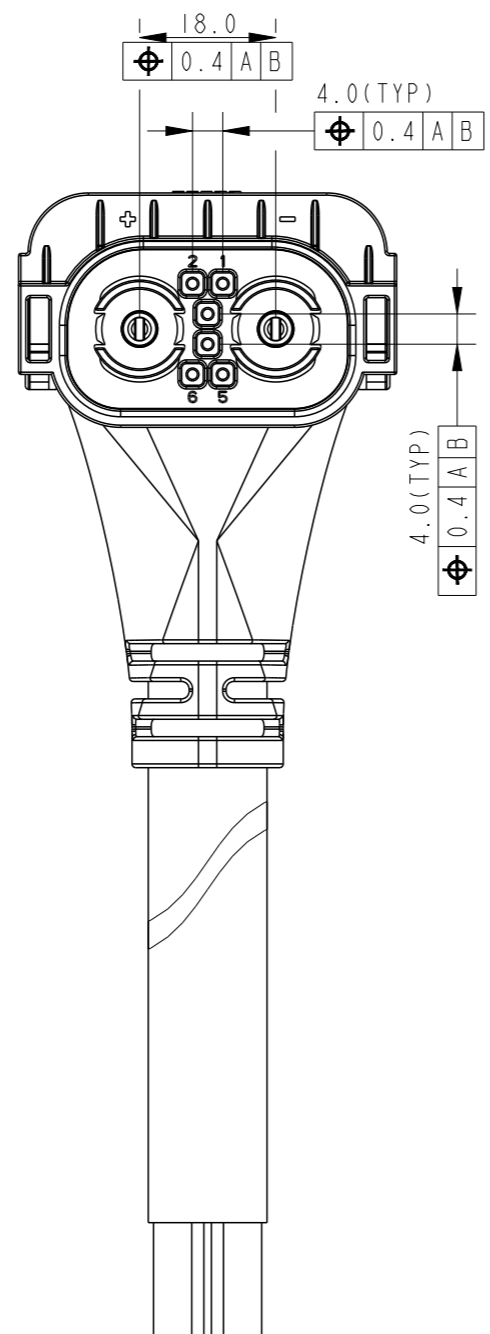
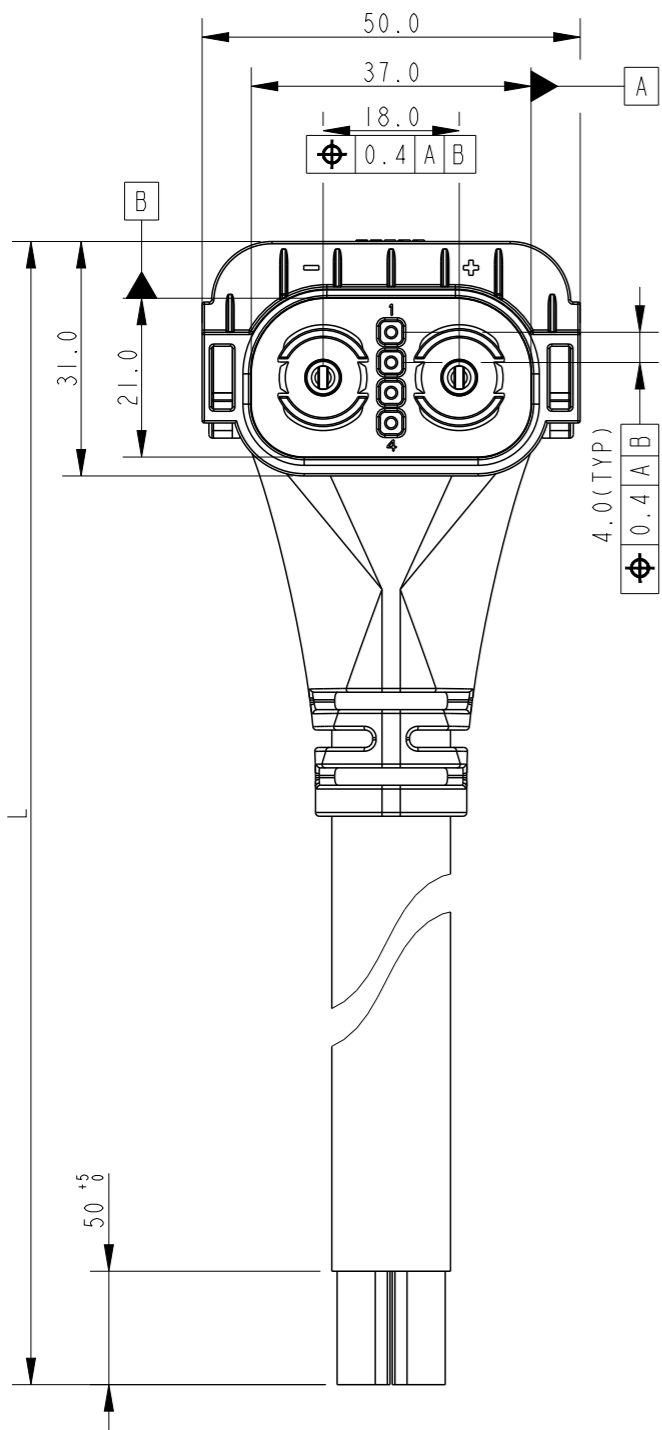


AU10169534-X24XXLF
2 POWER, 4 SIGNAL VARIANT

AU10169534-X26XXLF
2 POWER, 6 SIGNAL VARIANT



AU 10169534 - X 2 X X X LF

AUTOMOTIVE LEAD FREE
 BASE NO. CABLE LENGTH B - 0.2 M
 POWER CABLE SIZE C - 16 SOMM
 NO. OF SIGNAL TERMINALS 4
 6
 NO. OF POWER TERMINALS
 RATED CURRENT J - 70A

Amphenol FCI

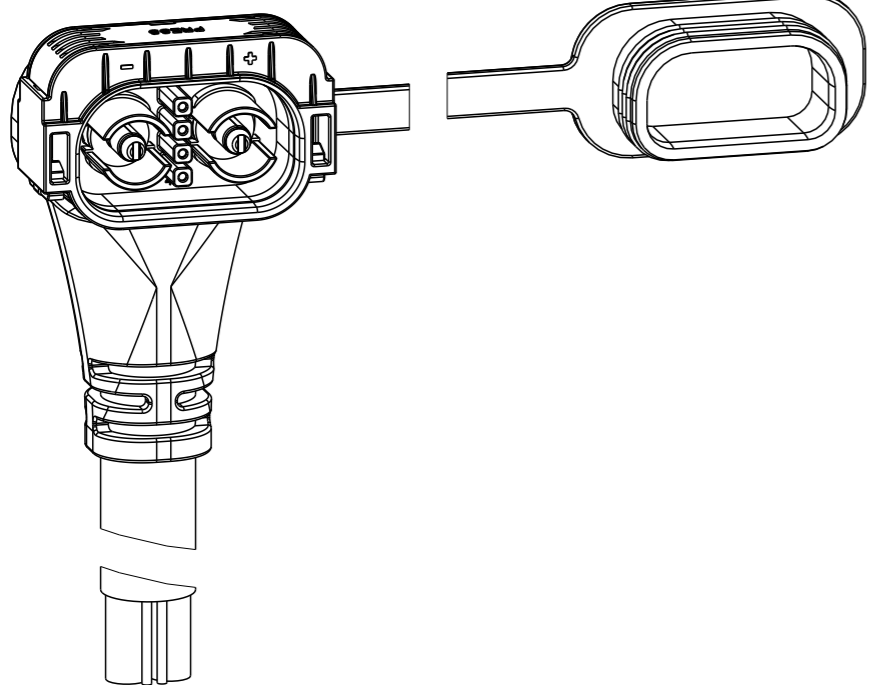
© 2020 Amphenol Corporation

ITEM	COLOR
CPA	YELLOW
C-LOCK	RED

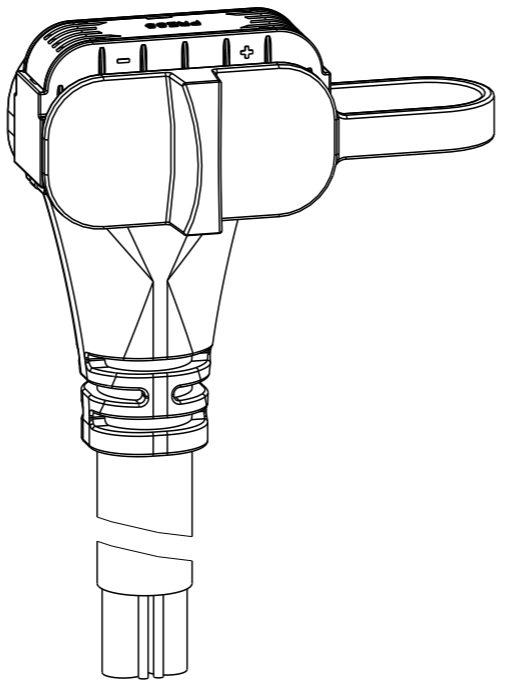
spec ref	dr	Prakash, Pravi	2022/12/30	projection	mm	size	A3	scale	1:1
tolerance std	eng	-	2022/12/31			ecn no	-	rel level	Preliminary
ISO 406 ISO 1101	chr	-	-						
surface	linear	0.X	±0.5	Amphenol FCI		title PLUG ASSEMBLY DURAEV	dwg no 10169536	rev ptc_wm_1	vis
		0.XX	±0.25						
ISO 1302	angular	0°	±°	cat. no.	-	Product - Customer Drw	sheet 1 of 2		

Creo File:ELX-WC-A3C.REV F.2020-12-21

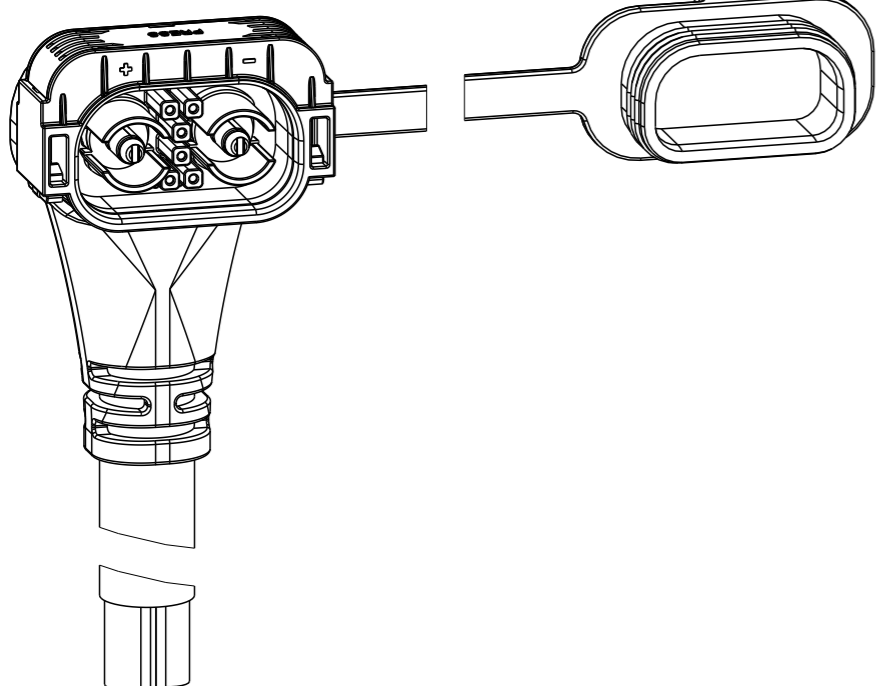
2P4S - IP CAP OPEN



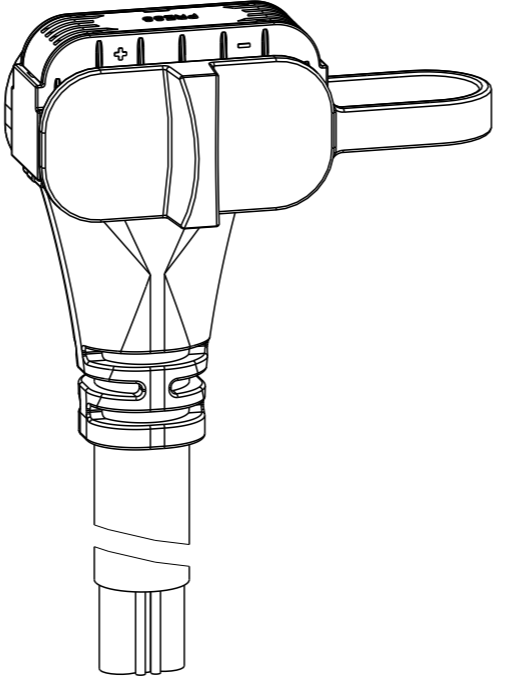
2P4S - IP CAP CLOSED



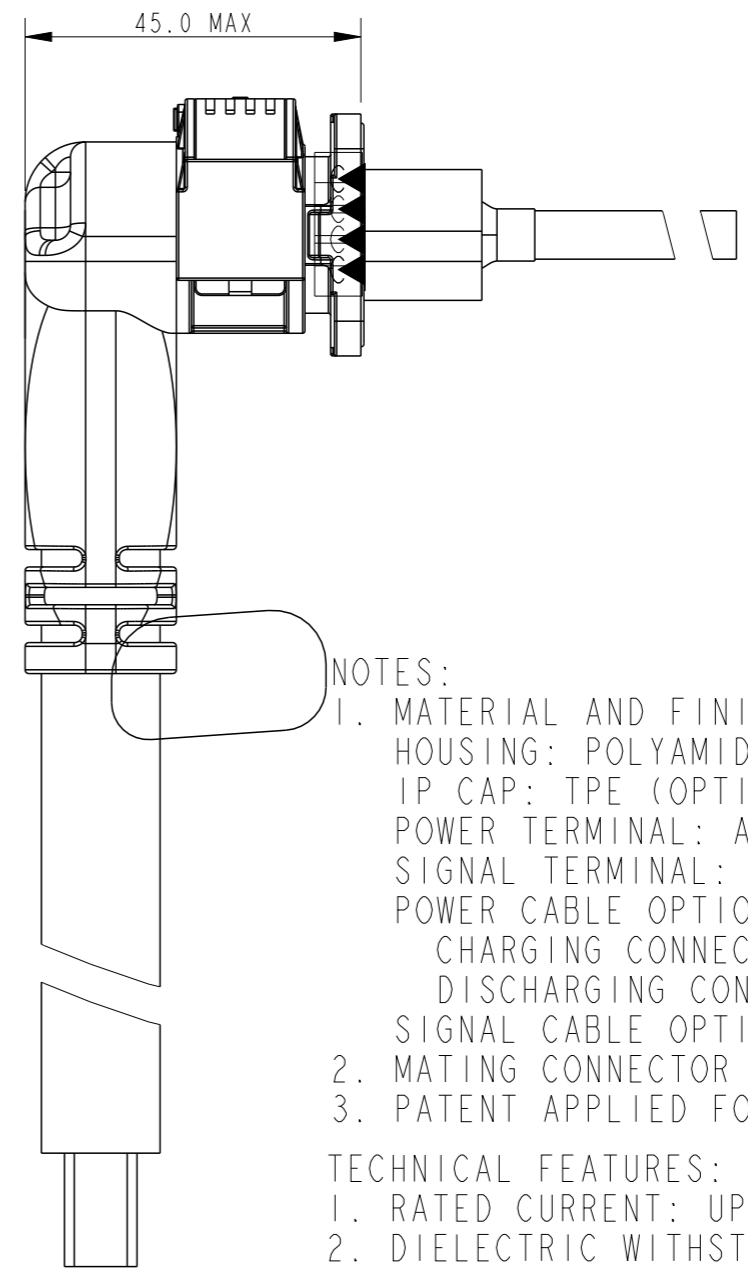
2P6S - IP CAP OPEN



2P6S - IP CAP CLOSED



MATED CONDITION



NOTES:

- MATERIAL AND FINISH
HOUSING: POLYAMIDE THERMOPLASTIC
IP CAP: TPE (OPTIONAL)
POWER TERMINAL: AG OVER CU ALLOY
SIGNAL TERMINAL: AU OVER CU ALLOY
POWER CABLE OPTIONS:
 CHARGING CONNECTOR: 1.5/2.5 SQMM
 DISCHARGING CONNECTOR: 10/16 SQMM
SIGNAL CABLE OPTIONS: 0.35/0.50 SQMM
- MATING CONNECTOR DRAWING: 10169537
- PATENT APPLIED FOR.

TECHNICAL FEATURES:

- RATED CURRENT: UPTO 70 A
- DIELECTRIC WITHSTANDING VOLTAGE: 500 VDC
- INSULATION RESISTANCE: >1 GΩ
- FLAMMABILITY RATING: UL 94 V-0
- DURABILITY: 10,000 MATING CYCLES
- IP RATING: IP67, MATED & UNMATED
- OPERATING TEMPERATURE: -20 TO 90 °C

COLOUR TABLE

PIN	2P4S	2P6S
+	ORANGE	ORANGE
-	BLACK	BLACK
1	BLUE	ORANGE
2	ORANGE	BROWN
3	BROWN	BLUE
4	GREEN	GREEN
5	-	RED (B)
6	-	WHITE

spec ref	dr	Prakash, Pravi	2022/12/30	projection	mm	size	A3	scale	1:1
tolerance std	eng	-	2022/12/31			ecn no	-	rel level	Preliminary
ISO 406 ISO 1101	chr	-	-						
surface	linear	0.X	±0.5		product family -	dwg no	10169536	rev	1
		0.XX	±0.25						
ISO 1302	angular	0°	±°	PLUG ASSEMBLY DURAEV	cat. no.	-	Product - Customer Drw	sheet 2 of 2	

Creo File:ELX-WC-A3C.REV F.2020-12-21