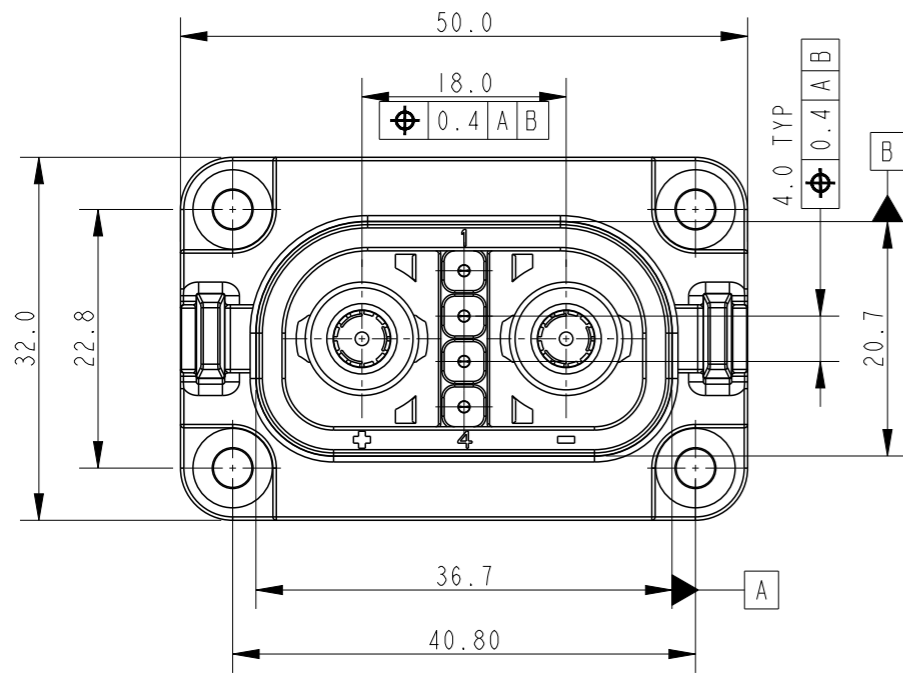
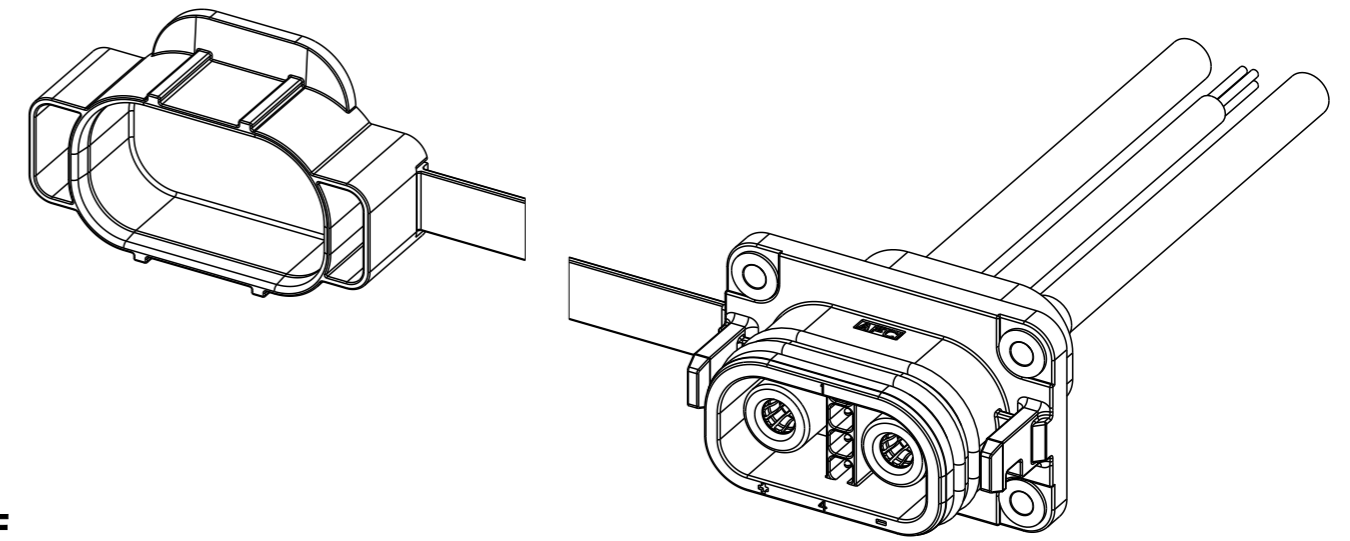
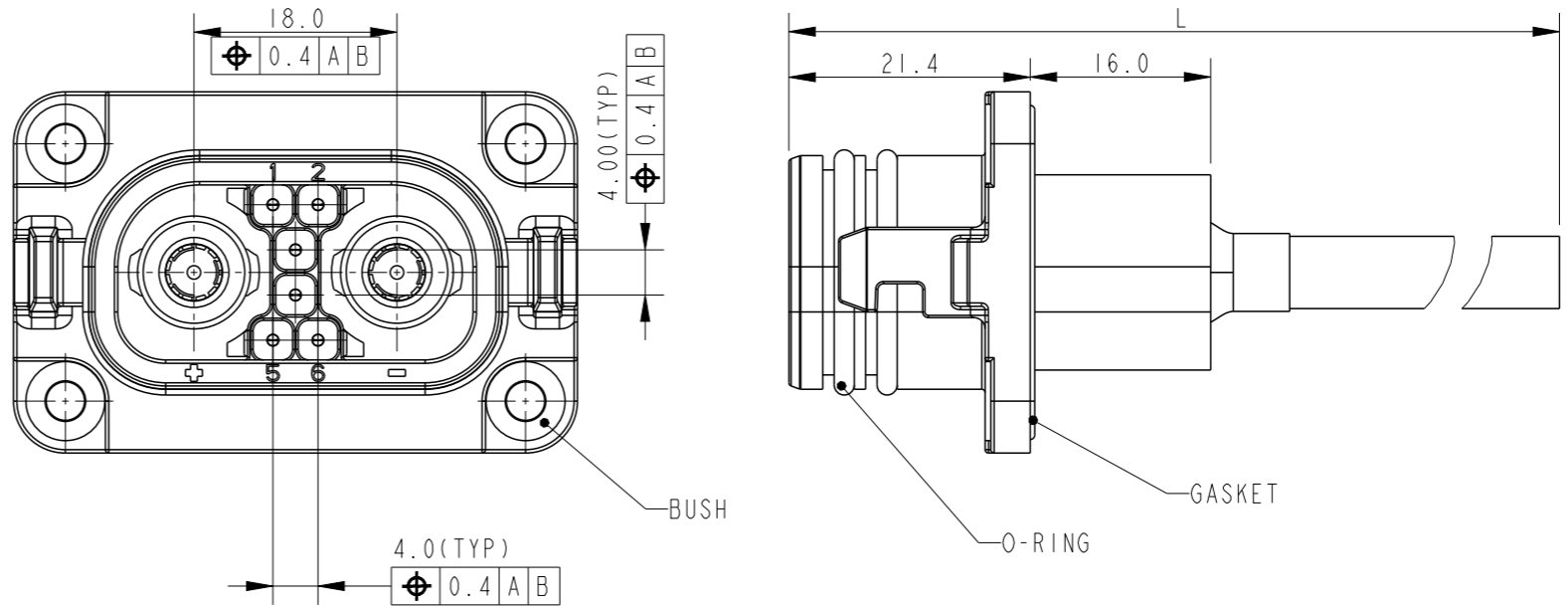


AU10169535-X24XXLF
2 POWER, 4 SIGNAL VARIANT



AU10169535-X26XXLF
2 POWER, 6 SIGNAL VARIANT



AU 1016535 - X 2 X X X LF

BASE NO
AUTOMOTIVE

LEAD FREE

CABLE LENGTH
B - 0.2 M

POWER CABLE SIZE
C - 16 SQMM

NO. OF SIGNAL TERMINALS
4
6

NO. OF POWER TERMINALS

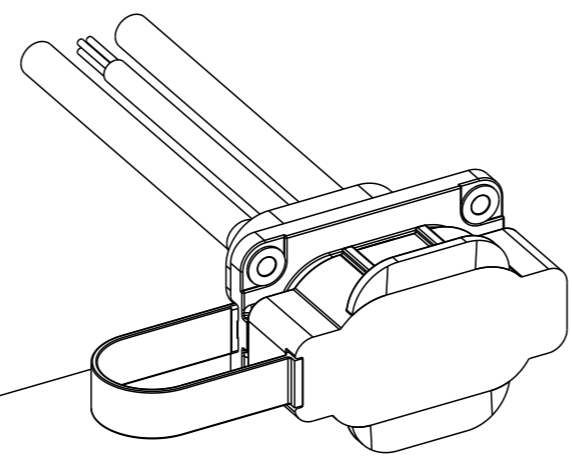
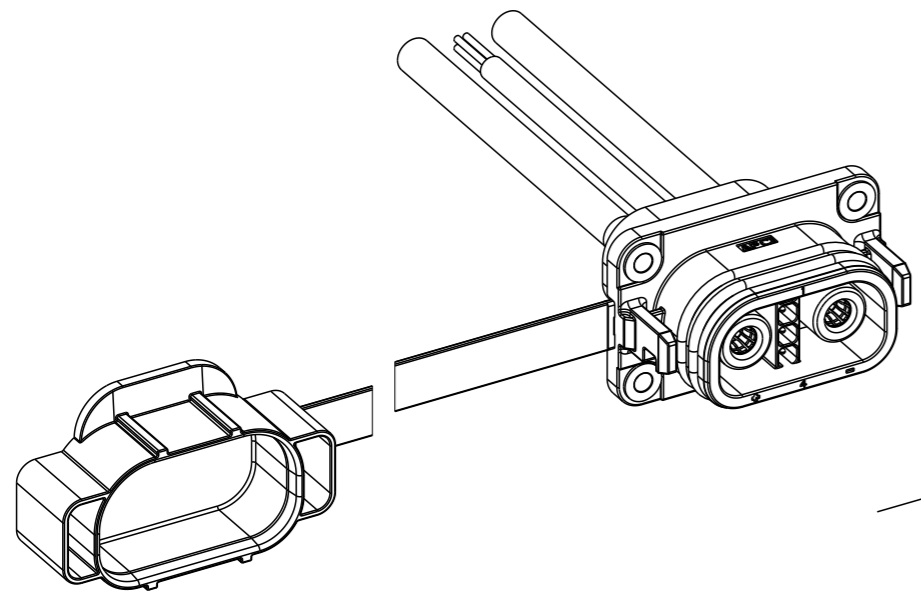
RATED CURRENT
J - 70 A

spec ref	dr	Prakash, Pravi	2022/12/30	projection	mm	size	A3	scale	1:1
tolerance std	eng	-	2022/12/31			ecn no	-	rel level	Preliminary
ISO 406 ISO 1101	chr	-	-						
surface	linear	0.X	±0.5	Amphenol FCI SOCKET ASSEMBLY DURAEV		dwg no	10169537	rev	1
		0.XX	±0.25						
ISO 1302	angular	0°	±°	amphenol-icc.com		cat. no.	-	Product - Customer Drw	

Creo File:ELX-WC-A3C.REV F.2020-12-21

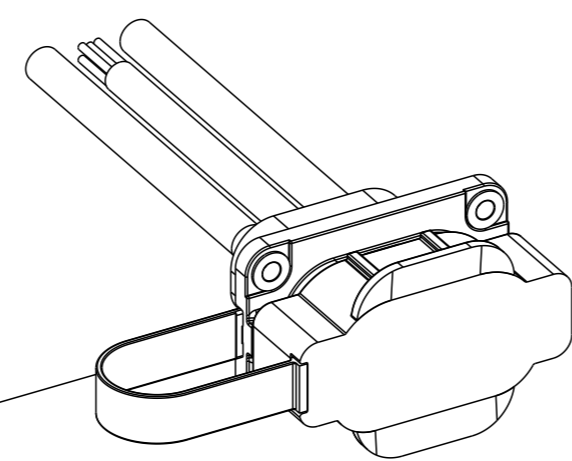
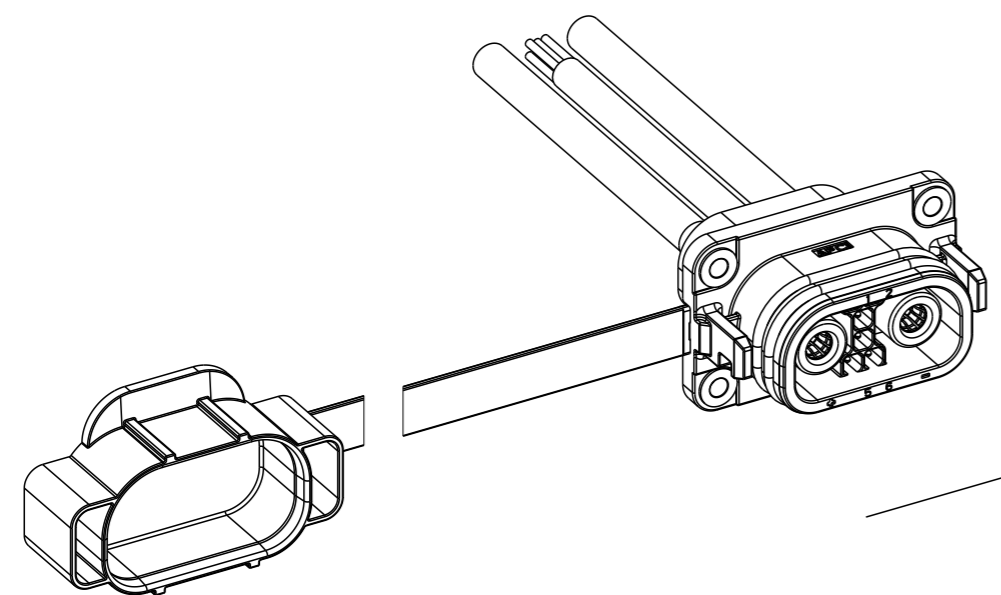
2P4S - IP CAP OPEN

2P4S - IP CAP CLOSED

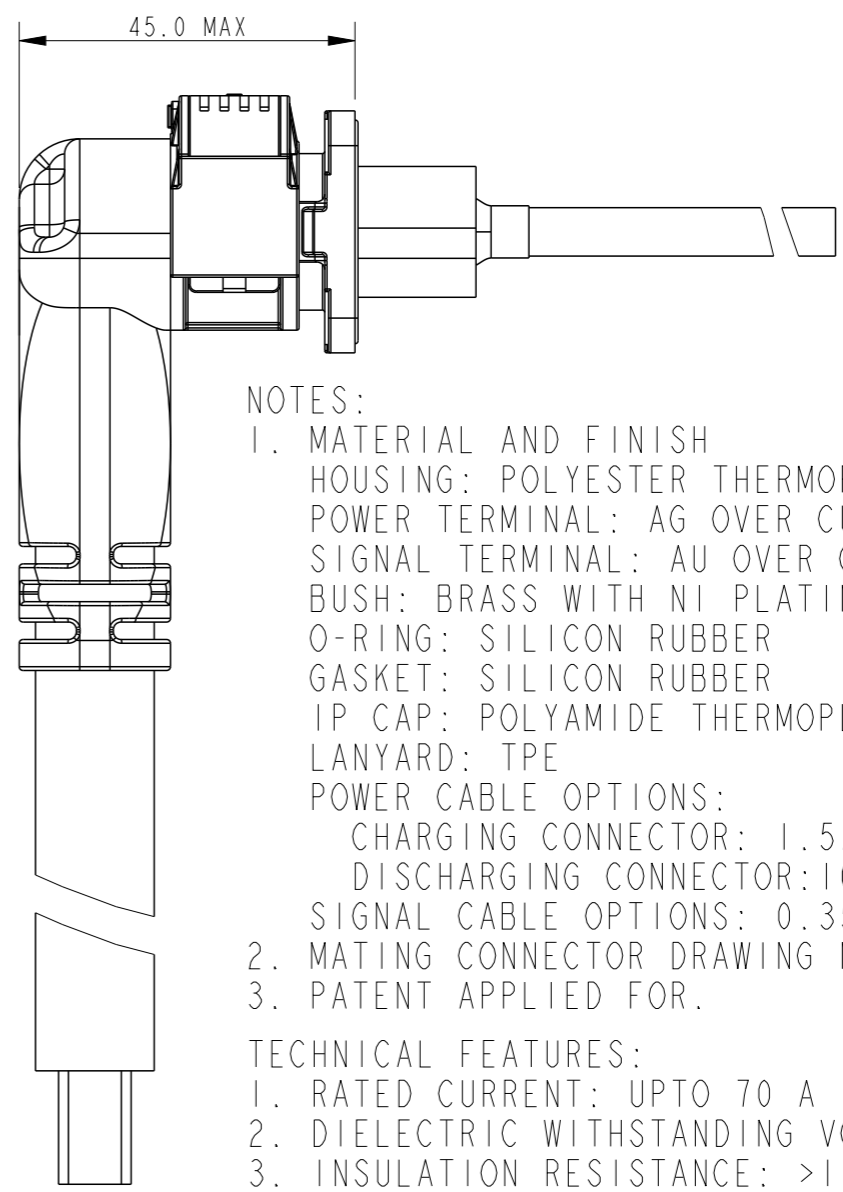


2P6S - IP CAP OPEN

2P6S - IP CAP CLOSED



MATED CONDITION



NOTES:

- MATERIAL AND FINISH
 HOUSING: POLYESTER THERMOPLASTIC
 POWER TERMINAL: AG OVER CU ALLOY
 SIGNAL TERMINAL: AU OVER CU ALLOY
 BUSH: BRASS WITH NI PLATING
 O-RING: SILICON RUBBER
 GASKET: SILICON RUBBER
 IP CAP: POLYAMIDE THERMOPLASTIC
 LANYARD: TPE
 POWER CABLE OPTIONS:
 CHARGING CONNECTOR: 1.5/2.5 SQMM
 DISCHARGING CONNECTOR: 10/16 SQMM
 SIGNAL CABLE OPTIONS: 0.35/0.50 SQMM
- MATING CONNECTOR DRAWING NO: 10169536
- PATENT APPLIED FOR.

TECHNICAL FEATURES:

- RATED CURRENT: UPTO 70 A
- DIELECTRIC WITHSTANDING VOLTAGE: 500 VDC
- INSULATION RESISTANCE: >1 GΩ
- FLAMMABILITY RATING: UL 94 V-0
- DURABILITY: 10,000 MATING CYCLES
- IP RATING: IP67, MATED & UNMATED
- OPERATING TEMPERATURE: -20 TO 90 °C

Amphenol FCI

© 2020 Amphenol Corporation

COLOUR TABLE

PIN	2P4S	2P6S
+	ORANGE	ORANGE
-	BLACK	BLACK
1	BLUE	ORANGE
2	ORANGE	BROWN
3	BROWN	BLUE
4	GREEN	GREEN
5	-	RED (B)
6	-	WHITE

spec ref	dr	Prakash, Pravi	2022/12/30	projection	mm	size	A3	scale	1:1
tolerance std	eng	-	2022/12/31			ecn no	-	rel level	Preliminary
ISO 406 ISO 1101	chr	-	-						
surface	linear	0.X	±0.5		product family	SOCKET ASSEMBLY	dwg no	10169537	rev
		0.XX	±0.25						
ISO 1302	angular	0°	±°	amphenol-icc.com	cat. no.	-	Product - Customer Drw	sheet 2 of 2	

Creo File:ELX-WC-A3C.REV F.2020-12-21

For information only. This is a preliminary customer document that is subject to change without notice.