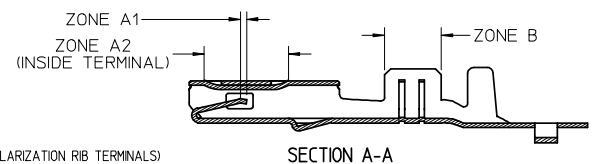


CRIMP INFORMATION
SEE NOTE 14

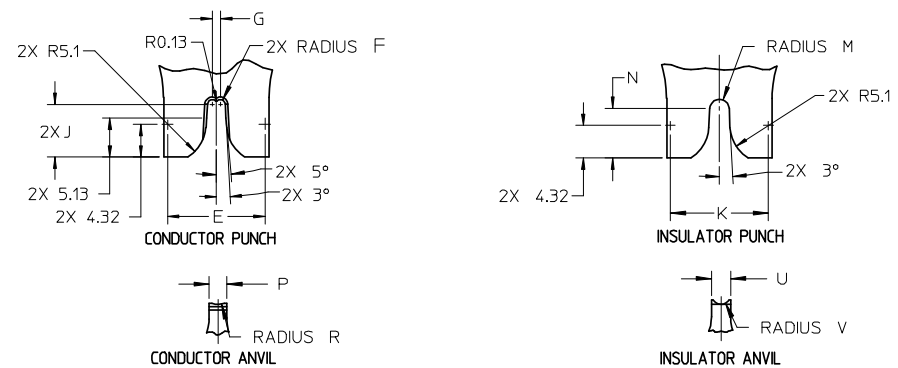
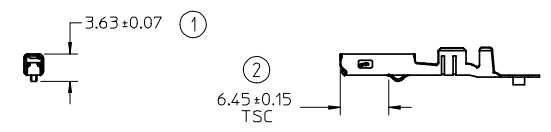
PLATING INFORMATION



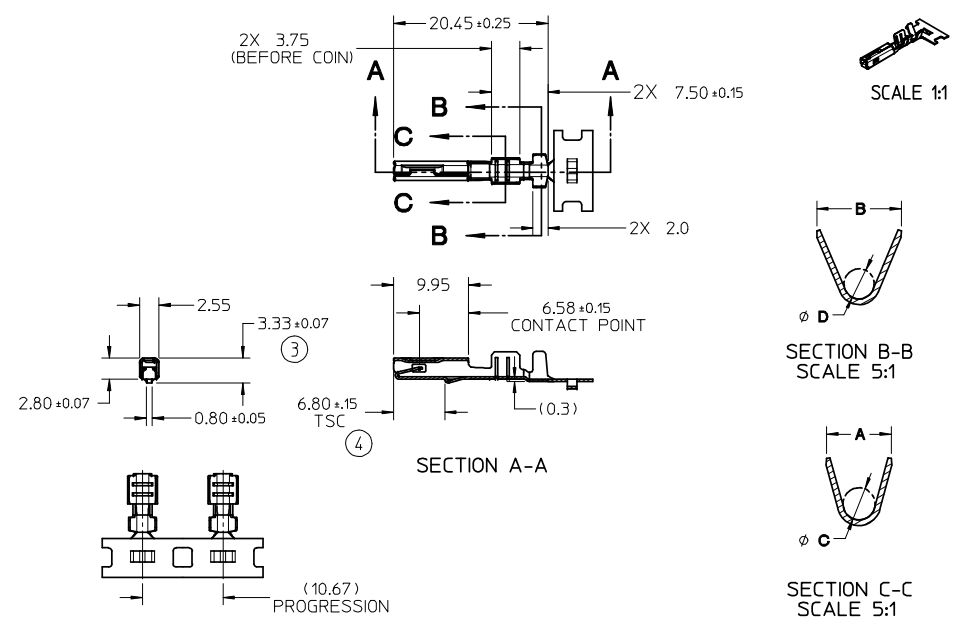
PLATING NOTES: (FOR SMALL AND LARGE POLARIZATION RIB TERMINALS)

- PRECIOUS METAL PLATING:
ZONE A1 AND ZONE A2:
PER MOLEX ES-88 REVISION REL
BASE LAYER: ELECTRODEPOSITED DUCTILE SULFAMATE NICKEL
THICKNESS: 1.25 - 2.25 MICROMETERS
PRECIOUS LAYER: GOLD OR SILVER
GOLD: ELECTRODEPOSITED GOLD
THICKNESS: 0.76 MICROMETERS MINIMUM
SILVER: ELECTRODEPOSITED PURE SILVER (0.5% MAX IMPURITIES)
THICKNESS: 1.9 - 3.3 MICROMETERS
FINISH: SEMI-BRIGHT
ANTI-TARNISH TREATMENT FOR SILVER PLATING
EVABRITE WS
 - TIN PLATING: (ENTIRE TERMINAL)
BASE LAYER: ELECTRODEPOSITED ADVANCED TIN BARRIER
THICKNESS: 0.25-1.00 MICROMETERS
TIN LAYER: ELECTRODEPOSITED REFLOW TIN, 100% TIN
NO BRIGHTENERS
THICKNESS: 0.50-1.00 MICROMETERS
- ZONE B:
TIN PLATING: PER MOLEX ES-88 REVISION REL
BASE LAYER: ELECTRODEPOSITED DUCTILE SULFAMATE NICKEL
THICKNESS: 1.25-2.25 MICROMETERS
TIN LAYER: ELECTRODEPOSITED 100% TIN MATTE FINISH
THICKNESS: 2.50 - 4.00 MICROMETERS

DIMENSIONS FOR LARGE POLARIZATION RIB TERMINAL ONLY



CRIMP TOOL INFORMATION
SEE TABLE 2 FOR TABLED DIMENSIONS



- NOTES: (UNLESS OTHERWISE SPECIFIED)
- MATING TERMINAL SHOWN ON SD-33000-001
 - MATERIAL: ASTM B422, UNS C19025, HR04
THICKNESS: 0.30 mm ± 0.01
TEMPER: FULL HARD (REF)
TENSILE: 496 MIN MPA
PLATING: SEE PLATING NOTES ABOVE
 - MEETS PERFORMANCE SPECIFICATION FOR CABLE TO TERMINAL ELECTRICAL CRIMPS PER SAE/USCAR-21 (8/2001)
 - MEETS PERFORMANCE STANDARD FOR AUTOMOTIVE ELECTRICAL CONNECTOR SYSTEMS FOR SAE/USCAR-2, REV. 4 (TEMP CLASS 3) (4/2001)
 - MEETS ELECTRICAL CONNECTION SYSTEM DESIGN SPECIFICATION (SDS) REV.11 (5/2002)
 - MEETS FIELD CORRELATED LIFE TEST (FCLT) PER SAE/USCAR-20 (11/2001)
 - MEETS WIRING COMPONENT DESIGN GUIDELINES SAE/USCAR-12 REV 2 (12/2001)
 - TSC ON A DIMENSION TO BE INTERPRETED AS DISTANCE TO A THEORETICAL SHARP CORNER AS IF THE RADIUS WERE NOT PRESENT
 - DRAWING CONFORMS TO AVP-(IT401/T406)-001 REVISION A DATED 2/16/99
 - REFERENCE 97BG-14474-AAB FOR LARGE POLARIZATION RIB CAVITY SPECIFICATION
 - INSERTION FORCE (TN) AVG. FROM PV TESTING -
3.8N LARGE POLARIZATION RIB
3.5N SMALL POLARIZATION RIB (REFERENCE)
 - ALL DIMENSIONS EXCEPT ①, ②, ③ & ④ ARE COMMON TO BOTH SMALL AND LARGE POLARIZATION RIB TERMINALS
 - REFERENCE PK-31300-516 FOR REEL DIRECTION
 - REFERENCE CS-33012-002 FOR ADDITIONAL CRIMP INFORMATION

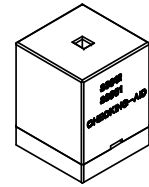
ENTER DESCRIPTION EC NO: JAU2008-0370 DRAWN BY: PULLIAM 2007/12/12 CHKD BY: DHIR 2008/01/07 APPR: BMOSER 2008/01/07	QUALITY SYMBOLS ▽=0 ▽=0	GENERAL TOLERANCES (UNLESS SPECIFIED)		DIMENSION STYLE MM ONLY		SCALE 2:1	DESIGN UNITS METRIC	THIRD ANGLE PROJECTION	
		mm	INCH	DRAWN BY L. PULLIAM	DATE 2005/06/21	TITLE MX150 RECEPTACLE TERMINAL	MOLEX INCORPORATED		
B	REVISION	4 PLACES ± --- ± ---	3 PLACES ± 0.005 ± ---	2 PLACES ± 0.10 ± ---	1 PLACE ± 0.3 ± ---	APPROVED BY B. MOSER	DATE 2005/06/22	DOCUMENT NO. SD-33012-002	
		ANGULAR ± 3 °		MATERIAL NO. SEE TABLE		SHEET NO. 1 OF 5		THIS DRAWING CONTAINS INFORMATION THAT IS PROPRIETARY TO MOLEX INCORPORATED AND SHOULD NOT BE USED WITHOUT WRITTEN PERMISSION	

TABLE 1 - TERMINAL CRIMP DIM. REFERENCE TABLE

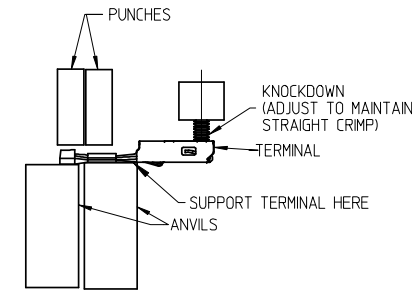
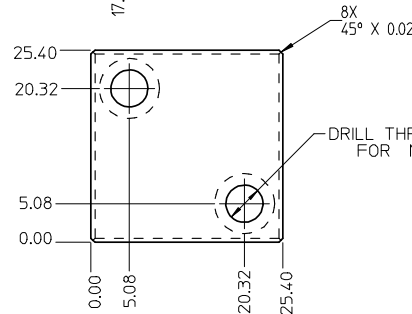
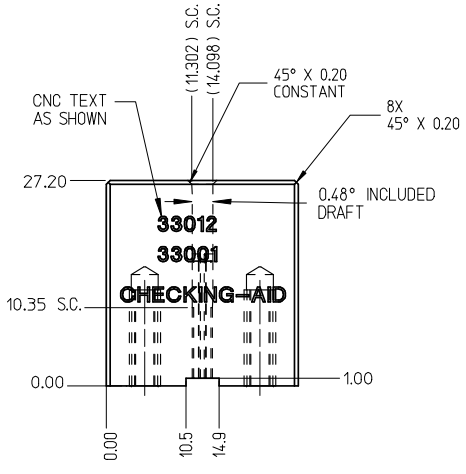
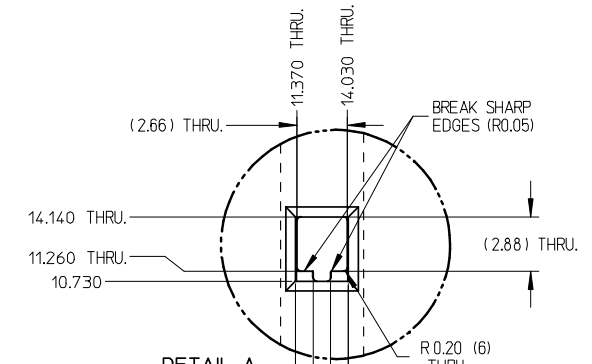
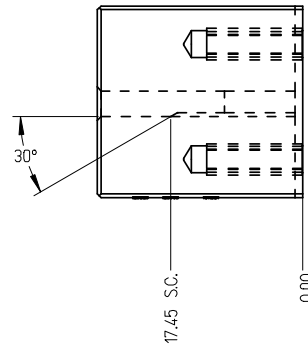
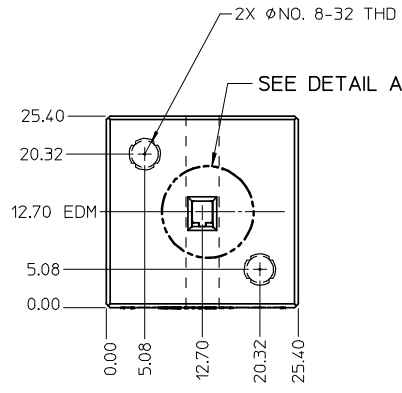
J	SUPPLIER PART NO.		FORD PART NO.	PLATING	WIRE SIZE (awg)	WIRE SPECIFICATION	CONDUCTOR OH (SEC Z-Z) ±0.05 mm	CONDUCTOR CW (SEC Z-Z) ±0.10 mm	INSULATOR IH (SEC Y-Y) ±0.10 mm	INSULATOR IW (SEC Y-Y) ±0.10 mm	WIRE PULL FORCE (N)
	SMALL POLARIZATION RIB	LARGE POLARIZATION RIB									
RIGHT PAYOFF		LEFT PAYOFF									
I	33012-2001	33012-3001	7C3T-14474-EA	TIN	14	MIL-123A	1.65	2.45	2.90	2.75	2.68
					MIL-135A1	1.65	2.45	2.70	2.60	2.68	
					MIL-123A	1.35	2.45	2.40	2.60	2.22	
					MIL-123A	1.25	2.15	2.00	2.30	1.57	
					SAE J1128 (GXLI)	1.25	2.15	2.40	2.60	1.58	
					MIL-123A	1.15	2.15	1.90	2.10	1.28	
	33012-2002	33012-3002	7C3T-14474-DA	TIN	18	MIL-123A	1.15	2.15	1.90	2.10	1.35
					SAE J1128 (GXLI)	1.15	2.15	2.00	2.30	1.05	
					MIL-123A	1.00	1.60	1.85	1.90	0.88	
					JASO D 611 (AVSSI)	1.60	2.45	2.90	2.75	2.31	
					MIL-126A1	1.40	2.45	2.60	2.60	2.57	
					MIL-126A1	1.30	2.15	2.00	2.30	2.11	
H	33012-2001	33012-3001	7C3T-14474-EA	TIN	2.00mm□	MIL-126A1	1.40	2.45	2.60	2.60	2.57
					1.50mm□	MIL-126A1	1.30	2.15	2.00	2.30	2.11
					1.00mm□	MIL-126A1	1.30	2.15	1.95	2.10	1.42
					0.75mm□	MIL-126A1	1.25	2.15	1.95	2.10	1.42
					0.50mm□	MIL-126A1	1.10	1.60	1.80	1.90	1.11
					JASO D 611 (AVSSI)	1.10	1.60	1.85	1.90	1.25	
	33012-2003	33012-3003	7C3T-14474-CA	TIN	2.00mm□	MIL-123A	1.00	1.60	1.85	1.90	0.88
					1.50mm□	MIL-126A1	1.40	2.45	2.90	2.75	2.31
					1.00mm□	MIL-126A1	1.40	2.45	2.60	2.60	2.57
					0.75mm□	MIL-126A1	1.30	2.15	2.00	2.30	2.11
					0.50mm□	MIL-126A1	1.25	2.15	1.95	2.10	1.42
					JASO D 611 (AVSSI)	1.10	1.60	1.85	1.90	1.25	
G	33012-2003*	33012-3003*	7C3T-14474-CA*	TIN	0.35mm□	WSK-1A348-A2	0.95	1.60	1.70	1.90	0.50
					14	MIL-123A	1.65	2.45	2.90	2.75	2.68
					MIL-135A1	1.65	2.45	2.70	2.60	2.68	
					MIL-123A	1.35	2.45	2.40	2.60	2.22	
					MIL-123A	1.25	2.15	2.00	2.30	1.57	
					SAE J1128 (GXLI)	1.25	2.15	2.40	2.60	1.58	
	33001-2003	33001-3003	7C3T-14474-HA	GOLD	14	MIL-123A	1.15	2.15	1.90	2.10	1.28
					MIL-123A	1.15	2.15	1.90	2.10	1.35	
					MIL-123A	1.15	2.15	2.00	2.30	1.05	
					JASO D 611 (AVSSI)	1.00	1.60	1.85	1.90	0.88	
					MIL-126A1	1.40	2.45	2.90	2.75	2.31	
					MIL-126A1	1.30	2.15	2.00	2.30	2.11	
F	33001-2004	33001-3004	7C3T-14474-GA	GOLD	2.00mm□	MIL-126A1	1.40	2.45	2.60	2.60	2.57
					1.50mm□	MIL-126A1	1.30	2.15	2.00	2.30	2.11
					1.00mm□	MIL-126A1	1.25	2.15	1.95	2.10	1.42
					0.75mm□	MIL-126A1	1.25	2.15	1.95	2.10	1.42
					0.50mm□	MIL-126A1	1.10	1.60	1.80	1.90	1.11
					JASO D 611 (AVSSI)	1.10	1.60	1.85	1.90	1.25	
	33001-2005	33001-3005	7C3T-14474-FA	GOLD	2.00mm□	MIL-123A	1.00	1.60	1.85	1.90	0.88
					1.50mm□	MIL-126A1	1.40	2.45	2.90	2.75	2.31
					1.00mm□	MIL-126A1	1.40	2.45	2.60	2.60	2.57
					0.75mm□	MIL-126A1	1.30	2.15	2.00	2.30	2.11
					0.50mm□	MIL-126A1	1.25	2.15	1.95	2.10	1.42
					JASO D 611 (AVSSI)	1.10	1.60	1.85	1.90	1.25	
E	33001-2005*	33001-3005*	7C3T-14474-FA*	GOLD	0.35mm□	WSK-1A348-A2	0.95	1.60	1.70	1.90	0.50
					14	MIL-123A	1.65	2.45	2.90	2.75	2.68
					MIL-135A1	1.65	2.45	2.70	2.60	2.68	
					MIL-123A	1.35	2.45	2.40	2.60	2.22	
					MIL-123A	1.25	2.15	2.00	2.30	1.57	
					SAE J1128 (GXLI)	1.25	2.15	2.40	2.60	1.58	
	33001-4001	33001-5001	7U5T-14474-UA	SILVER**	14	MIL-123A	1.15	2.15	1.90	2.10	1.28
					MIL-123A	1.15	2.15	1.90	2.10	1.35	
					MIL-123A	1.15	2.15	2.00	2.30	1.05	
					JASO D 611 (AVSSI)	1.00	1.60	1.85	1.90	0.88	
					MIL-126A1	1.40	2.45	2.90	2.75	2.31	
					MIL-126A1	1.30	2.15	2.00	2.30	2.11	
D	33001-4002	33001-5002	7U5T-14474-TA	SILVER**	2.00mm□	MIL-126A1	1.40	2.45	2.60	2.60	2.57
					1.50mm□	MIL-126A1	1.30	2.15	2.00	2.30	2.11
					1.00mm□	MIL-126A1	1.30	2.15	1.95	2.10	1.42
					0.75mm□	MIL-126A1	1.25	2.15	1.95	2.10	1.42
					0.50mm□	MIL-126A1	1.10	1.60	1.80	1.90	1.11
					JASO D 611 (AVSSI)	1.10	1.60	1.85	1.90	1.25	
	33001-4003	33001-5003	7U5T-14474-SA	SILVER**	2.00mm□	MIL-123A	1.00	1.60	1.85	1.90	0.88
					1.50mm□	MIL-126A1	1.40	2.45	2.90	2.75	2.31
					1.00mm□	MIL-126A1	1.40	2.45	2.60	2.60	2.57
					0.75mm□	MIL-126A1	1.30	2.15	2.00	2.30	2.11
					0.50mm□	MIL-126A1	1.25	2.15	1.95	2.10	1.42
					JASO D 611 (AVSSI)	1.10	1.60	1.85	1.90	1.25	
C	33001-4003*	33001-5003*	7U5T-14474-SA*	SILVER**	0.35mm□	WSK-1A348-A2	0.95	1.60	1.70	1.90	0.50
					14	MIL-123A	1.65	2.45	2.90	2.75	2.68
					MIL-135A1	1.65	2.45	2.70	2.60	2.68	
					MIL-123A	1.35	2.45	2.40	2.60	2.22	
					MIL-123A	1.25	2.15	2.00	2.30	1.57	
					SAE J1128 (GXLI)	1.25	2.15	2.40	2.60	1.58	
	33001-2021	33001-3021	7C3T-14474-LA	TIN	14	MIL-123A	1.15	2.15	1.90	2.10	1.28
					MIL-123A	1.15	2.15	1.90	2.10	1.35	
					MIL-123A	1.15	2.15	2.00	2.30	1.05	
					JASO D 611 (AVSSI)	1.00	1.60	1.85	1.90	0.88	
					MIL-126A1	1.40	2.45	2.90	2.75	2.31	
					MIL-126A1	1.30	2.15	2.00	2.30	2.11	
B	33012-2022	33012-3022	7C3T-14474-KA	TIN	18	MIL-123A	1.25	2.15	2.00	2.30	1.57
					SAE J1128 (GXLI)	1.25	2.15	2.40	2.60	1.58	
					MIL-123A	1.15	2.15	1.90	2.10	1.28	
					HFLON WIRE ¹	1.15	2.15	1.90	2.10	1.35	
					SAE J1128 (GXLI)	1.15	2.15	2.00	2.30	1.05	
					MIL-123A	1.00	1.60	1.85	1.90	0.88	
	33012-2023	33012-3023	7C3T-14474-JA	TIN	2.00mm□	JASO D 611 (AVSSI)	1.60	2.45	2.90	2.75	2.31
					1.50mm□	MIL-126A1	1.40	2.45	2.60	2.60	2.57
					1.00mm□	MIL-126A1	1.30	2.15	2.00	2.30	2.11
					0.75mm□	MIL-126A1	1.25	2.15	1.95	2.10	1.42
					0.50mm□	MIL-126A1	1.10	1.60	1.80	1.90	1.11
					JASO D 611 (AVSSI)	1.10	1.60	1.85	1.90	1.25	
A	33012-2023*	33012-3023*	7C3T-14474-JA*	TIN	0.35mm□	WSK-1A348-A2	0.95	1.60	1.70	1.90	0.50
					14	MIL-123A	1.65	2.45	2.90	2.75	2.68
					MIL-135A1	1.65	2.45	2.70	2.60	2.68	
					MIL-123A	1.35	2.45	2.40	2.60	2.22	
					MIL-123A	1.25	2.15	2.00	2.30	1.57	
					SAE J1128 (GXLI)	1.25	2.15	2.40	2.60	1.58	
	33001-2021	33001-3021	7C3T-14474-PA	GOLD	14	MIL-123A	1.15	2.15	1.90	2.10	1.28
					MIL-123A	1.15	2.15	1.90	2.10	1.35	
					MIL-123A	1.15	2.15	2.00	2.30	1.05	
					JASO D 611 (AVSSI)	1.00	1.60	1.85	1.90	0.88	
					MIL-126A1	1.40	2.45	2.90	2.75	2.31	
					MIL-126A1	1.30	2.15	2.00	2.30	2.11	
33001-2022	33001-3022	7C3T-14474-NA	GOLD	2.00mm□	MIL-126A1	1.40	2.45	2.60	2.60	2.57	
				1.50mm□	MIL-126A1	1.30	2.15	2.00	2.30	2.11	
				1.00mm□	MIL-126A1	1.25	2.15	1.95	2.10	1.42	
				0.75mm□	MIL-126A1	1.25	2.15	1.95	2.10	1.42	
				0.50mm□	MIL-126A1	1.10	1.60	1.80	1.90	1.11	
				JASO D 611 (AVSSI)	1.10	1.60	1.85	1.90	1.25		
33001-2023*	33001-3023*	7C3T-14474-MA*	GOLD	0.35mm□	WSK-1A348-A2	0.95	1.60	1.70	1.90	0.50	
				14	MIL-123A	1.65	2.45	2.90	2.75	2.68	
				MIL-135A1	1.65	2.45	2.70	2.60	2.68		
				MIL-123A	1.35	2.45	2.40	2.60	2.22		
				MIL-123A	1.25	2.15	2.00	2.30	1.57		
				SAE J1128 (GXLI)	1.25	2.15	2.40	2.60	1.58		
33001-4021	33001-5021	7U5T-14474-RA	SILVER**	14	MIL-123A	1.15	2.15	1.90	2.10	1.28	
				MIL-123A	1.15	2.15	1.90	2.10	1.35		
				MIL-123A	1.15	2.15	2.00	2.30	1.05		
				JASO D 611 (AVSSI)	1.00	1.60	1.85	1.90	0.88		
				MIL-126A1	1.40	2.45	2.90	2.75	2.31		
				MIL-126A1	1.30	2.15	2.00	2.30	2.11		
33001-4022	33001-5022	7U5T-14474-PA	SILVER**	2.00mm□	MIL-126A1	1.40	2.45	2.60	2.60	2.57	
				1.50mm□	MIL-126A1	1.30	2.15	2.00	2.30	2.11	
				1.00mm□	MIL-126A1	1.25	2.15	1.95	2.10	1.42	
				0.75mm□	MIL-126A1	1.25	2.15	1.95	2.10	1.42	
				0.50mm□	MIL-126A1	1.10	1.60	1.80	1.90	1.11	
				JASO D 611 (AVSSI)	1.10	1.60	1.85	1.90	1.25		

LARGE POLARIZATION RIB											
RIGHT PAYOFF		LEFT PAYOFF									
33001-4023	33001-5023	7U5T-14474-NA	SILVER**	0.50mm□	MIL-126A1	JASO D 611 (AVSSI)	1.10	1.60	1.80	1.90	1.11
33001-4023*	33001-5023*	7U5T-14474-NA*	SILVER**	0.35mm□	WSK-1A348-A2		0.95	1.60			

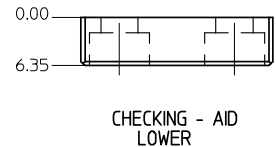
THIS CHECKING - AID IS FOR SMALL POLARIZATION RIB TERMINALS ONLY



CHECKING - AID ASSEMBLY
SCALE 1:1

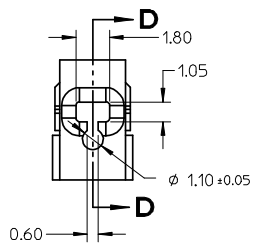
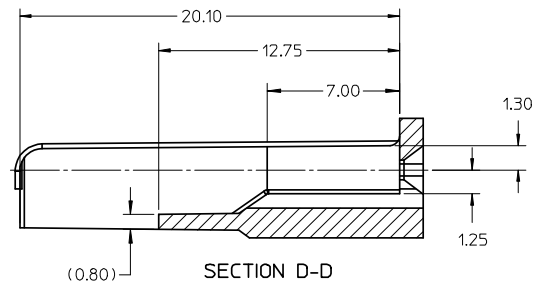
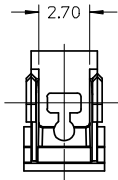


- CRIMP REQUIREMENTS:
1. CRIMP STRAIGHTNESS MUST BE MAINTAINED
USE A KNOCKDOWN TOOL LOCATED AS SHOWN
TERMINAL BOX MUST NOT BE DEFORMED
 2. AFTER CRIMPING, THE CRIMPED TERMINAL (AND UP TO 5 mm OF WIRE PAST THE INSULATOR CUTOFF TAB) MUST FIT FREELY INTO THE CHECKING-AID SHOWN ON THIS PAGE
 3. FOR OTHER MECHANICAL REQUIREMENTS ON CRIMPED TERMINALS, REFER TO SAE/USCAR-21 (5-13-02) SECTIONS 4.2 (VISUAL INSPECTION), 4.2 (CROSS SECTION ANALYSIS) AND 4.4 (CONDUCTOR CRIMP PULLOUT FORCE)

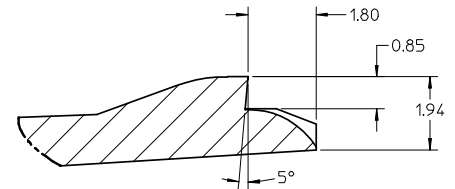
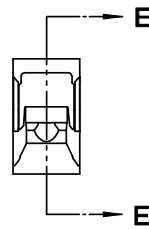
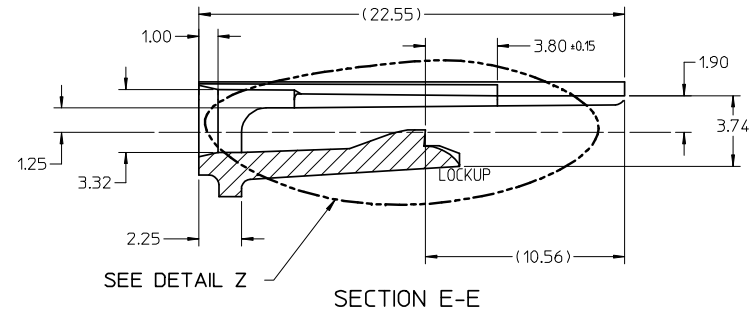
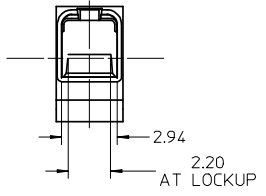


UPPER & LOWER
CHECKING-AID
A2 TOOL STEEL
HARDEN & GRIND
ROCKWELL "C" 56-58

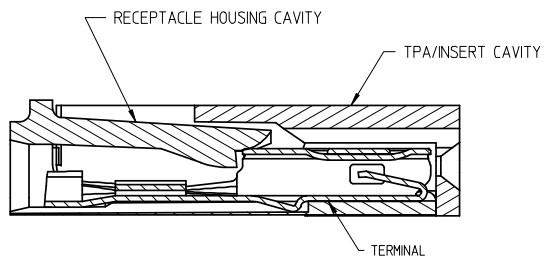
ENTER DESCRIPTION EC NO: UAU2008-0370 DRAWN: PULLIAM 2007/12/12 CHECKED: A. DHIR 2008/01/07 APPR: BMOSE 2008/01/07 REV	QUALITY SYMBOLS ▽=0 ▽=0	GENERAL TOLERANCES (UNLESS SPECIFIED) <table border="1"> <tr> <th></th> <th>mm</th> <th>INCH</th> </tr> <tr> <td>4 PLACES</td> <td>± .005</td> <td>± .0005</td> </tr> <tr> <td>3 PLACES</td> <td>± 0.005</td> <td>± .0005</td> </tr> <tr> <td>2 PLACES</td> <td>± 0.10</td> <td>± .004</td> </tr> <tr> <td>1 PLACE</td> <td>± 0.3</td> <td>± .012</td> </tr> </table> ANGULAR ± 3°		mm	INCH	4 PLACES	± .005	± .0005	3 PLACES	± 0.005	± .0005	2 PLACES	± 0.10	± .004	1 PLACE	± 0.3	± .012	DIMENSION STYLE MM ONLY DRAWN BY DATE L. PULLIAM 2005/06/21 CHECKED BY DATE A. DHIR 2005/06/21 APPROVED BY DATE B. MOSER 2005/06/22	SCALE 2:1 DESIGN UNITS METRIC THIRD ANGLE PROJECTION	TITLE MX150 RECEPTACLE TERMINAL
		mm	INCH																	
	4 PLACES	± .005	± .0005																	
	3 PLACES	± 0.005	± .0005																	
2 PLACES	± 0.10	± .004																		
1 PLACE	± 0.3	± .012																		
MATERIAL NO. SEE TABLE	DOCUMENT NO. SD-33012-002	SHEET NO. 3 OF 5	MOLEX INCORPORATED																	
THIS DRAWING CONTAINS INFORMATION THAT IS PROPRIETARY TO MOLEX INCORPORATED AND SHOULD NOT BE USED WITHOUT WRITTEN PERMISSION																				
MILEX																				



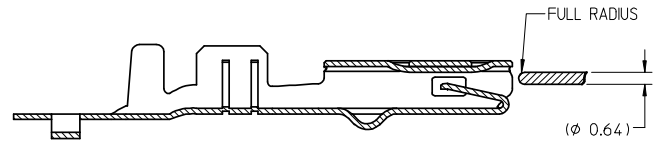
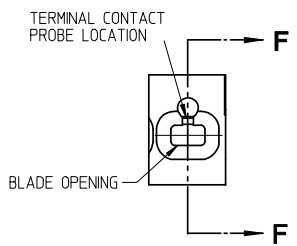
- NOTES: UNLESS OTHERWISE SPECIFIED
1. TOLERANCES: LINEAR ± 0.10
ANGULAR $\pm 3^\circ$
 2. ALL DRAFT WITHIN TOLERANCE.
 3. MAX RADII ON ALL CORNERS SHOWN SHARP: 0.10
 4. MAX FLASH PERMISSIBLE: 0.1
 5. EJECTOR PIN MARKS PERMISSIBLE IF FLUSH TO 0.25 BELOW SURFACE.
 6. MATERIAL: HOUSING/FINGER SPECIFICATION ENGINEERED FOR MATERIAL WITH THE FOLLOWING PROPERTIES:
A. FLEXURAL MODULUS = 4,500 TO 9,400 MPa
PER ASTM TEST D790
B. ELONGATION AT YIELD = 2.3% OR BETTER
PER ASTM TEST D638 TYPE V
 7. CAVITY SPEC FOR USE ONLY WITH MOLEX RECEPTACLE
TERMINAL PART NUMBERS SPECIFIED ELSEWHERE ON THIS
DRAWING



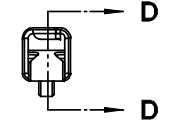
DETAIL Z
SCALE 20:1



SECTION F-F
RECEPTACLE CAVITY ASSEMBLED VIEWS
FOR SMALL POLARIZATION RIB APPLICATIONS
FIG. 1



SECTION D-D
FOR LARGE POLARIZATION RIB APPLICATIONS
FIG. 2



PROBING DOWN THE THROAT MUST USE THIS TERMINAL PROBE

PROBE PIN DETAILS:
MANUFACTURER: LONE STAR INDUSTRIAL
PART NUMBER: LS054R-403-N-4.6
PIN DIAMETER: 0.250IN (0.64mm)
TIP SHAPE: SPHERICAL
TEL: 915-779-7255

PREFERRED PROBING LOCATION IS NOT ON SPRING MEMBER

IF ELECTRICAL CONTINUITY PROBE TOUCHES SPRING MEMBER USE PROBING AS SHOWN IN FIG. 2

REV	DESCRIPTION
B	ENTER DESCRIPTION EC NO: JAU2008-0370 DRWN: L PULLIAM 2007/12/12 CHKD: A. DHIR 2008/01/07 APPR: B MOSER 2008/01/07

QUALITY SYMBOLS	
$\blacktriangledown = 0$	
$\blacktriangledown = 0$	

GENERAL TOLERANCES (UNLESS SPECIFIED)	
	mm
4 PLACES	± 0.10
3 PLACES	± 0.005
2 PLACES	± 0.10
1 PLACE	± 0.3
ANGULAR $\pm 3^\circ$	

DIMENSION STYLE		SCALE	DESIGN UNITS	THIRD ANGLE PROJECTION
MM ONLY		5:1	METRIC	
DRAWN BY	DATE	TITLE		
L. PULLIAM	2005/06/21	MX150 RECEPTACLE TERMINAL		
CHECKED BY	DATE	MOLEX INCORPORATED		
A. DHIR	2005/06/21	MATERIAL NO. SD-33012-002		
APPROVED BY	DATE	SHEET NO. 4 OF 5		
B. MOSER	2005/06/22			
MATERIAL NO. SEE TABLE		THIS DRAWING CONTAINS INFORMATION THAT IS PROPRIETARY TO MOLEX INCORPORATED AND SHOULD NOT BE USED WITHOUT WRITTEN PERMISSION		

TABLE 2 - TERMINAL GRIP/CRIMP TOOL DIM. REFERENCE TABLE

J	SUPPLIER PART NO.		FORD PART NO.	PLATING (STAMPING)	WIRE APPLICATION		WIRE SPECIFICATION		A±0.30	B±0.30	C±0.30	D±0.30	E±0.005	F±0.005	G±0.005	J±0.005	K±0.005	M±0.005	N±0.005	P±0.005	R±0.005	U±0.005	V±0.005
	SMALL POLARIZATION RIB	RIGHT PAYOFF			LEFT PAYOFF	SAE	METRIC																
J	33012-2001	33012-3001	7C3T-1474-EA	TIN	14	2.0	ML-123A JASO D 611 (AVSS)	3.9	4.4	1.7	1.6		12.82	0.6	1.19	7.05	13.12	1.35	6.91	2.44	6.11	2.72	1.40
					14	-	ML-135A1	3.9	4.4	1.7	1.6	12.82	0.6	1.19	7.05	12.96	1.28	6.51	2.44	6.11	2.52	1.30	
I	33012-2002	33012-3002	7C3T-1474-DA	TIN	16	1.5	ML-123A/ML-126A1	3.9	4.4	1.7	1.6	12.82	0.6	1.19	7.05	12.96	1.28	6.51	2.44	6.11	2.52	1.30	
					18	1.0	ML-123A/ML-126A1	3.3	3.1	1.3	1.4	12.46	0.57	0.99	6.52	12.65	1.13	6.46	2.14	1.93	2.23	1.15	
I	33012-2003	33012-3003	7C3T-1474-CA	TIN	18	-	SAE J1128 (IGXL)	3.3	3.1	1.3	1.4	12.46	0.57	0.99	6.52	12.96	1.28	6.51	2.14	1.93	2.52	1.30	
					20	0.75	ML-123A/ML-126A1	3.3	3.1	1.3	1.4	12.46	0.57	0.99	6.52	12.42	1.03	6.36	2.14	1.93	2.04	1.05	
H	33012-2005	33012-3005	7C3T-1474-FA	GOLD	20	-	SAE J1128 (IGXL)	3.3	3.1	1.3	1.4	12.46	0.57	0.99	6.52	12.65	1.13	6.46	2.14	1.93	2.23	1.15	
					22	0.5	ML-123A/ML-126A1 JASO D 611 (AVSS)	2.5	2.6	0.9	1.0	11.97	0.42	0.72	6.57	12.24	0.93	6.31	1.60	1.44	1.84	0.95	
H	33012-2005*	33012-3005*	7C3T-1474-FA*	GOLD	-	0.35	WSK-14348-A2	2.5	2.6	0.9	1.0	11.97	0.42	0.72	6.57	12.24	0.93	6.31	1.60	1.44	1.84	0.95	
					14	2.0	ML-123A JASO D 611 (AVSS)	3.9	4.4	1.7	1.6	12.82	0.6	1.19	7.05	13.12	1.35	6.91	2.44	6.11	2.72	1.40	
H	33001-2003	33001-3003	7C3T-1474-HA	GOLD	14	-	ML-135A1	3.9	4.4	1.7	1.6	12.82	0.6	1.19	7.05	12.96	1.28	6.51	2.44	6.11	2.52	1.30	
					16	1.5	ML-123A/ML-126A1	3.9	4.4	1.7	1.6	12.82	0.6	1.19	7.05	12.96	1.28	6.51	2.44	6.11	2.52	1.30	
H	33001-2004	33001-3004	7C3T-1474-GA	GOLD	18	1.0	ML-123A/ML-126A1	3.3	3.1	1.3	1.4	12.46	0.57	0.99	6.52	12.65	1.13	6.46	2.14	1.93	2.23	1.15	
					20	0.75	ML-123A/ML-126A1	3.3	3.1	1.3	1.4	12.46	0.57	0.99	6.52	12.42	1.03	6.36	2.14	1.93	2.04	1.05	
H	33001-2005	33001-3005	7C3T-1474-FA	GOLD	20	-	SAE J1128 (IGXL)	3.3	3.1	1.3	1.4	12.46	0.57	0.99	6.52	12.65	1.13	6.46	2.14	1.93	2.23	1.15	
					22	0.5	ML-123A/ML-126A1 JASO D 611 (AVSS)	2.5	2.6	0.9	1.0	11.97	0.42	0.72	6.57	12.24	0.93	6.31	1.60	1.44	1.84	0.95	
H	33001-2005*	33001-3005*	7C3T-1474-FA*	GOLD	-	0.35	WSK-14348-A2	2.5	2.6	0.9	1.0	11.97	0.42	0.72	6.57	12.24	0.93	6.31	1.60	1.44	1.84	0.95	
					14	2.0	ML-123A JASO D 611 (AVSS)	3.9	4.4	1.7	1.6	12.82	0.6	1.19	7.05	13.12	1.35	6.91	2.44	6.11	2.72	1.40	
G	33001-4001	33001-5001	7U5T-1474-UA	SILVER	14	-	ML-135A1	3.9	4.4	1.7	1.6	12.82	0.6	1.19	7.05	12.96	1.28	6.51	2.44	6.11	2.52	1.30	
					16	1.5	ML-123A/ML-126A1	3.9	4.4	1.7	1.6	12.82	0.6	1.19	7.05	12.96	1.28	6.51	2.44	6.11	2.52	1.30	
G	33001-4002	33001-5002	7U5T-1474-TA	SILVER	18	1.0	ML-123A/ML-126A1	3.3	3.1	1.3	1.4	12.46	0.57	0.99	6.52	12.65	1.13	6.46	2.14	1.93	2.23	1.15	
					20	0.75	ML-123A/ML-126A1	3.3	3.1	1.3	1.4	12.46	0.57	0.99	6.52	12.42	1.03	6.36	2.14	1.93	2.04	1.05	
G	33001-4003	33001-5003	7U5T-1474-SA	SILVER	20	-	SAE J1128 (IGXL)	3.3	3.1	1.3	1.4	12.46	0.57	0.99	6.52	12.65	1.13	6.46	2.14	1.93	2.23	1.15	
					22	0.5	ML-123A/ML-126A1 JASO D 611 (AVSS)	2.5	2.6	0.9	1.0	11.97	0.42	0.72	6.57	12.24	0.93	6.31	1.60	1.44	1.84	0.95	
G	33001-4003*	33001-5003*	7U5T-1474-SA*	SILVER	-	0.35	WSK-14348-A2	2.5	2.6	0.9	1.0	11.97	0.42	0.72	6.57	12.24	0.93	6.31	1.60	1.44	1.84	0.95	
					LARGE POLARIZATION RIB																		
F	33012-2021	33012-3021	7C3T-1474-LA	TIN	14	2.0	ML-123A JASO D 611 (AVSS)	3.9	4.4	1.7	1.6	12.82	0.6	1.19	7.05	13.12	1.35	6.91	2.44	6.11	2.72	1.40	
					14	-	ML-135A1	3.9	4.4	1.7	1.6	12.82	0.6	1.19	7.05	12.96	1.28	6.51	2.44	6.11	2.52	1.30	
F	33012-2022	33012-3022	7C3T-1474-KA	TIN	16	1.5	ML-123A/ML-126A1	3.9	4.4	1.7	1.6	12.82	0.6	1.19	7.05	12.96	1.28	6.51	2.44	6.11	2.52	1.30	
					18	1.0	ML-123A/ML-126A1	3.3	3.1	1.3	1.4	12.46	0.57	0.99	6.52	12.65	1.13	6.46	2.14	1.93	2.23	1.15	
F	33012-2023	33012-3023	7C3T-1474-JA	TIN	18	-	SAE J1128 (IGXL)	3.3	3.1	1.3	1.4	12.46	0.57	0.99	6.52	12.96	1.28	6.51	2.14	1.93	2.52	1.30	
					20	0.75	ML-123A/ML-126A1	3.3	3.1	1.3	1.4	12.46	0.57	0.99	6.52	12.42	1.03	6.36	2.14	1.93	2.04	1.05	
F	33012-2023*	33012-3023*	7C3T-1474-JA*	TIN	20	-	SAE J1128 (IGXL)	3.3	3.1	1.3	1.4	12.46	0.57	0.99	6.52	12.65	1.13	6.46	2.14	1.93	2.23	1.15	
					22	0.5	ML-123A/ML-126A1 JASO D 611 (AVSS)	2.5	2.6	0.9	1.0	11.97	0.42	0.72	6.57	12.24	0.93	6.31	1.60	1.44	1.84	0.95	
E	33001-2021	33001-3021	7C3T-1474-PA	GOLD	14	2.0	ML-123A JASO D 611 (AVSS)	3.9	4.4	1.7	1.6	12.82	0.6	1.19	7.05	13.12	1.35	6.91	2.44	6.11	2.72	1.40	
					14	-	ML-135A1	3.9	4.4	1.7	1.6	12.82	0.6	1.19	7.05	12.96	1.28	6.51	2.44	6.11	2.52	1.30	
E	33001-2022	33001-3022	7C3T-1474-NA	GOLD	16	1.5	ML-123A/ML-126A1	3.9	4.4	1.7	1.6	12.82	0.6	1.19	7.05	12.96	1.28	6.51	2.44	6.11	2.52	1.30	
					18	1.0	ML-123A/ML-126A1	3.3	3.1	1.3	1.4	12.46	0.57	0.99	6.52	12.65	1.13	6.46	2.14	1.93	2.23	1.15	
E	33001-2023	33001-3023	7C3T-1474-MA	GOLD	20	0.75	ML-123A/ML-126A1	3.3	3.1	1.3	1.4	12.46	0.57	0.99	6.52	12.96	1.28	6.51	2.14	1.93	2.52	1.30	
					20	-	SAE J1128 (IGXL)	3.3	3.1	1.3	1.4	12.46	0.57	0.99	6.52	12.42	1.03	6.36	2.14	1.93	2.04	1.05	
E	33001-2023*	33001-3023*	7C3T-1474-MA*	GOLD	20	-	SAE J1128 (IGXL)	3.3	3.1	1.3	1.4	12.46	0.57	0.99	6.52	12.65	1.13	6.46	2.14	1.93	2.23	1.15	
					22	0.5	ML-123A/ML-126A1 JASO D 611 (AVSS)	2.5	2.6	0.9	1.0	11.97	0.42	0.72	6.57	12.24	0.93	6.31	1.60	1.44	1.84	0.95	
D	33001-4021	33001-5021	7U5T-1474-RA	SILVER	-	0.35	WSK-14348-A2	2.5	2.6	0.9	1.0	11.97	0.42	0.72	6.57	12.24	0.93	6.31	1.60	1.44	1.84	0.95	
					14	2.0	ML-123A JASO D 611 (AVSS)	3.9	4.4	1.7	1.6	12.82	0.6	1.19	7.05	13.12	1.35	6.91	2.44	6.11	2.72	1.40	
D	33001-4022	33001-5022	7U5T-1474-PA	SILVER	14	-	ML-135A1	3.9	4.4	1.7	1.6	12.82	0.6	1.19	7.05	12.96	1.28	6.51	2.44	6.11	2.52	1.30	
					16	1.5	ML-123A/ML-126A1	3.9	4.4	1.7	1.6	12.82	0.6	1.19	7.05	12.96	1.28	6.51	2.44	6.11	2.52	1.30	
D	33001-4023	33001-5023	7U5T-1474-NA	SILVER	18	1.0	ML-123A/ML-126A1	3.3	3.1	1.3	1.4	12.46	0.57	0.99	6.52	12.65	1.13	6.46	2.14	1.93	2.23	1.15	
					20	0.75	ML-123A/ML-126A1	3.3	3.1	1.3	1.4	12.46	0.57	0.99	6.52	12.42	1.03	6.36	2.14	1.93	2.04	1.05	
D	33001-4023*	33001-5023*	7U5T-1474-NA*	SILVER	20	-	SAE J1128 (IGXL)	3.3	3.1	1.3	1.4	12.46	0.57	0.99	6.52	12.65	1.13	6.46	2.14	1.93	2.23	1.15	
					22	0.5	ML-123A/ML-126A1 JASO D 611 (AVSS)	2.5	2.6	0.9	1.0	11.97	0.42	0.72	6.57	12.24	0.93	6.31	1.60	1.44	1.84	0.95	
C	33001-4023*	33001-5023*	7U5T-1474-NA*	SILVER	-	0.35	WSK-14348-A2	2.5	2.6	0.9	1.0	11.97	0.42	0.72	6.57	12.24	0.93	6.31	1.60	1.44	1.84	0.95	

* 0.35mm□ WIRE MUST NOT BE USED IN MX150 SEALED CONNECTOR SYSTEMS

ENTER DESCRIPTION EC NO: UAU2008-0370 DRAWN: PULLIAM 2007/12/12 CHK'D: A. DHIR 2008/01/07 APPR: BMOSER 2008/01/07 REV:	QUALITY SYMBOLS ▽=0 ▽=0
---	-------------------------------