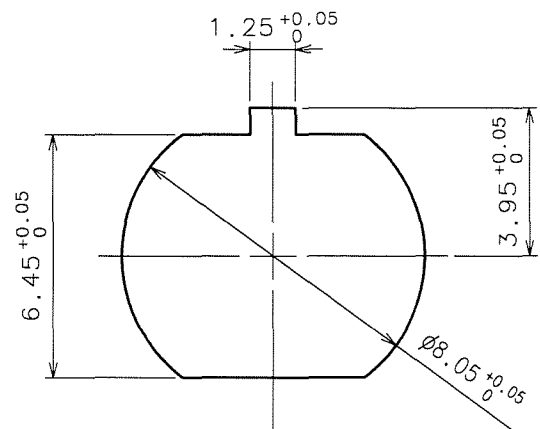
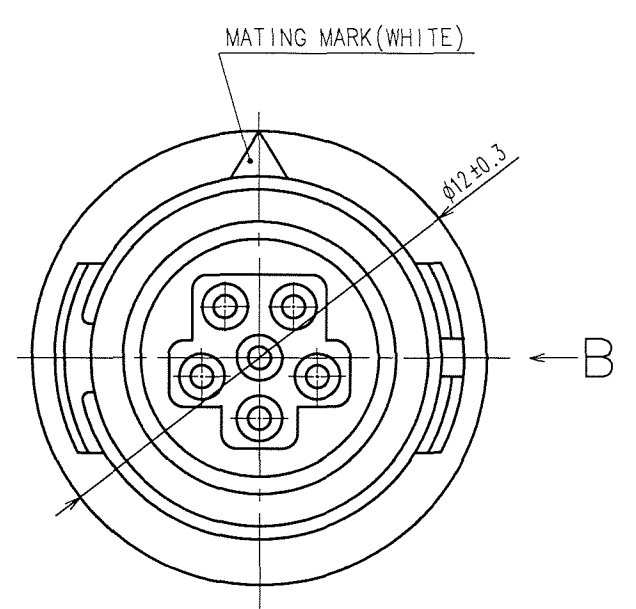
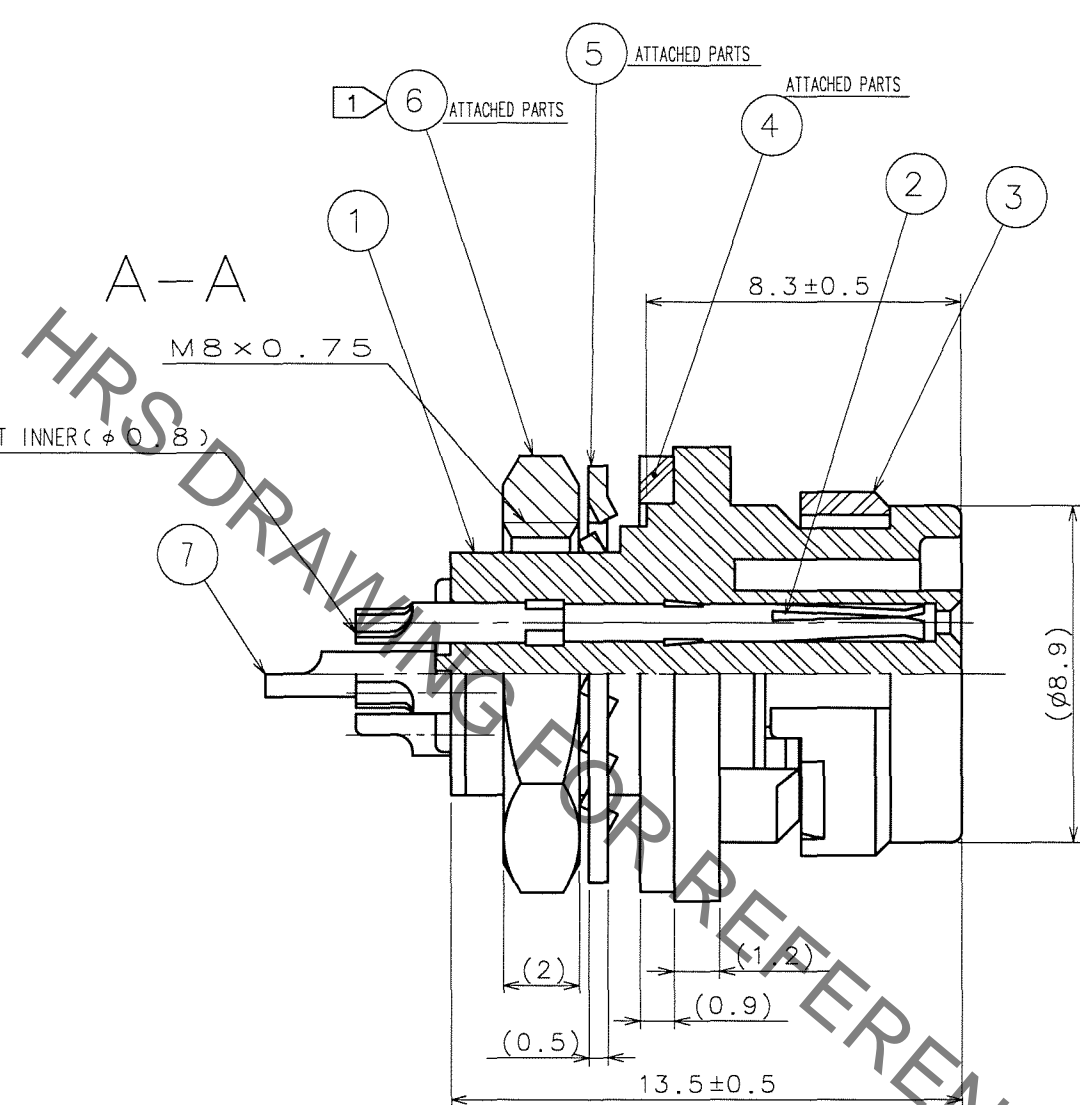
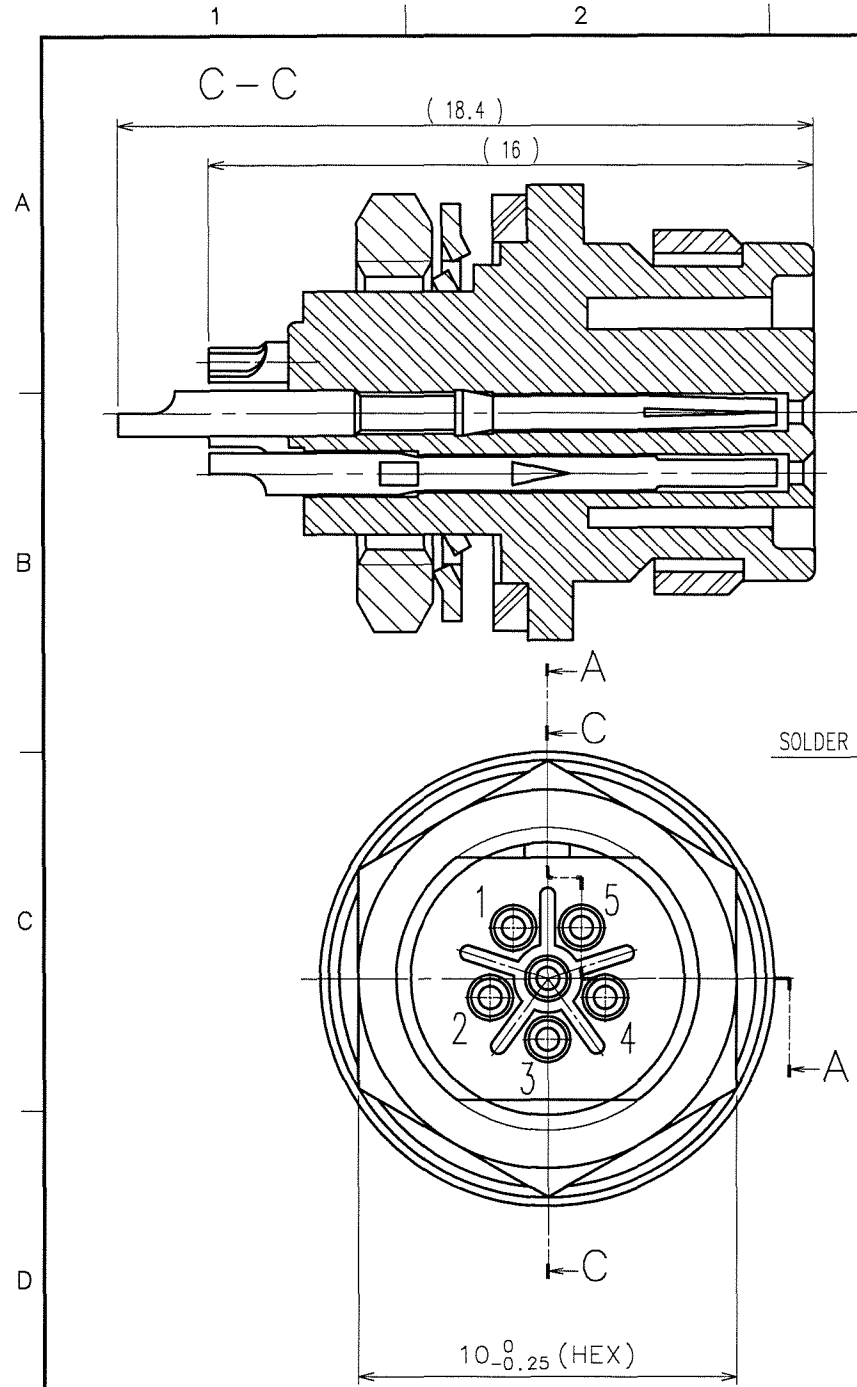
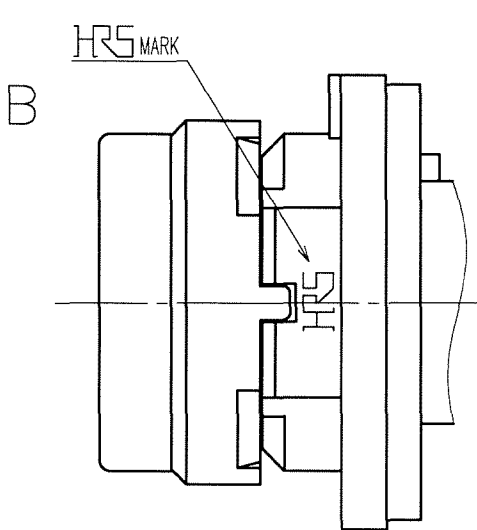


Feb.1.2023 Copyright 2023 HIROSE ELECTRIC CO., LTD. All Rights Reserved.
In case of consideration for using Automotive equipment / device which demand high reliability, kindly contact our sales window correspondents.

| COUNT | DESCRIPTION OF REVISIONS | BY | CHKD | DATE | COUNT | DESCRIPTION OF REVISIONS | BY | CHKD | DATE |
|-------|--------------------------|-----|------|----------|-------|--------------------------|----|------|------|
| 1 | DIS-C-000585 | T.K | E.K | 07.07.27 | | | | | |
| | | | | | | | | | |
| | | | | | | | | | |



PANEL INSTALLATION HOLE
PANEL THICKNESS (0.7~2)



- NOTES
- 1 THE RECOMMENDED CLAMP TORQUE OF REF. NO. 6 TO BE 0.5N · m. LOCTITE 271, LOCTPRIMER 7649, LOCTITE JAPAN IS RECOMMENDED TO PREVENT REF. NO. 6 FROM LOOSENING.
 - 2 TABLE FOR SOLDERING IS AVAILABLE HR30-6R-6S-T01.
 - 3 SURFACE PLATING: GOLD PLATING 0.2μ m min. UNDER PLATING: NICKEL PLATING 2μ m min.

| 4 | CR | (BLACK) | | 7 | BERYLLIUM COPPER | 3 |
|-----|--------------|-----------------|---------|-----|------------------|-----------------|
| 3 | PPS | (BLACK) | UL94V-0 | 6 | BRASS | NICKEL PLATING |
| 2 | BRONZE ALLOY | 3 | | 5 | PHOSPHOR BRONZE | NICKEL PLATING |
| 1 | PPS | (BLACK) | UL94V-0 | | | |
| NO. | MATERIAL | FINISH, REMARKS | | NO. | MATERIAL | FINISH, REMARKS |

| CODE NO. (OLD) | DRAWN | DESIGNED | CHECKED | APPROVED | RELEASED |
|----------------|---------|----------|----------|----------|----------|
| | M.HANYU | H.NAGANO | E.KUNII | M.SATO | |
| | '05 8 8 | '05 8 8 | '05 8 10 | '05 8 10 | |

| | | |
|-------|--------------------------|-----------------|
| SCALE | DRAWING NO. | PART NO. |
| 5 : 1 | EDC3-112022-71 | HR30-6R-6S(71) |
| UNITS | HIROSE ELECTRIC CO., LTD | CODE NO. |
| mm | | CL130-1008-8-71 |

| |
|----|
| TO |
| R |
| |
| |

1/1