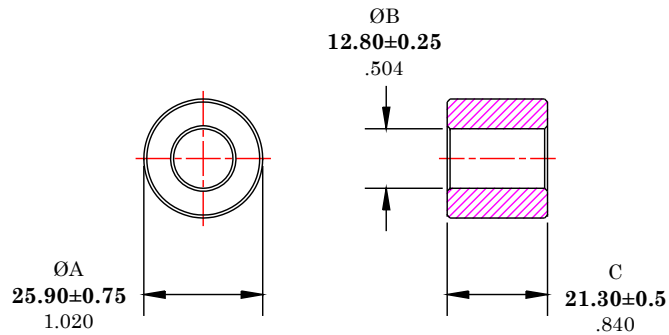


** Not all features are shown in this drawing. For more detailed information, please contact your Fair-Rite representative.

UNCONTROLLED ~CATALOG~ DRAWING

SIZE	PART NO.	REV.
B	2661102402	~



DIMENSIONS
BOLD NUMBERS ARE IN MILLIMETERS
 LIGHT NUMBERS ARE IN INCHES

ELECTRICAL SPECIFICATIONS							
$\Sigma l/A(\text{mm}^{-1})$	l_e (mm)	A_e (mm ²)	V_e (mm ³)	L_o (nH)	IMPEDANCE (OHMS)		
					100 MHz	250 MHz	500 MHz
0.41853	56.0	134	7502	3.003	100 Min.	160 Min.	248 Min.
N=1 #22AWG WL=2.50"							

NOTES:

- 1 - BURNISH TO BREAK SHARP EDGES.
- 2 - IMPEDANCE MEASURED ON A HP4191A, USING A 16092A TEST FIXTURE, WITH FIXTURE COMPENSATION.

FR# 61

FAIR-RITE PRODUCTS CORP.							
TITLE ROUND SUPPRESSION CORE							
DRAWN BY D. FOOTE	DATE 3/6/2020	SIZE	PART NO.			REV.	
CHKD BY		B	2661102402			~	
APPRVD BY		SCALE	NONE	SHEET		1 of 1	