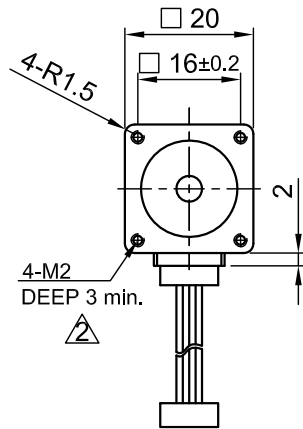
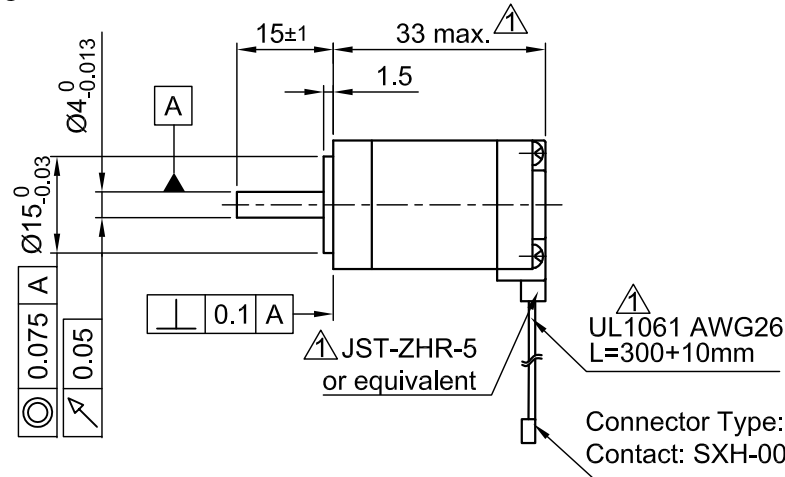


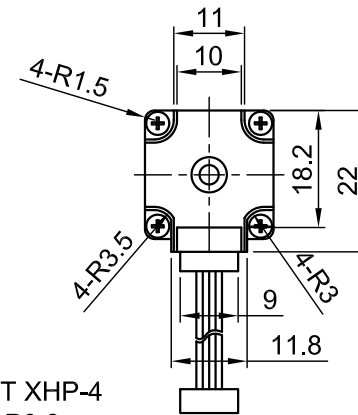
Front view and mounting



Side view

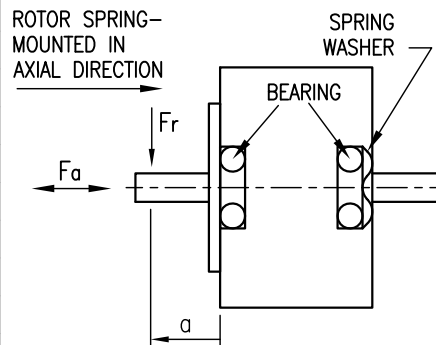


Rear view



SPECIFICATION	CONNECTION	BIPOLAR
VOLTAGE (VDC)		3.9
AMPS/PHASE		0.6
RESISTANCE/PHASE (Ohms)@25°C		6.5±15%
INDUCTANCE/PHASE (mH) @1KHz		1.7±20%
HOLDING TORQUE (Nm) [lb-in]		0.018 [0.159]
DETENT TORQUE (Nm) [lb-in]		9x10 ⁻⁴ [7.95x10 ⁻³]
STEP ANGLE (°)		1.8
STEP ACCURACY (NON-ACCUM)		±5%
ROTOR INERTIA (Kg-m ²) [lb-in ²]		2.0x10 ⁻⁷ [6.831x10 ⁻⁴]
WEIGHT (Kg) [lb]		0.06 [0.132]

PERMISSIBLE RADIAL+AXIAL FORCE



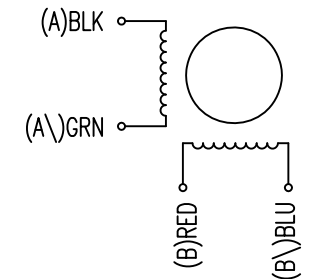
TEMPERATURE RISE: MAX.80°C (MOTOR STANDSTILL; FOR 2 PHASE ENERGIZED)	AXIAL-FORCE Fa (N)	Fa=4
AMBIENT TEMPERATURE -10°~ 50°C [14°F ~ 122°F]	DISTANCE a (mm)	5 10 15 20
INSULATION RESISTANCE 100 MOhm (UNDER NORMAL TEMPERATURE AND HUMIDITY)	RADIAL-FORCE Fr (N)	30 18 14 8
INSULATION CLASS B 130° [266°F]		AXIAL RADIAL
DIELECTRIC STRENGTH 500VAC FOR 1 MIN. (BETWEEN THE MOTOR COILS AND THE MOTOR CASE)	SHAFT PLAY (mm)	0.075 0.025
AMBIENT HUMIDITY MAX. 85% (NO CONDENSATION)	AT LOAD MAX: (N)	10 5.0

TYPE OF CONNECTION (EXTERN)	MOTOR			
	BIPOLAR	CONNECTOR PIN NO.	LEADS	WINDING
A —	1	BLK	A	
A\ —	2	GRN	A\	
B —	3	RED	B	
B\ —	4	BLU	B\	

FULL STEP 2 PHASE-Ex., WHEN FACING MOUNTING END (X)

STEP	A	B	A\	B\	
1	+	+	-	-	CCW
2	-	+	+	-	
3	-	-	+	+	
4	+	-	-	+	CW

WIRING DIAGRAM



2	M2 DEPTH	11.10.12	A.S.
1	CONNECTOR TYPE+UL NO.+LENGTH	08.01.09	J.W.
REV	DESCRIPTION	DATE	APVD

Nanotec
PLUG & DRIVE

ST2018S0604-C

SCALE FREE	APVD	S.Ha.	17.06.08
X ±0.5	CHKD		
1PL ±0.2	DRN	J.W.	17.06.08
2PL ±0.1	SIGNATURE	DATE	
ANGLE ±30'			

STEPPING MOTOR

DWG.NO

ST2018S0604-C