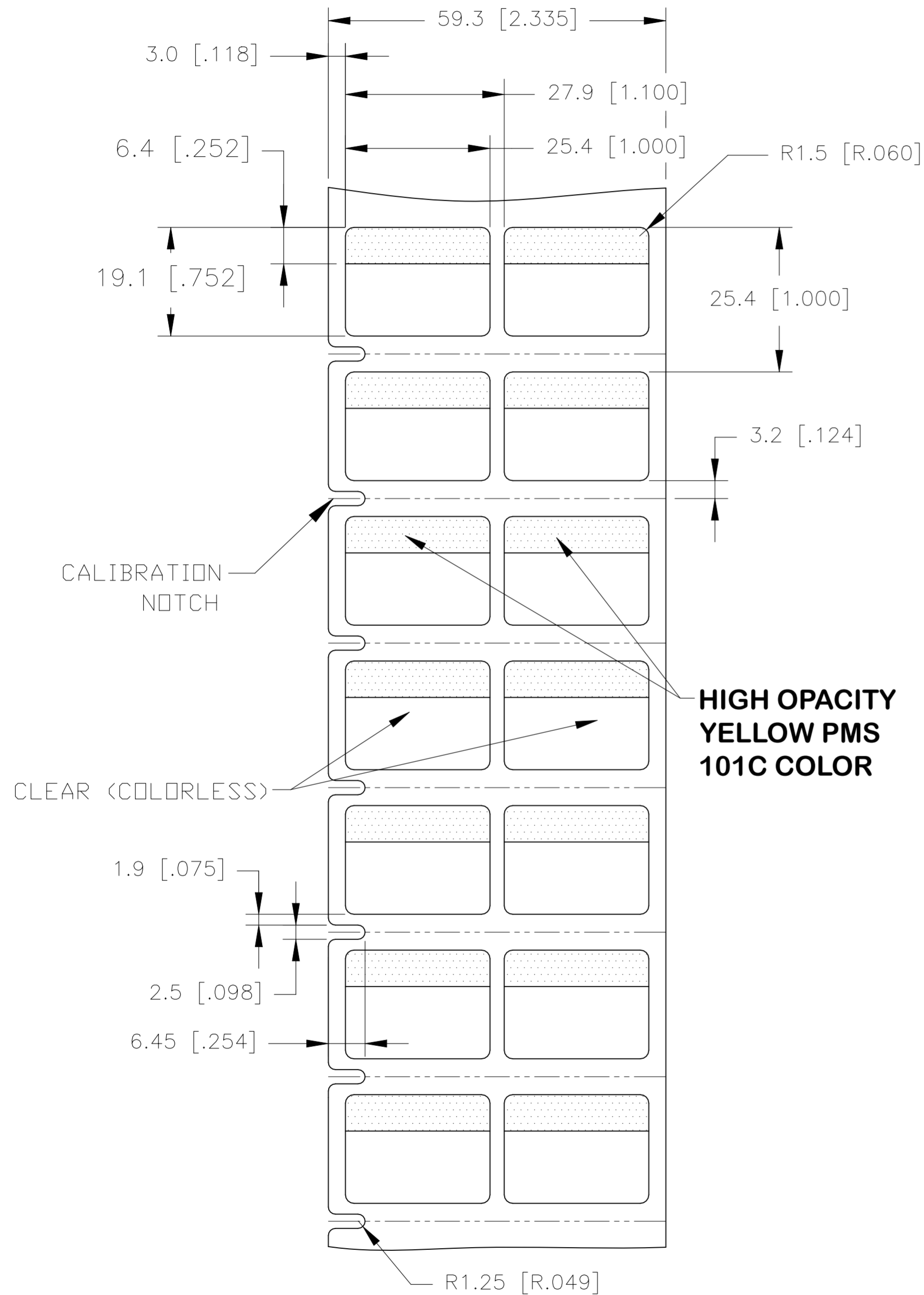
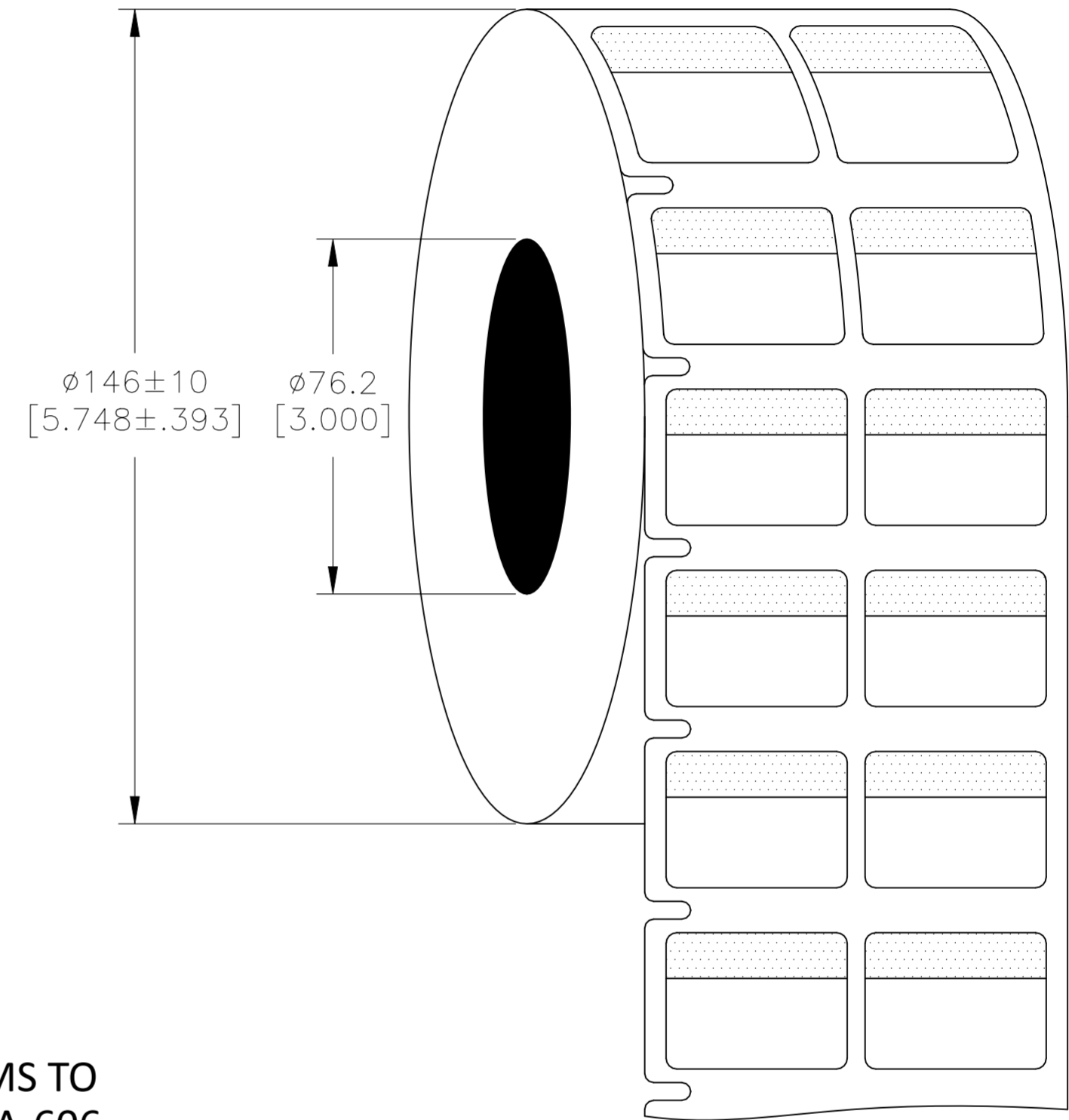


| P | LTR | DESCRIPTION | DATE | DWN | APVD |
|---|-----|-----------------|-----------|-----|------|
| A | | INITIAL RELEASE | 01JUL2022 | GK | DB |

LABEL AND LINER DESIGN



PRESENTATION



PRINT COLOR CONFORMS TO LABELING STANDARD TIA-606

All dimensions in mm [Inch]

TE PN: 1SET530101R0000

OUTSIDE WOUND LABEL ACROSS: 2 PER ROLL QTY: 5000

| TOLERANCES mm [INCH] | |
|----------------------|-------------------|
| LABEL HEIGHT: | ± 0.3 [.012] |
| LABEL WIDTH: | ± 0.3 [.012] |
| WEB WIDTH: | ± 0.8 [.031] |
| VERTICAL REPEAT: | ± 0.8 [.031]* |
| HORIZONTAL REPEAT: | ± 0.8 [.031]* |
| PRINT POSITIONING: | ± 0.8 [.031]* |
| LEFT MARGIN: | ± 0.4 [.016] |
| QUANTITY: | -0 % +2 % |
| *NON ACCUMULATING | |

| | |
|--|--|
| THIS DRAWING IS A CONTROLLED DOCUMENT. | |
| DIMENSIONS: mm [INCHES] | TOLERANCES UNLESS OTHERWISE SPECIFIED: |
| 0 PLC | \pm |
| 1 PLC | \pm |
| 2 PLC | \pm |
| 3 PLC | \pm |
| 4 PLC | \pm |
| ANGLES | \pm |
| FINISH | - |
| MATERIAL | SEE TABLE |

| | |
|---------------------------------|--------------------|
| MATERIAL | CLEAR VINYL |
| ADHESIVE TYPE | ACRYLIC PERMANENT |
| LINEAR | WHITE KRAFT |
| DWN | 01JUL2022 |
| CHK | GOPALAKRISHNA HV |
| APVD | 01JUL2022 |
| PRODUCT SPEC | D.BURGAT |
| APPLICATION SPEC | TTDS-283 |
| WEIGHT | 0.067g |
| CUSTOMER DRAWING | |
| | |
| NAME SBP EWS LABEL - YELLOW | |
| 25.4 x 19.1mm [1.00 x 0.75inch] | |
| SIZE | A2 |
| CAGE CODE | FB1U7 |
| DRAWING NO | C=SBPE04-0625-YL-5 |
| RESTRICTED TO | - |
| SCALE | 1:1 |
| SHEET | 1 OF 1 |
| REV | A |