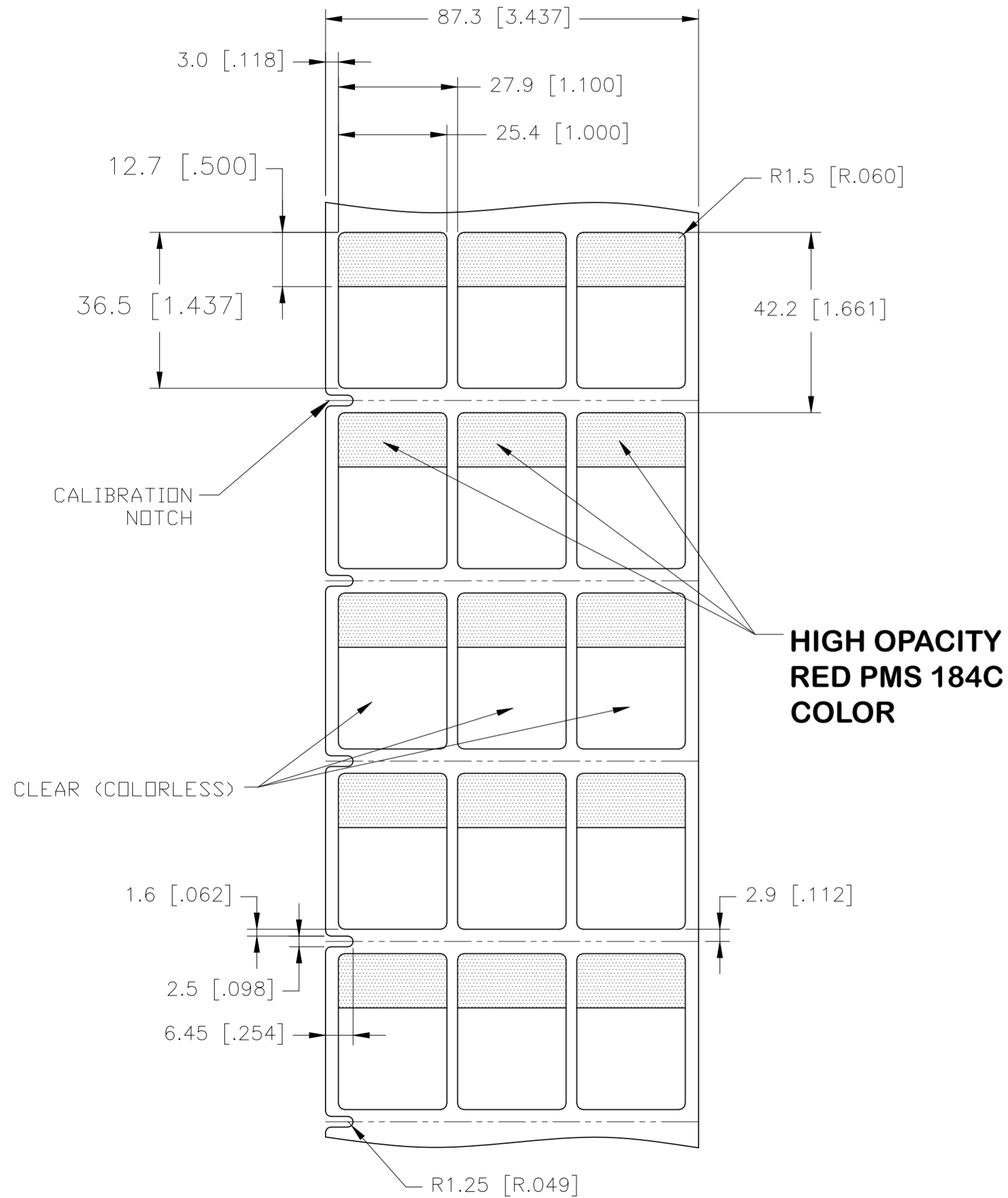
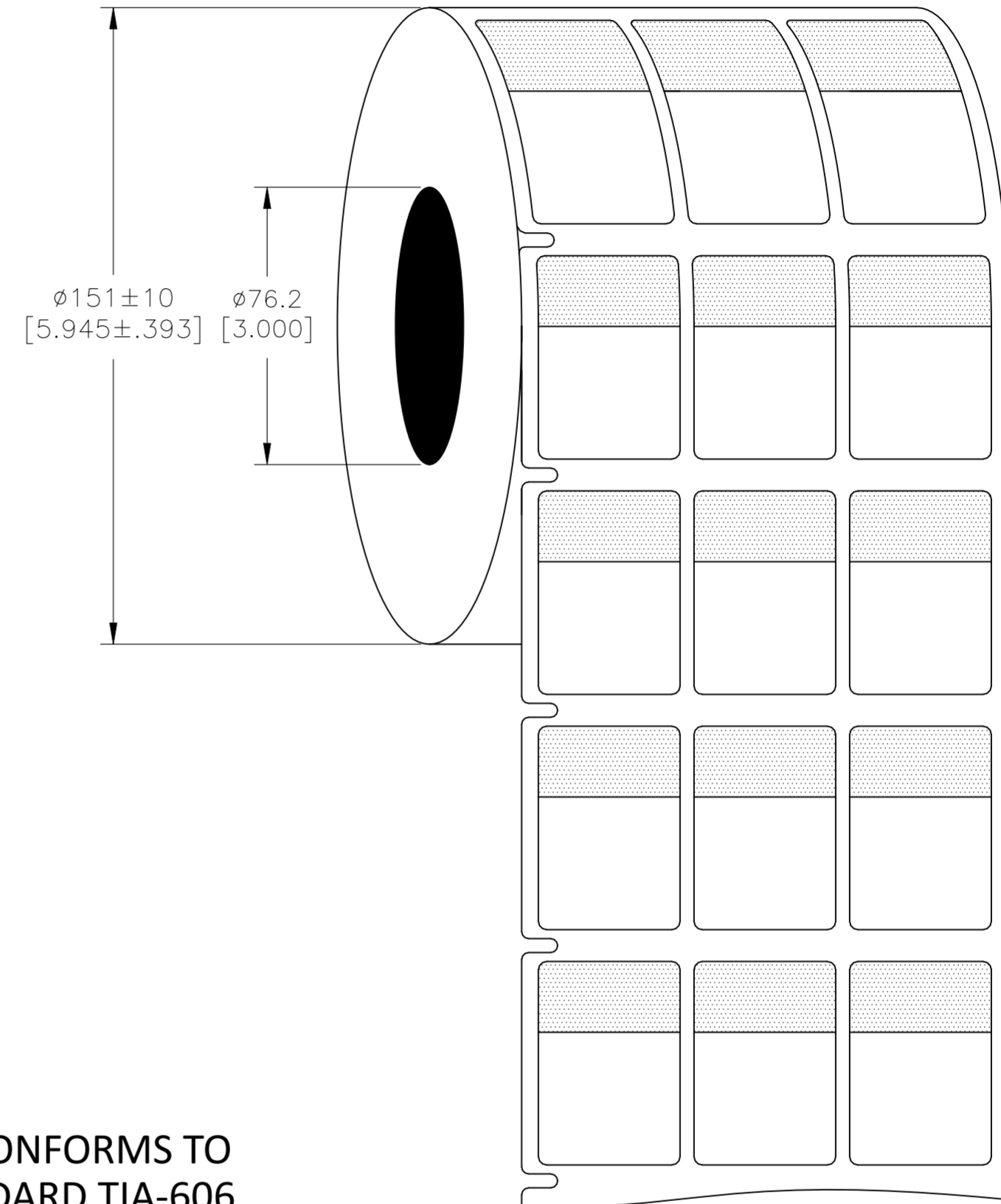


REVISIONS					
P	LTR	DESCRIPTION	DATE	DWN	APVD
A		INITIAL RELEASE	02JUL2022	GK	DB

LABEL AND LINER DESIGN



PRESENTATION



PRINT COLOR CONFORMS TO LABELING STANDARD TIA-606

All dimensions in mm [Inch]

TE PN: 1SET530105R0000

OUTSIDE WOUND LABEL ACROSS: 3 PER ROLL QTY: 5000

TOLERANCES mm [INCH]
LABEL HEIGHT: ± 0.3 [.012]
LABEL WIDTH: ± 0.3 [.012]
WEB WIDTH: ± 0.8 [.031]
VERTICAL REPEAT: ± 0.8 [.031]*
HORIZONTAL REPEAT: ± 0.8 [.031]*
PRINT POSITIONING: ± 0.8 [.031]*
LEFT MARGIN: ± 0.4 [.016]
QUANTITY: -0 % +2 %
*NON ACCUMULATING

THIS DRAWING IS A CONTROLLED DOCUMENT.	
DIMENSIONS: mm [INCHES]	TOLERANCES UNLESS OTHERWISE SPECIFIED:
	0 PLC ±
	1 PLC ±
	2 PLC ±
	3 PLC ±
4 PLC ±	
ANGLES ±	
FINISH	-
MATERIAL	SEE TABLE

MATERIAL	CLEAR VINYL
ADHESIVE TYPE	ACRYLIC PERMANENT
LINEAR	WHITE KRAFT
DWN	GOPALAKRISHNA HV
CHK	D.BURGAT
APVD	D.BURGAT
PRODUCT SPEC	TTDS-283
APPLICATION SPEC	-
WEIGHT	0.129g
CUSTOMER DRAWING	A2
SIZE	A2
CAGE CODE	FB1U7
DRAWING NO	C=SBPE07-1225-RD-5
RESTRICTED TO	-
SCALE	1:1
SHEET	1 OF 1
REV	A