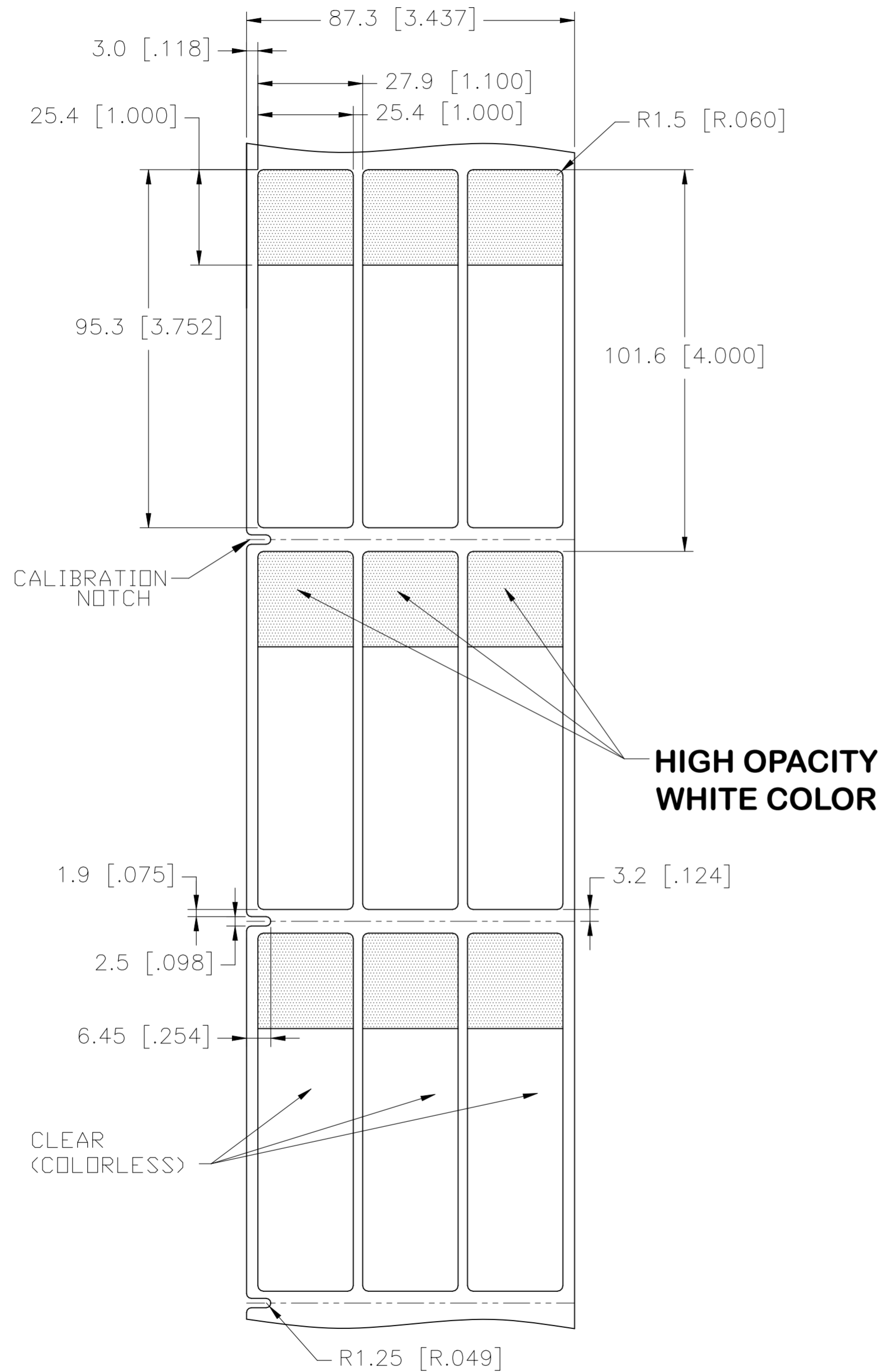
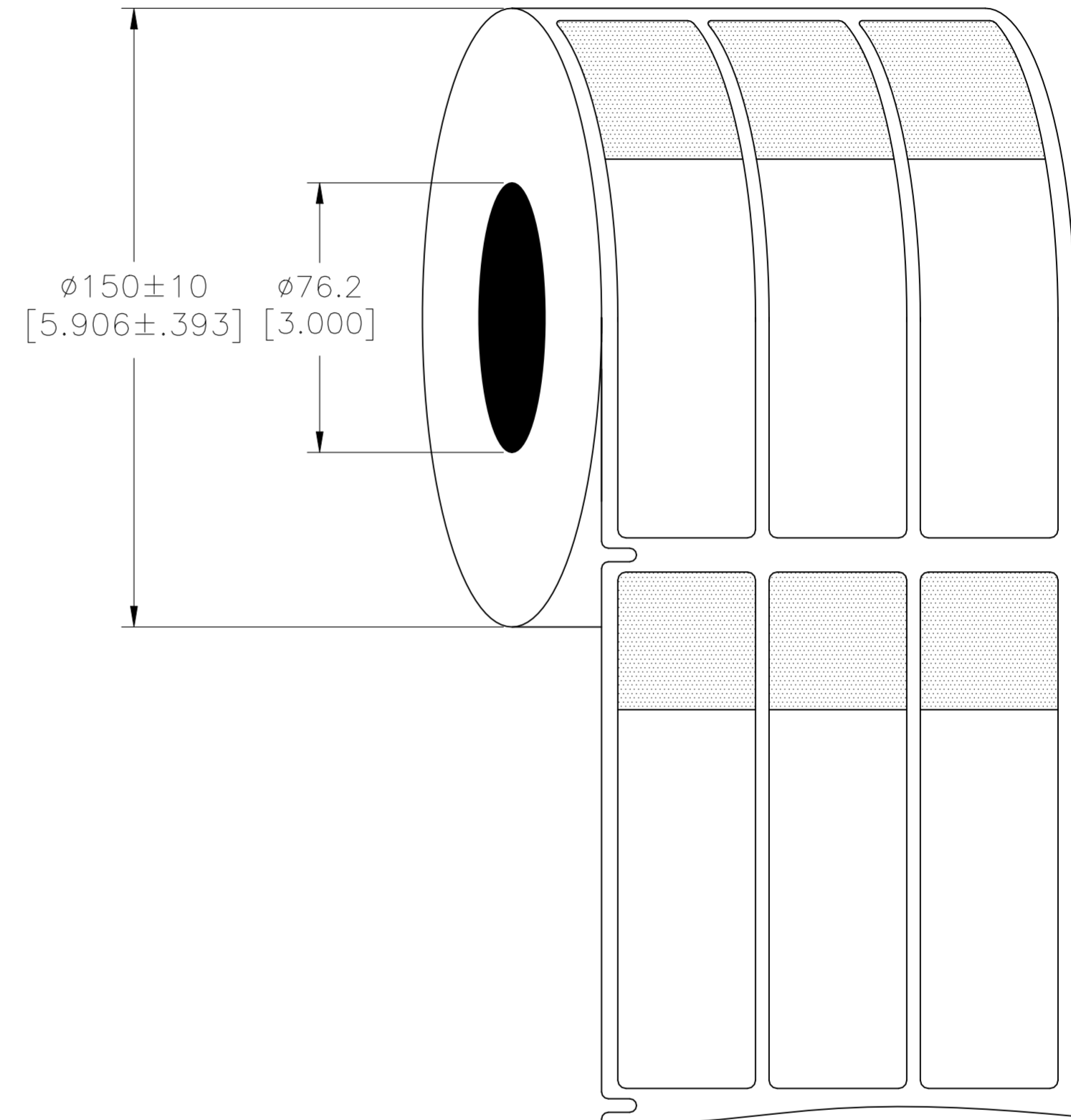


| REVISIONS |     |                 |           |     |      |
|-----------|-----|-----------------|-----------|-----|------|
| P         | LTR | DESCRIPTION     | DATE      | DWN | APVD |
| A         |     | INITIAL RELEASE | 02JUL2022 | GK  | DB   |

### LABEL AND LINER DESIGN



### PRESENTATION



PRINT COLOR CONFORMS TO LABELING STANDARD TIA-606

All dimensions in mm [Inch]

**TE PN: 1SET530112R0000**

**OUTSIDE WOUND LABEL ACROSS: 3 PER ROLL QTY: 2000**

| UL-MARKING AND LABELLING SYSTEMS                                       |                            |                                    |
|--|----------------------------|------------------------------------|
| PGIS2 - Marking and Labeling Systems, Limited Use - Component (UL 969) |                            |                                    |
| File: MH61671  | Product design: <b>SBP</b> | Ribbon: See TE Document 411-121005 |

| TOLERANCES mm [INCH] |              |
|----------------------|--------------|
| LABEL HEIGHT:        | ±0.3 [.012]  |
| LABEL WIDTH:         | ±0.3 [.012]  |
| WEB WIDTH:           | ±0.8 [.031]  |
| VERTICAL REPEAT:     | ±0.8 [.031]* |
| HORIZONTAL REPEAT:   | ±0.8 [.031]* |
| PRINT POSITIONING:   | ±0.8 [.031]* |
| LEFT MARGIN:         | ±0.4 [.016]  |
| QUANTITY:            | -0 % +2 %    |
| *NON ACCUMULATING    |              |

|  |                    |
|--|--------------------|
| MATERIAL   | CLEAR VINYL        |
| ADHESIVE TYPE  | ACRYLIC PERMANENT  |
| LINEAR   | WHITE KRAFT        |
| THIS DRAWING IS A CONTROLLED DOCUMENT.                       |                    |
| DWN  | 02JUL2022          |
| CHK  | GOPALAKRISHNA HV   |
| APVD   | 02JUL2022          |
| PRODUCT SPEC   | D.BURGAT           |
| APPLICATION SPEC   | TTDS-283           |
| WEIGHT   | 0.336g             |
| CUSTOMER DRAWING   | SCALE NTS          |
| NAME SBP EWS LABEL- WHITE<br>25.4 x 95.3mm [1.00 x 3.75inch] |                    |
| SIZE   | A2                 |
| CAGE CODE  | FB1U7              |
| DRAWING NO   | C=SBPE22-2525-WH-2 |
| RESTRICTED TO  | -                  |
| SHEET  | 1 OF 1             |
| REV  | A                  |