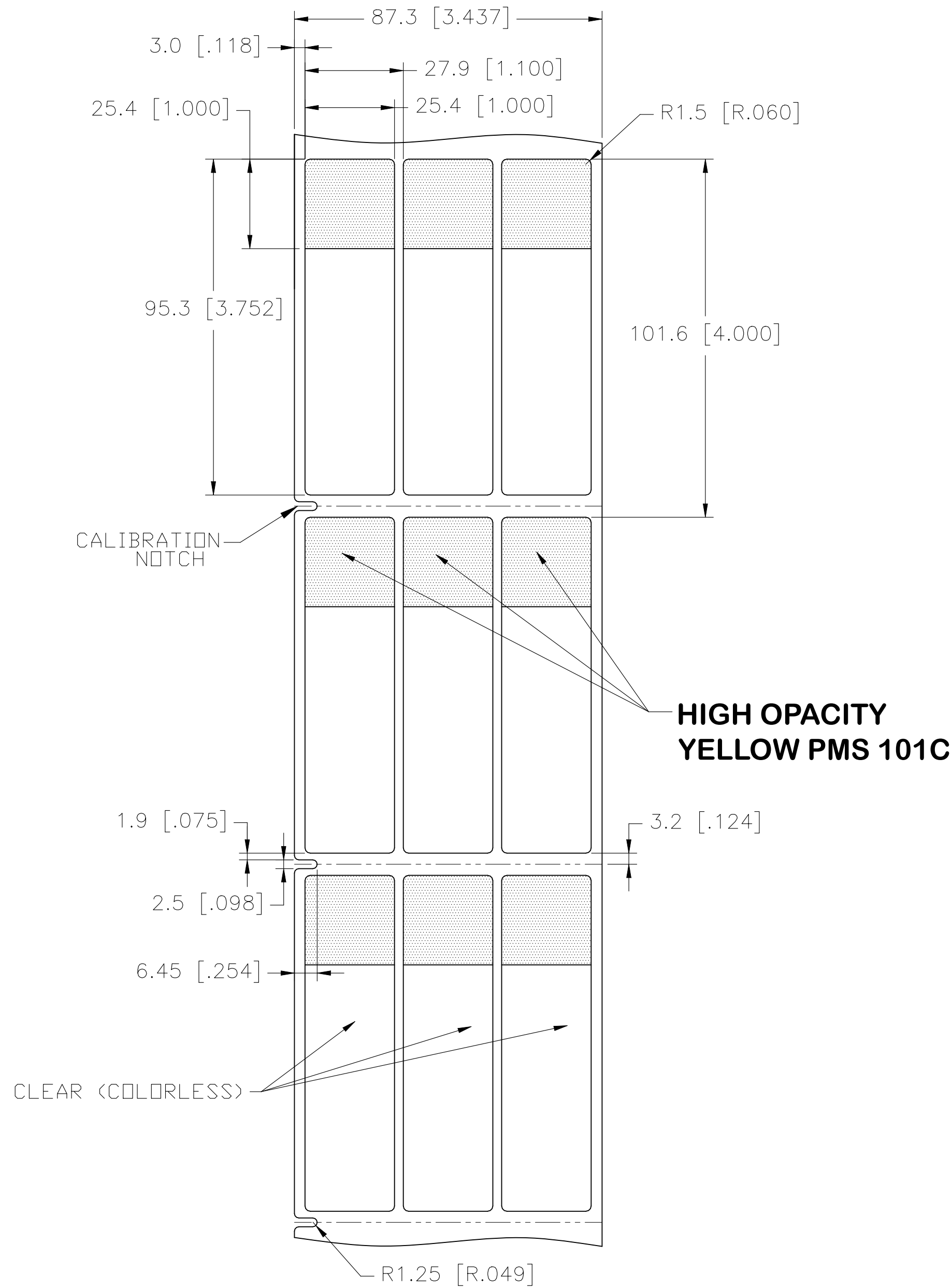
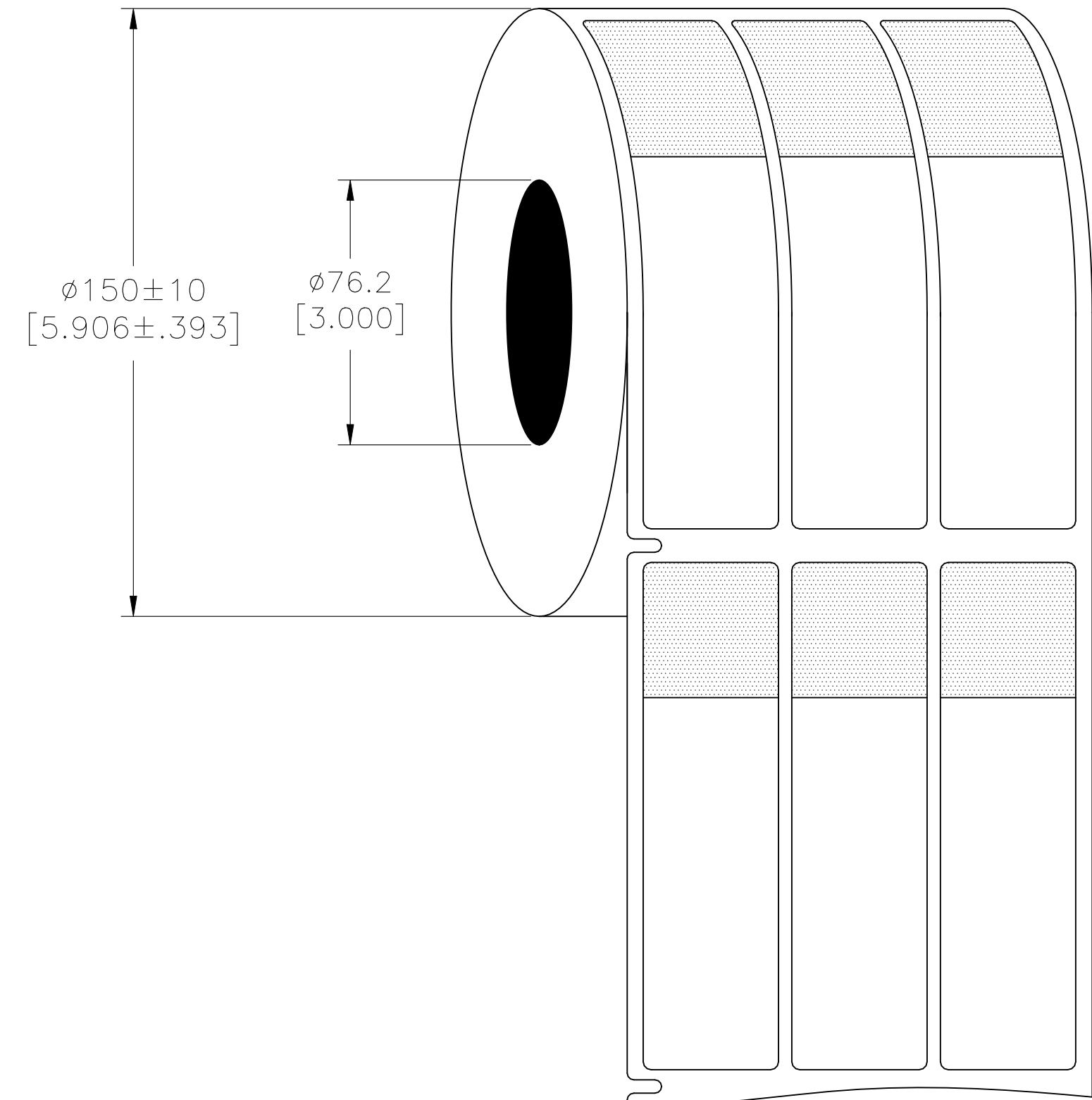


REVISIONS					
P	LTR	DESCRIPTION	DATE	DWN	APVD
A		INITIAL RELEASE	02JUL2022	GK	DB

LABEL AND LINER DESIGN



PRESENTATION



PRINT COLOR CONFORMS TO LABELING STANDARD TIA-606

All dimensions in mm [Inch]

TE PN: 1SET530113R0000

OUTSIDE WOUND LABEL ACROSS: 3 PER ROLL QTY: 2000

TOLERANCES mm [INCH]	
LABEL HEIGHT:	±0.3 [.012]
LABEL WIDTH:	±0.3 [.012]
WEB WIDTH:	±0.8 [.031]
VERTICAL REPEAT:	±0.8 [.031]*
HORIZONTAL REPEAT:	±0.8 [.031]*
PRINT POSITIONING:	±0.8 [.031]*
LEFT MARGIN:	±0.4 [.016]
QUANTITY:	-0 % +2 %
*NON ACCUMULATING	

DIMENSIONS:		TOLERANCES UNLESS OTHERWISE SPECIFIED:	
mm [INCHES]			
0 PLC	±	±	±
1 PLC	±	±	±
2 PLC	±	±	±
3 PLC	±	±	±
4 PLC	±	±	±
ANGLES	±	±	±
FINISH			

MATERIAL	CLEAR VINYL	
ADHESIVE TYPE	ACRYLIC PERMANENT	
LINEAR	WHITE KRAFT	
DWN	GOPALAKRISHNA HV	
CHK	D.BURGAT	
APVD	D.BURGAT	
PRODUCT SPEC	TTDS-283	
APPLICATION SPEC		
WEIGHT	0.336g	A2 FB1U7
CUSTOMER DRAWING	SCALE NTS SHEET 1 OF 1 REV A	