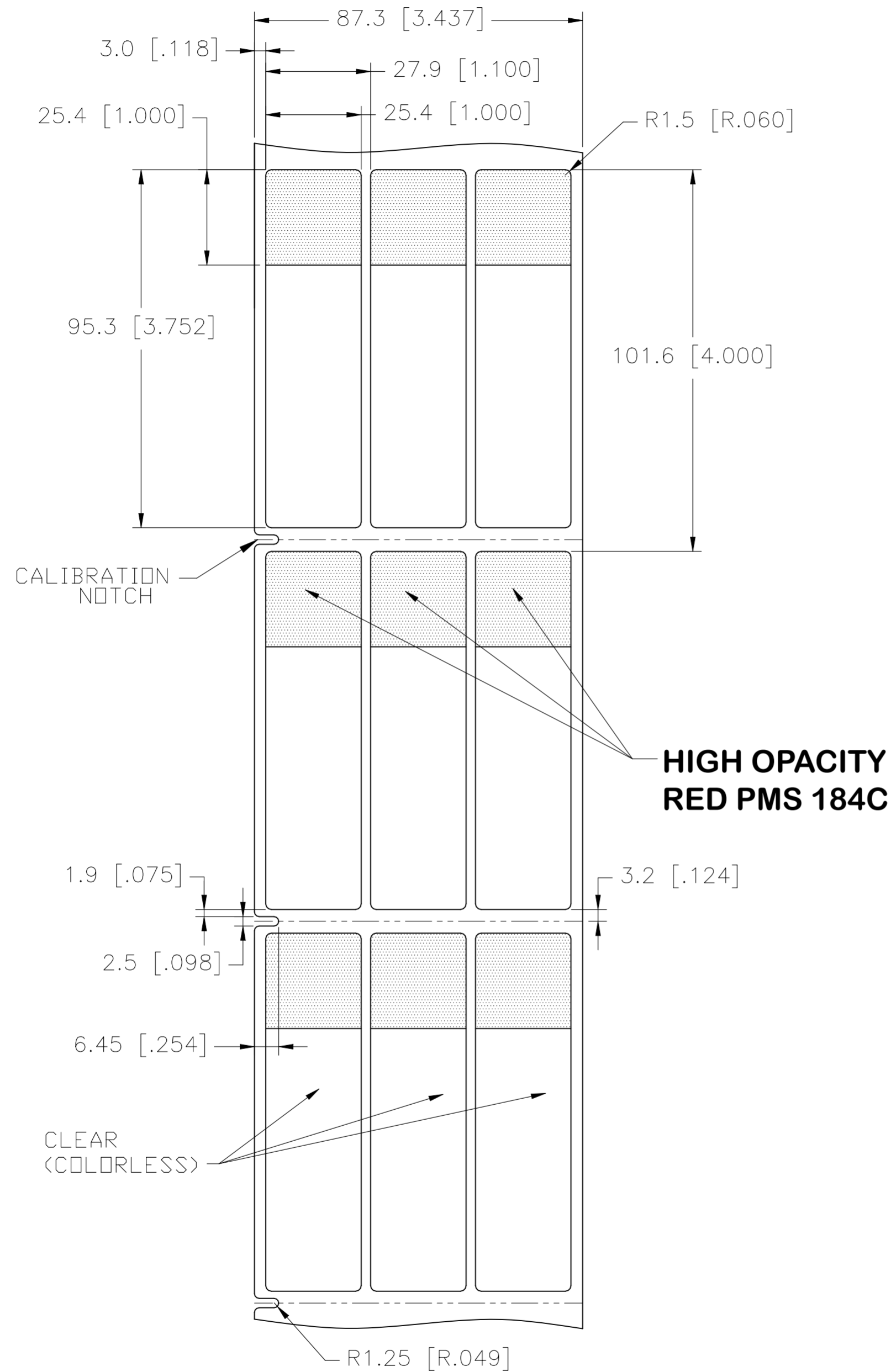
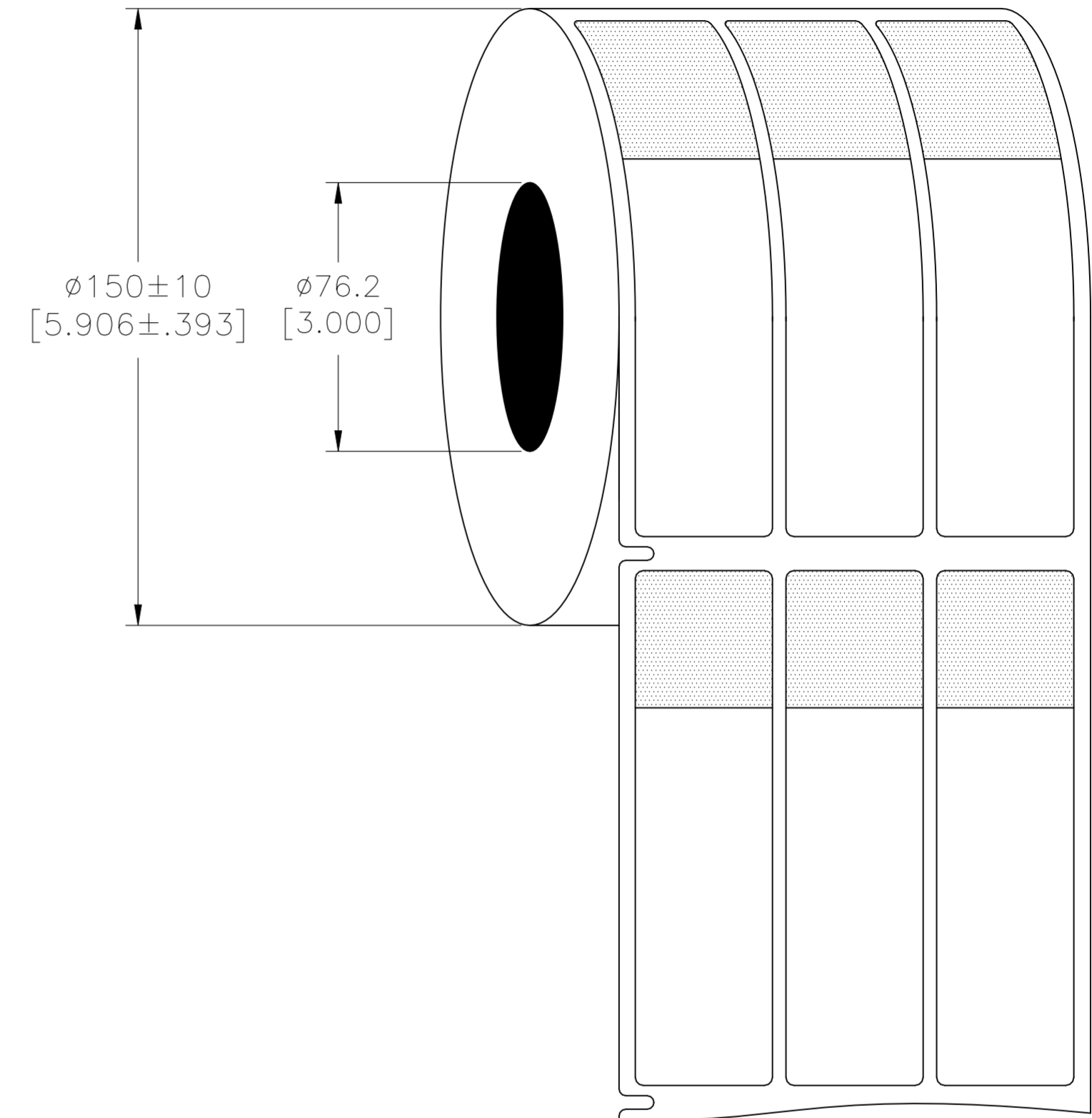


REVISIONS					
P	LTR	DESCRIPTION	DATE	DWN	APVD
A		INITIAL RELEASE	02JUL2022	GK	DB

### LABEL AND LINER DESIGN



### PRESENTATION



PRINT COLOR CONFORMS TO LABELING STANDARD TIA-606

All dimensions in mm [Inch]

**TE PN: 1SET530115R0000**

**OUTSIDE WOUND LABEL ACROSS: 3 PER ROLL QTY: 2000**

<b>MATERIAL</b>		CLEAR VINYL			
<b>ADHESIVE TYPE</b>		ACRYLIC PERMANENT			
<b>LINEAR</b>		WHITE KRAFT			
DWN	02JUL2022				
CHK	GOPALAKRISHNA HV				
APVD	02JUL2022				
D.BURGAT		NAME			
D.BURGAT		SBP EWS LABEL- RED			
TTDS-283		25.4 x 95.3mm [1.00 x 3.75inch]			
APPLICATION SPEC		-			
WEIGHT	0.336g	SIZE	A2	CAGE CODE	FB1U7
CUSTOMER DRAWING		DRAWING NO		RESTRICTED TO	
SCALE		NTS		SHEET 1 of 1	
REV		A		-	

TOLERANCES mm [INCH]		THIS DRAWING IS A CONTROLLED DOCUMENT.	
LABEL HEIGHT:	±0.3 [.012]	DIMENSIONS: mm [INCHES]	
LABEL WIDTH:	±0.3 [.012]		
WEB WIDTH:	±0.8 [.031]	TOLERANCES UNLESS OTHERWISE SPECIFIED:	
VERTICAL REPEAT:	±0.8 [.031]*	0 PLC	±
HORIZONTAL REPEAT:	±0.8 [.031]*	1 PLC	±
PRINT POSITIONING:	±0.8 [.031]*	2 PLC	±
LEFT MARGIN:	±0.4 [.016]	3 PLC	±
QUANTITY:	-0 % +2 %	4 PLC	±
*NON ACCUMULATING		ANGLES	±
MATERIAL		FINISH	
SEE TABLE		-	