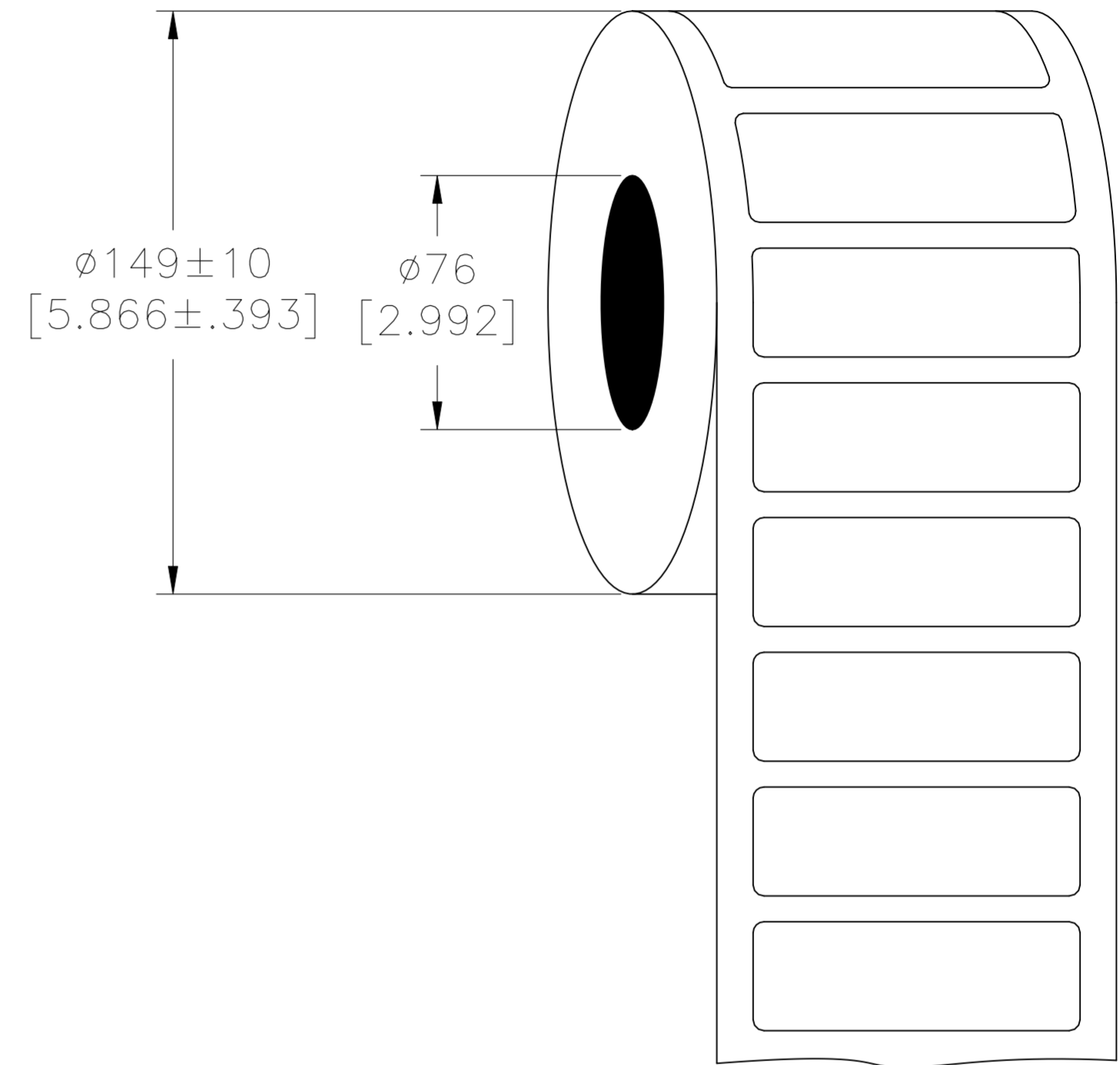
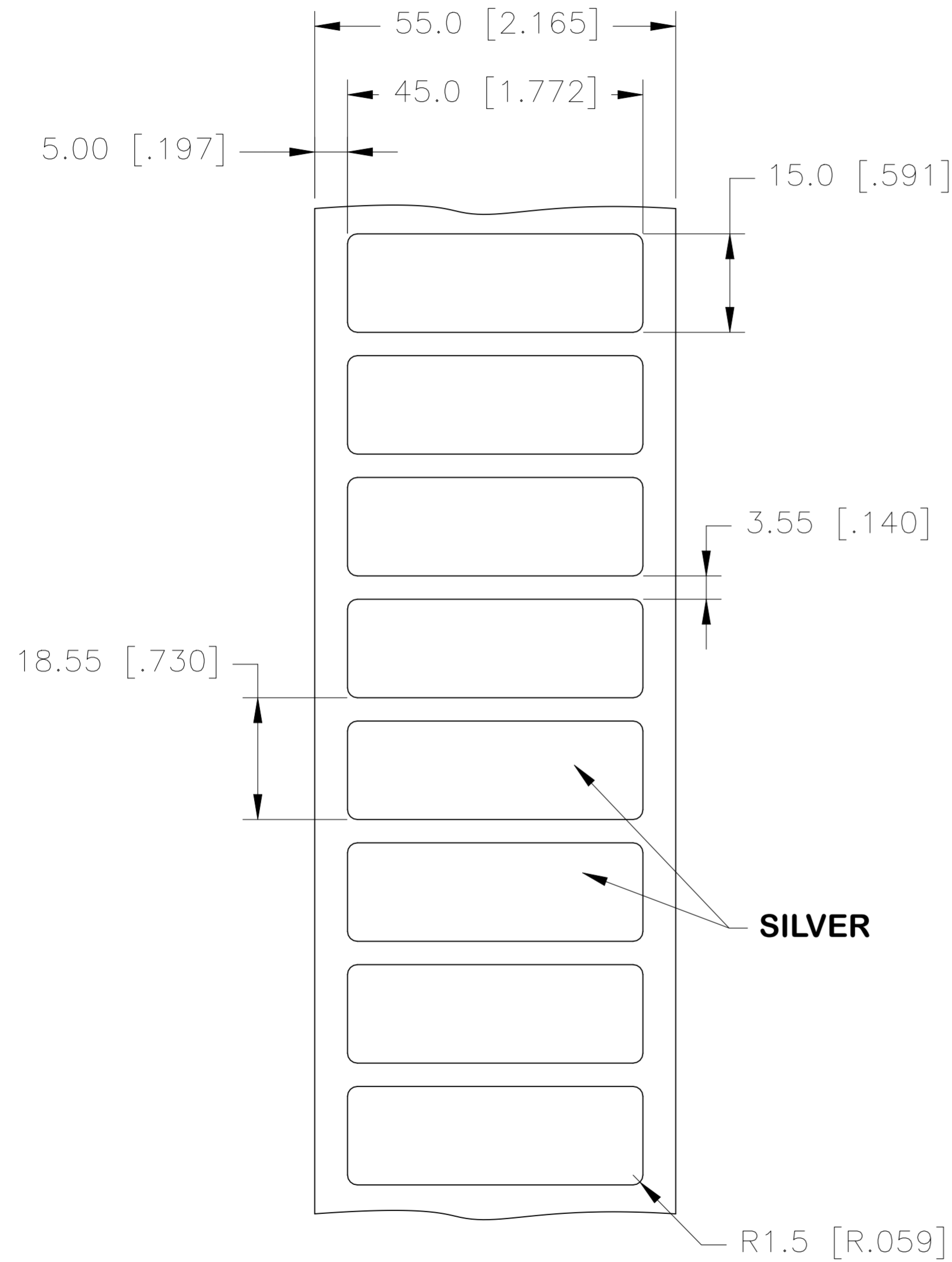


| REVISIONS | | | | | |
|-----------|-----|-------------|-----------|-----|------|
| P | LTR | DESCRIPTION | DATE | DWN | APVD |
| | A | NEW DRAWING | 09JUN2022 | GK | DB |

LABEL AND LINER DESIGN

PRESENTATION



**OUTSIDE WOUND
LABEL ACROSS: 1
PER ROLL QTY: 750**

All dimensions in mm [Inch]

TE PN: 1SET530208R0000

| UL-MARKING AND LABELLING SYSTEMS | | |
|--|------------------------------|--------------------|
| PGJ12 - Printing Materials - Component (UL 969) | | |
| PGJ18 - Printing Materials Certified for Canada - Component (CSA C22.2 No. 0.15) | | |
| File: MH17292 | Product design: PL-8A | Ribbon: 411-121005 |

| TOLERANCES mm [INCH] | |
|----------------------|--------------|
| LABEL HEIGHT: | ±0.3 [.012] |
| LABEL WIDTH: | ±0.3 [.012] |
| WEB WIDTH: | ±0.5 [.020] |
| VERTICAL REPEAT: | ±0.5 [.020]* |
| HORIZONTAL REPEAT: | ±0.5 [.020]* |
| LABEL POSITIONING: | ±0.5 [.020]* |
| LEFT MARGIN: | ±0.5 [.020] |
| QUANTITY: | -0 % +2 % |
| *NON ACCUMULATING | |

| MATERIAL | | POLYESTER SATIN METALIZED | |
|------------------|------------------|---------------------------|-----------------------------------|
| ADHESIVE TYPE | | ACRYLIC PE FOAM | |
| LINEAR | | BROWN KRAFT | |
| DWN | GOPALAKRISHNA HV | | |
| CHK | D.BURGAT | | |
| APVD | D.BURGAT | | |
| PRODUCT SPEC | TTDS-285 | | |
| APPLICATION SPEC | | NAME | PANEL LABEL-SILVER |
| | | | 45.0 x 15.0mm [1.772 x 0.591inch] |
| WEIGHT | 0.318g | SIZE | A2 |
| CUSTOMER DRAWING | | CAGE CODE | FB1U7 |
| | | DRAWING NO | C=PLE-045015-GY-0.75 |
| | | RESTRICTED TO | |
| | | SCALE | NTS |
| | | SHEET | 1 of 1 |
| | | REV | A |