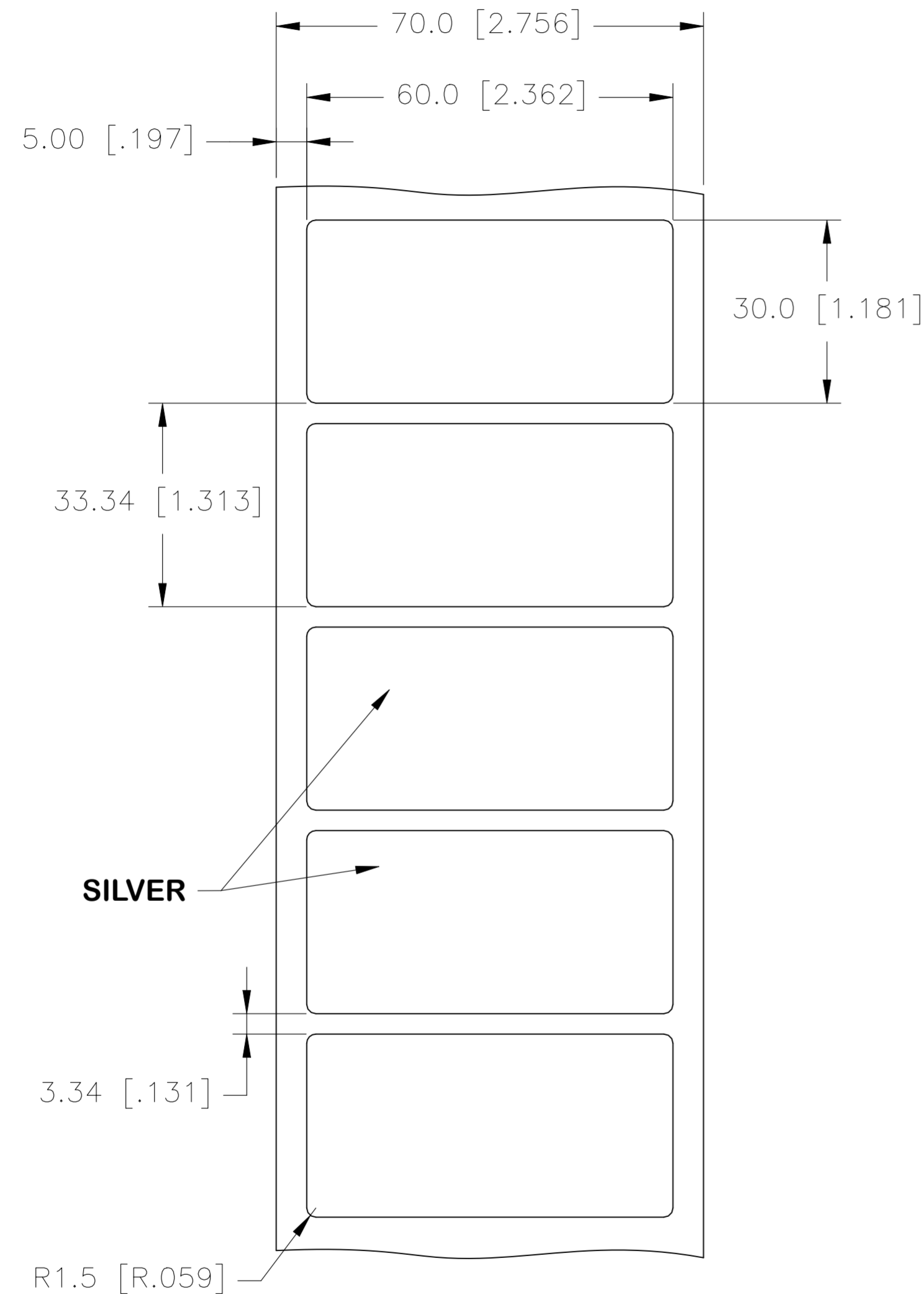
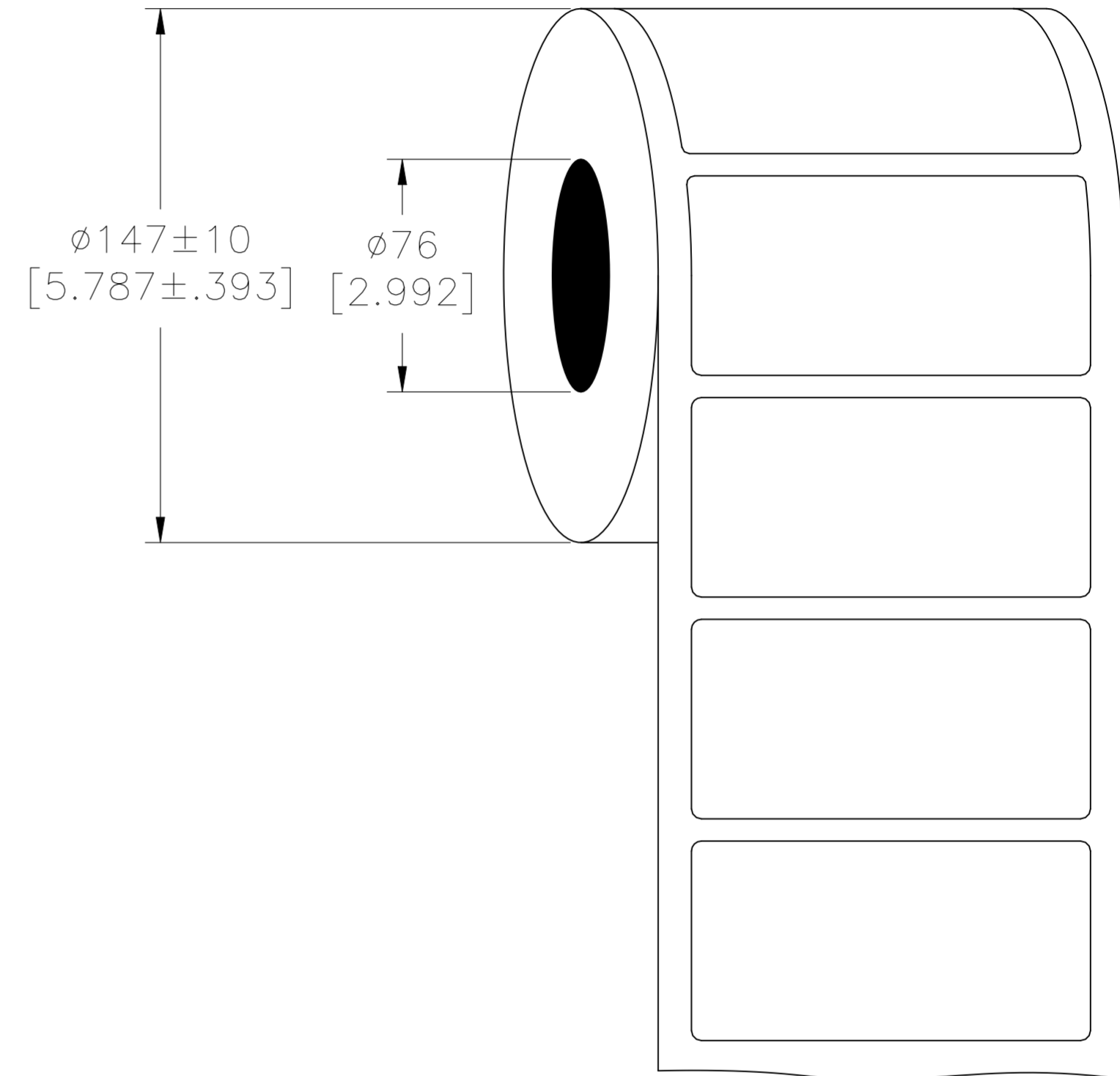


P	LTR	DESCRIPTION	DATE	DWN	APVD
A		NEW DRAWING	09JUN2022	GK	DB

LABEL AND LINER DESIGN



PRESENTATION



**OUTSIDE WOUND
LABEL ACROSS: 1
PER ROLL QTY: 400**

All dimensions in mm [Inch]

TE PN: 1SET530210R0000

UL-MARKING AND LABELLING SYSTEMS		
PGJ12 - Printing Materials - Component (UL 969)		
PGJ18 - Printing Materials Certified for Canada - Component (CSA C22.2 No. 0.15)		
File: MH17292	Product design: PL-8A	Ribbon: 411-121005

TOLERANCES mm [INCH]	
LABEL HEIGHT:	± 0.3 [.012]
LABEL WIDTH:	± 0.3 [.012]
WEB WIDTH:	± 0.5 [.020]
VERTICAL REPEAT:	± 0.5 [.020]*
HORIZONTAL REPEAT:	± 0.5 [.020]*
LABEL POSITIONING:	± 0.5 [.020]*
LEFT MARGIN:	± 0.5 [.020]
QUANTITY:	-0 % +2 %
*NON ACCUMULATING	

DIMENSIONS:		TOLERANCES UNLESS OTHERWISE SPECIFIED:	
mm [INCHES]			
	0 PLC	\pm	
	1 PLC	\pm	
	2 PLC	\pm	
	3 PLC	\pm	
	4 PLC	\pm	
	ANGLES	\pm	

MATERIAL	POLYESTER SATIN METALIZED	
ADHESIVE TYPE	ACRYLIC PE FOAM	
LINEAR	BROWN KRAFT	
DWN	GOPALAKRISHNA HV	
CHK	D.BURGAT	
APVD	D.BURGAT	
PRODUCT SPEC	TTDS-285	
APPLICATION SPEC		
NAME	PANEL LABEL-SILVER	
SIZE	60.0 x 30.0mm [2.362 x 1.181inch]	
CAGE CODE	A2 FB1U7	
DRAWING NO	C=PLE-060030-GY-0.4	
RESTRICTED TO		
WEIGHT	0.848g	
MATERIAL	SEE TABLE	FINISH SATIN
CUSTOMER DRAWING	SCALE NTS	SHEET 1 of 1
REV	A	