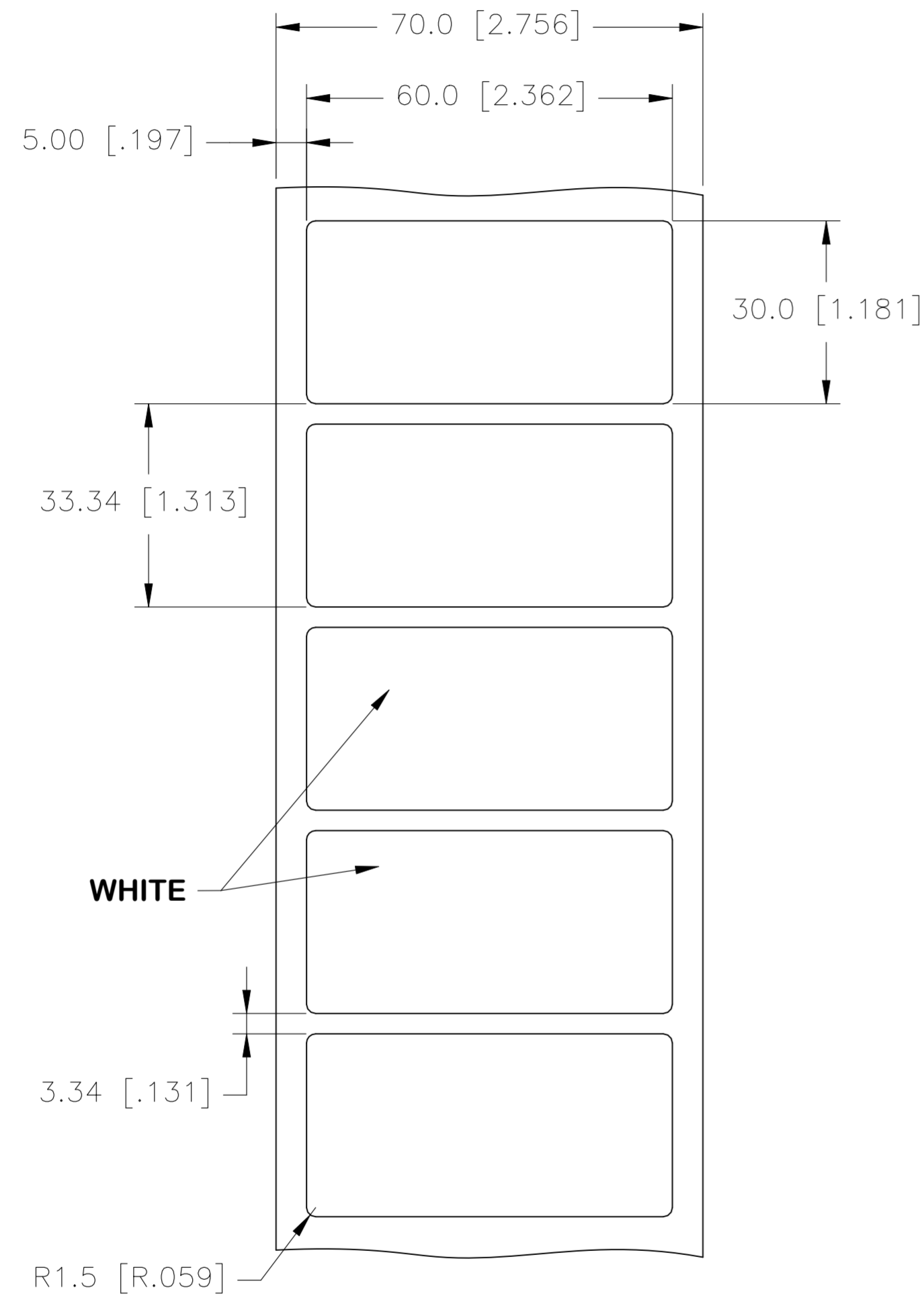
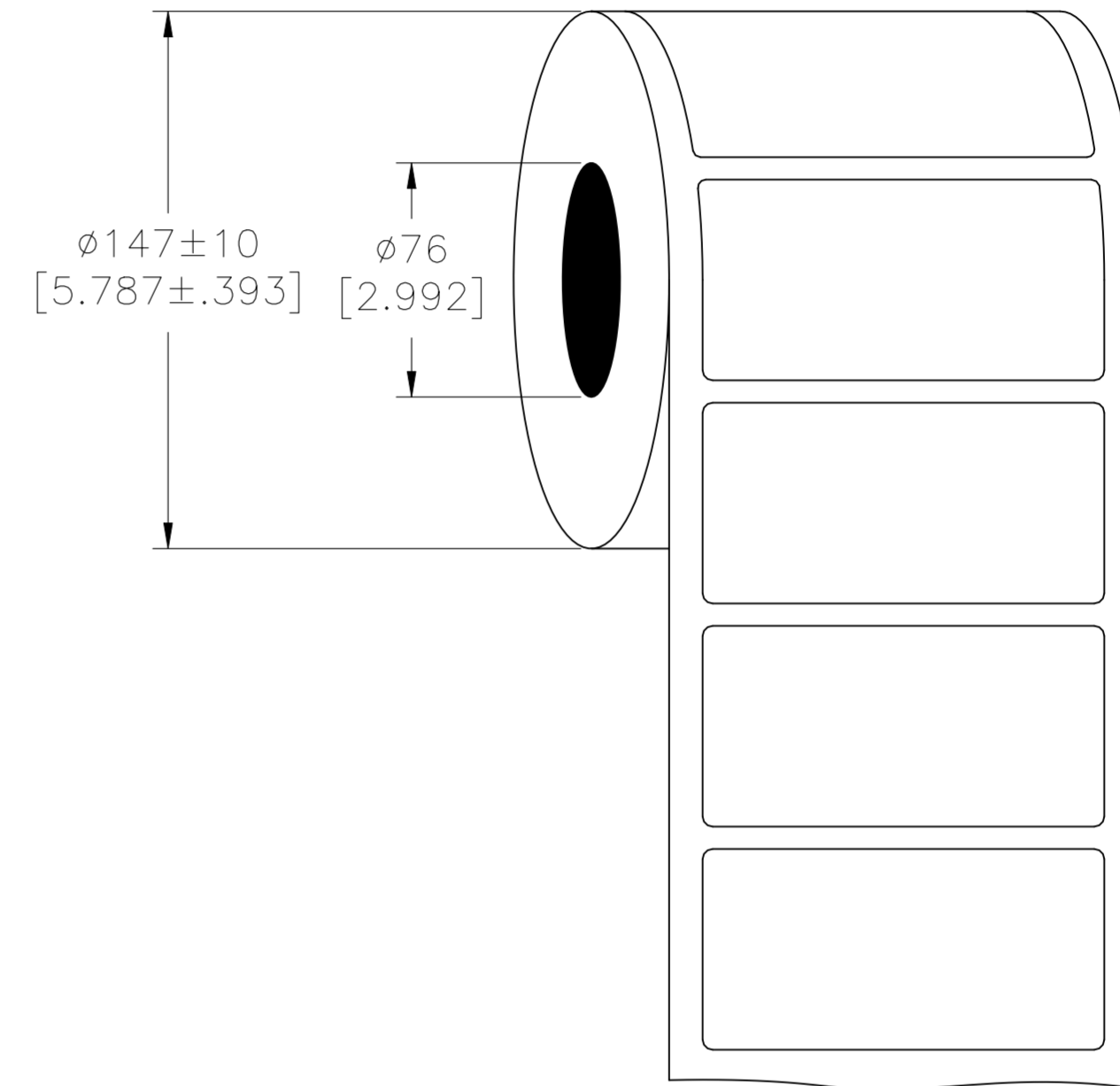


P	LTR	DESCRIPTION	DATE	DWN	APVD
A		NEW DRAWING	09JUN2022	GK	DB

LABEL AND LINER DESIGN



PRESENTATION



OUTSIDE WOUND LABEL ACROSS: 1 PER ROLL QTY: 400

All dimensions in mm [Inch]

TE PN: 1SET530211R0000

UL-MARKING AND LABELLING SYSTEMS		
PGJ12 - Printing Materials - Component (UL 969)		
PGJ18 - Printing Materials Certified for Canada - Component (CSA C22.2 No. 0.15)		
File: MH17292	Product design: PL-9	Ribbon: 411-121005

TOLERANCES mm [INCH]	
LABEL HEIGHT:	±0.3 [.012]
LABEL WIDTH:	±0.3 [.012]
WEB WIDTH:	±0.5 [.020]
VERTICAL REPEAT:	±0.5 [.020]*
HORIZONTAL REPEAT:	±0.5 [.020]*
LABEL POSITIONING:	±0.5 [.020]*
LEFT MARGIN:	±0.5 [.020]
QUANTITY:	-0 % +2 %
*NON ACCUMULATING	

THIS DRAWING IS A CONTROLLED DOCUMENT.		DWN 09JUN2022		GOPALAKRISHNA HV	
DIMENSIONS: mm [INCHES]		CHK 09JUN2022		D.BURGAT	
TOLERANCES UNLESS OTHERWISE SPECIFIED:		APVD 09JUN2022		D.BURGAT	
0 PLC ±		NAME		TE Connectivity	
1 PLC ±		PRODUCT SPEC		PANEL LABEL-WHITE	
2 PLC ±		APPLICATION SPEC		60.0 x 30.0mm [2.362 x 1.181inch]	
3 PLC ±		WEIGHT		-	
4 PLC ±		0.848g		-	
ANGLES ±		SIZE		A2	
FINISH		CAGE CODE		FB1U7	
SEE TABLE		DRAWING NO		C=PLE-060030-WH-0.4	
GLOSSY		RESTRICTED TO		-	
CUSTOMER DRAWING		SCALE		NTS	
		SHEET		1 of 1	
		REV		A	