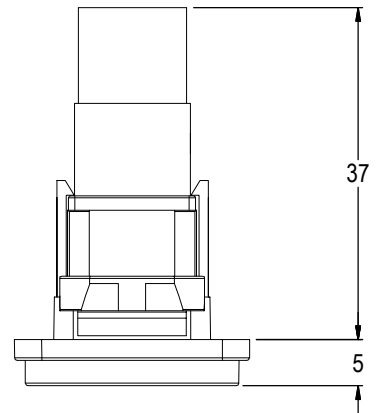
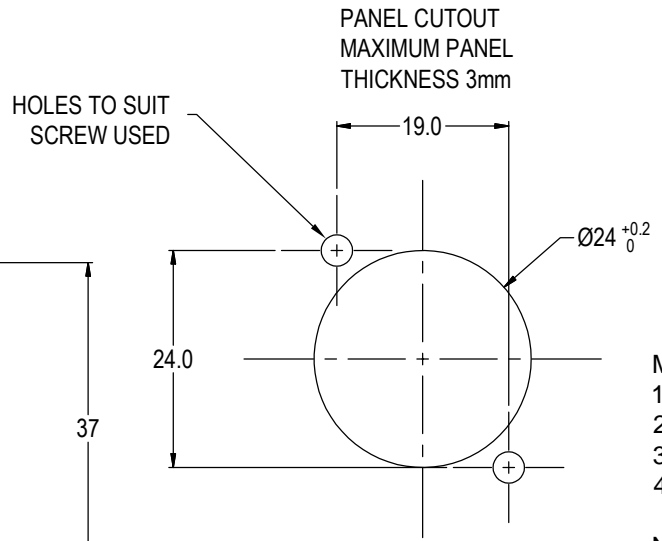


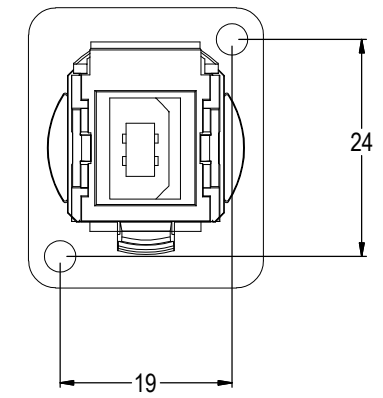
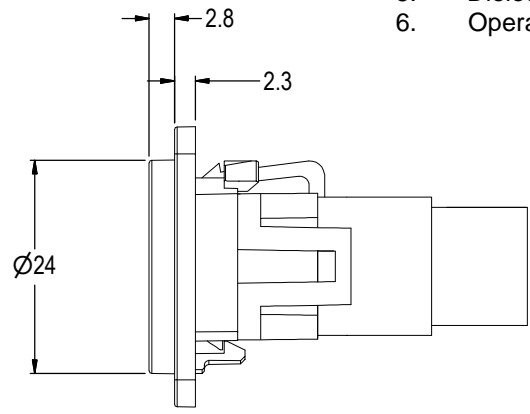
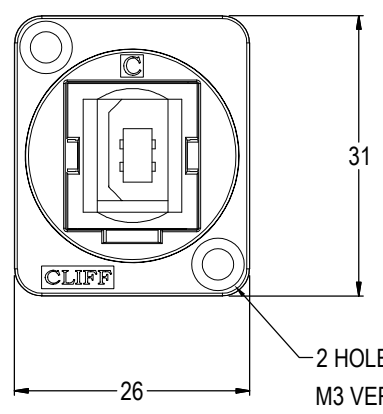
ISS.	AMEND	DATE
1	ISSUED	10/11/16
2	ADD M3 VARIANT	25/05/18



- Material:**
1. Insert: ABS
  2. Frame: Black Nickel plated zinc diecast
  3. Shell: Nickel plated steel
  4. Contacts: Gold Plated

VARIANTS	
PART No.	HOLE DETAILS
CP30203NMB	HOLE Ø3.50 x CSK 82° x Ø5.85
CP30203NM3B	M3 HOLES

- Notes:**
1. Voltage rating: 30V AC
  2. Current rating: 1.5A max
  3. Contact resistance: 50mΩ max
  4. Insulation resistance: 20MΩ min
  5. Dielectric withstanding voltage: 500V AC
  6. Operating Temperature: -20°C to 50°C



**RoHS**  
COMPLIANT

**TOLERANCE**  
NO DEC. PLACE ±  
1 DEC. PLACE ±  
2 DEC. PLACE ±  
HOLE Ø ±  
ANGLES ±  
UNLESS  
OTHERWISE STATED

**Cliff Electronic Components Ltd.**  
76 Holmethorpe Avenue, Holmethorpe Industrial Estate,  
Redhill, Surrey, RH1 2PF, England, UK  
Tel: 01737-771375 Fax: 01737-766012 Website: www.cliffuk.co.uk

DIMENSIONS IN MILLIMETERS UNLESS OTHERWISE STATED. WORK TO DIMENSIONS. REMOVE ALL BURRS. IF IN DOUBT ASK.

3rd ANGLE PROJECTION:

DO NOT SCALE

MATERIAL: See Notes

FINISH: See Notes

TITLE: FT BLACK METAL USB 2.0 B to USB 2.0 B

THE CONTENTS OF THIS DOCUMENT MUST NOT BE COPIED OR DISCLOSED TO A 3rd PARTY WITHOUT WRITTEN PERMISSION OF CLIFF UK. © 2016

DRAWN: NJB

APPROVED: DPJ

DRWG. No. CP30203NMB

FORM: A4DRWGf