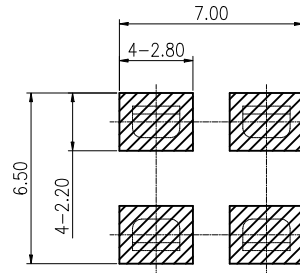
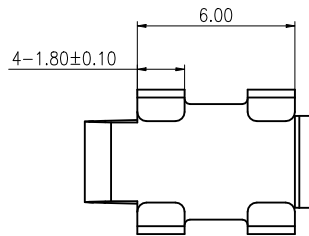
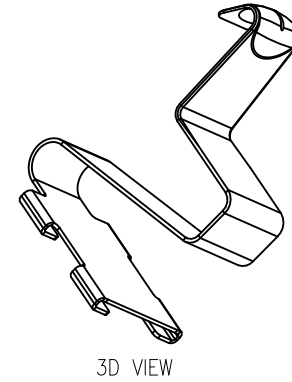
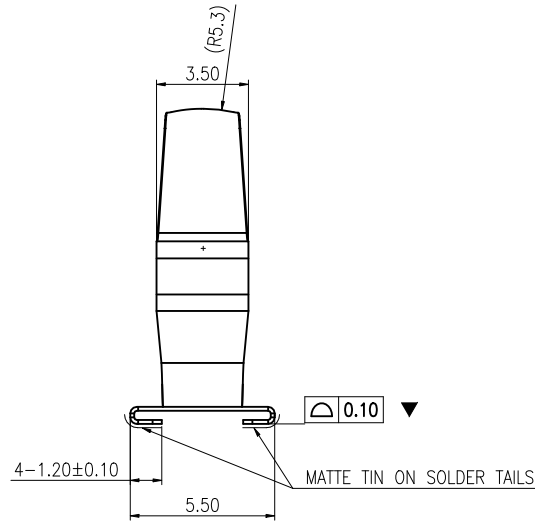
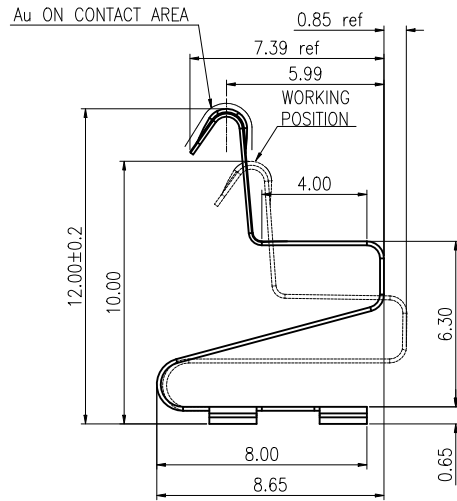


REV.	ECR/ECN No.	DESCRIPTION	DRAWN/DATE	CHECKED/DATE	APPROVED/DATE
A	ECN20200071	NEW RELEASE	Staven 2020-09-01	Staven 2020-09-01	Biao 2020-09-01
B	ECN2022112	UPDATE CPK SYMBOLS	Abner 2022-07-20	Staven 2022-07-20	Sam 2022-07-20



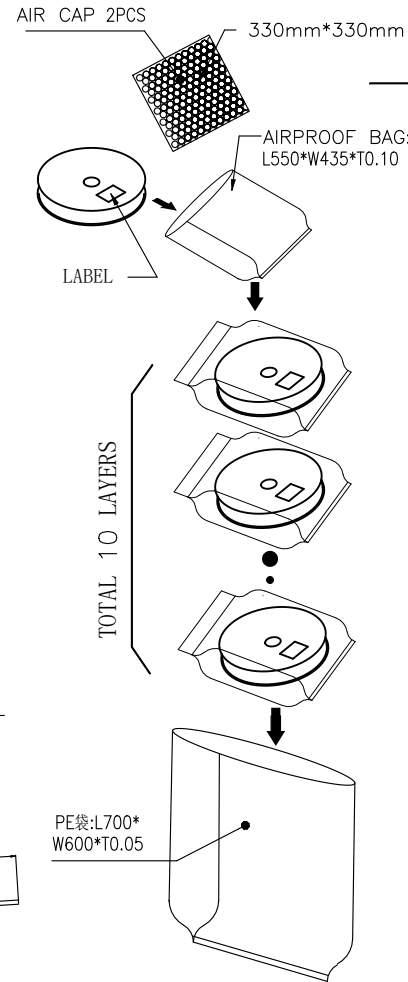
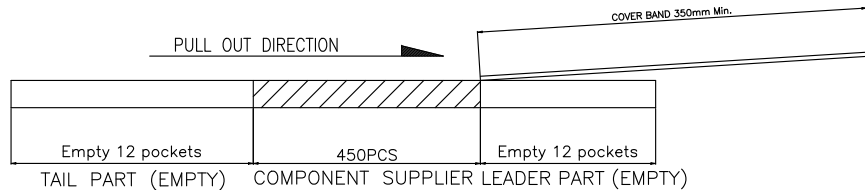
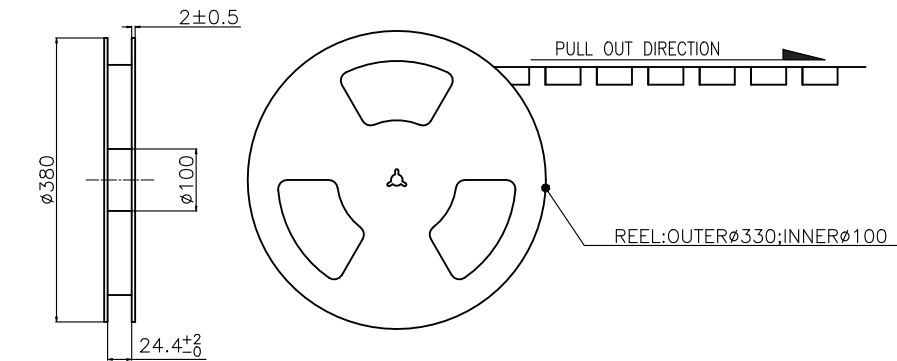
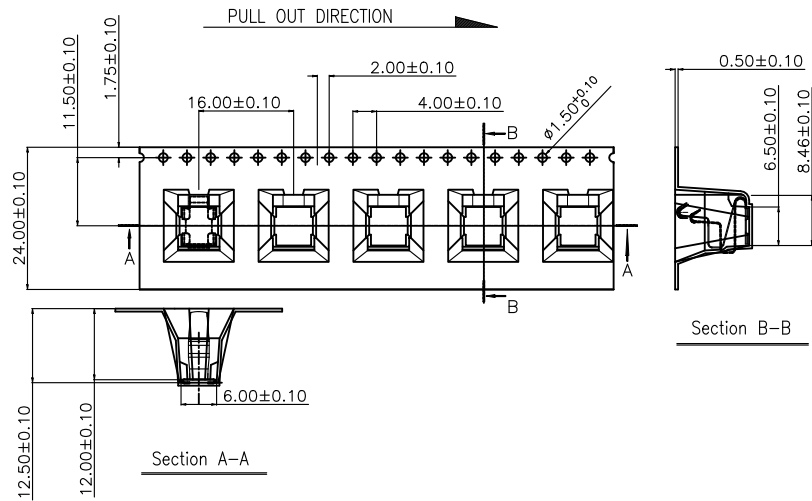
PCB LAYOUT

NOTES:

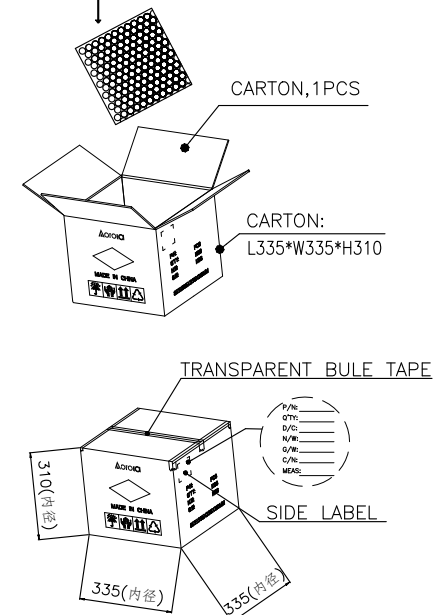
- MATERIAL: SUS 304-H T=0.15mm;
- BURR: 0.03mm MAX.
- PLATING: Au 2u" SURFACE PLATING OVER CONTACT AREAS,  
Tin 100-200u" SURFACE PLATING OVER SOLDER AREAS,  
Ni 40-120u" UNDER PLATING OVER ALL.
- ALL MATERIAL BE COMPLY WITH RoHS. AND SONY SS-00259;
- "▼" MARKED IS CPK & X-R.

UNLESS OTHERWISE SPECIFIED TOLERANCES				ANGLE OF PROJECTION		Amphenol AORORA	
X.	±0.38	X. °	± 3'			Amphenol Aorora Technology (Huizhou) Co.,Ltd	
X.X	±0.30	X.X °	± 2'				
X.XX	±0.25	X.XX °	± 1'	DOC TYP Customer Drw		TITLE:	
X.XXX	±0.15	X.XXX °	± 1'	DRAWN	Abner	H12mm SPRING	
LINEAR DIMS		ANGLES DIMS		DATE	2022-07-20		
DWG NO.: A-S0599				DESIGN	Abner	SIZE	PART NUMBER:
MATERIAL		SEE NOTES		CHECKED	Staven	A4	Z01Y-4G7L1-11000-E000
FINISHED		SEE NOTES		APPROVED	Sam	SCALE	1:1
				DATE	2022-07-20	UNIT : mm	SHEET 1 OF 1
						REV.	B

REV.	ECR/ECN No.	DESCRIPTION	DRAWN/DATE	CHECKED/DATE	APPROVED/DATE
A	ECN20200071	NEW RELEASE	Staven 2020-09-01	Staven 2020-09-01	Biao 2020-09-01



- NOTES:
- MATERIAL:
    - CARRY TAPE:HIPS,T=0.50mm, COLOR:TRANSPARENT.
    - REEL:HIPS,BLUE.
    - SHIM:PE,CLEAR.
  - PRIMARY PACKING:450PCS/REEL.
  - SECONDARY PACKING:10 REELS/CARTON ("TOTAL"=10\*450/CARTON).
  - PEELING RESISTANCE: 0.1N~0.9N(10~90gf);  
PEELING ANGLE: 165°~180°;  
PEELING SPEED: 300mm/minutes.



UNLESS OTHERWISE SPECIFIED TOLERANCES				ANGLE OF PROJECTION		Amphenol AORORA	
X.	±0.15	X. °	± 1'			Amphenol Aorora Technology (Huizhou) Co.,Ltd	
X.X	±0.16	X.X °	± 0.5'				
X.XX	±0.05	X.XX °	± 0.5'	DOC TYPE		TITLE:	
X.XXX	±0.03	X.XXX °	± 1'	PACKING DWG.		H12.0mm SPRING--PACKING	
LINEAR DIMS		ANGLES DIMS		DRAWN	DATE	Staven	2020-07-16
DWG NO.:		A-HO335		DESIGN	DATE	Staven	2020-07-16
MATERIAL		SEE NOTES		CHECKED	DATE	Biao	2020-07-16
FINISHED		SEE NOTES		APPROVED	DATE	Biao	2020-07-16
SIZE	PART NUMBER:		REV.				
A4	Z01Y-4G7L1-11000-E000		A				
SCALE	1:1	UNIT : mm	SHEET 1 OF 1				