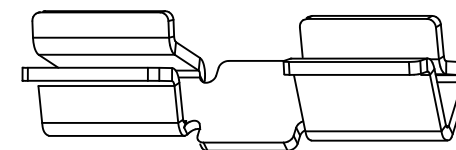
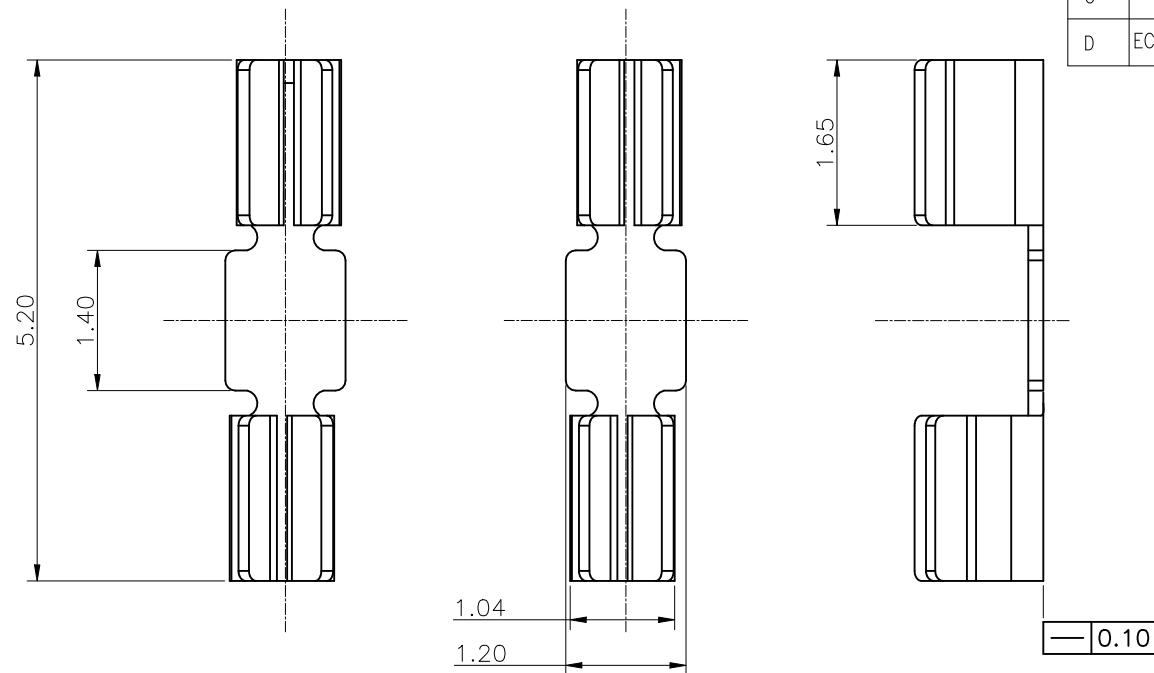


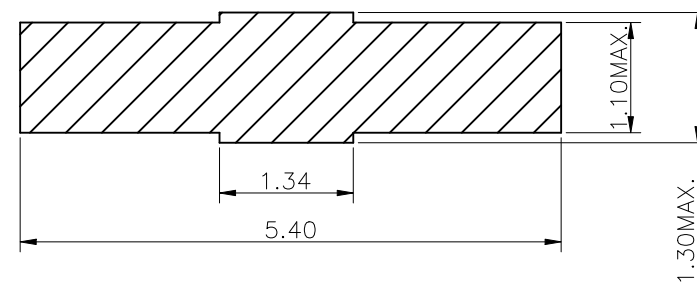
This document is the property of and embodies CONFIDENTIAL and PROPRIETARY information of AOR. No part of the information shown on this document may be used in any way or disclosed to others without the written consent of AOR. © 2019 AOR



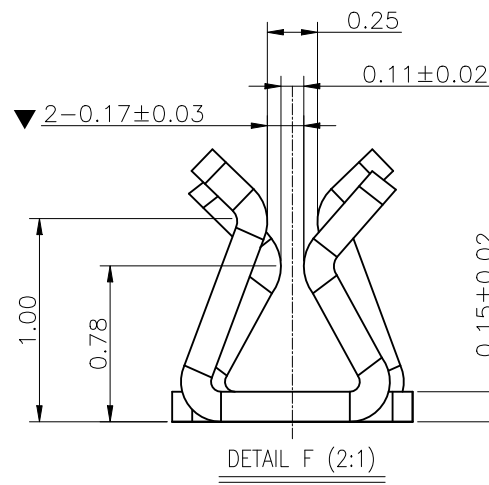
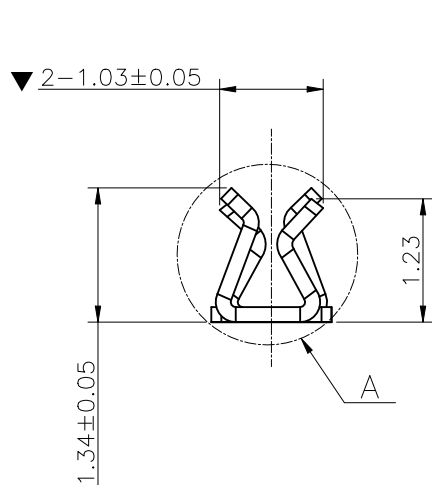
REV.	ECR/ECN No.	DESCRIPTION	DRAWN/DATE	CHECKED/DATE	APPROVED/DATE
C		Increase key dimensions	DeMing Li 2015-12-18	Qi Han 2015-12-18	Hongkui Liu 2015-12-18
D	ECN2022152	UPDATE FRAME	Abner 2022-09-27	Staven 2022-09-27	Sam 2022-09-27



3D VIEW



RECOMMENDED PCB LAYOUT



NOTES:

1. MATERIAL: SUS 304 T=0.15mm;
2. FINISH: Tin 80-160u" PLATING OVER ALL, Ni 40-120u" UNDER PLATING OVER ALL.
3. ALL MATERIAL MUST BE COMPLY WITH RoHS2.0
4. "▼" NOTATION FOR IMPORTANT DIMENSION.

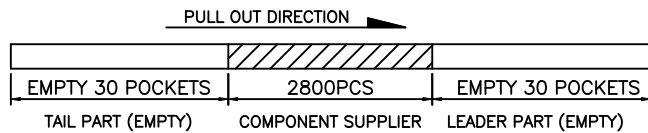
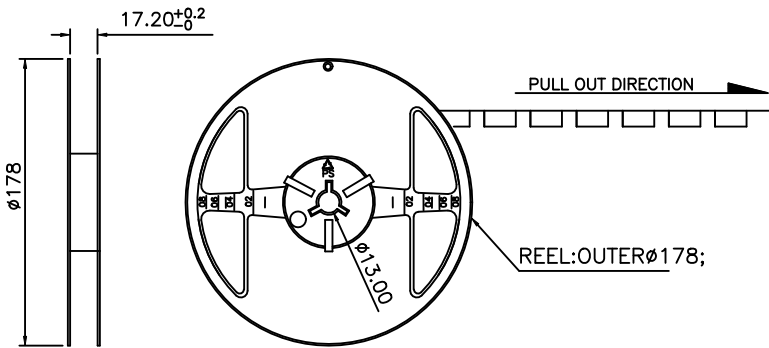
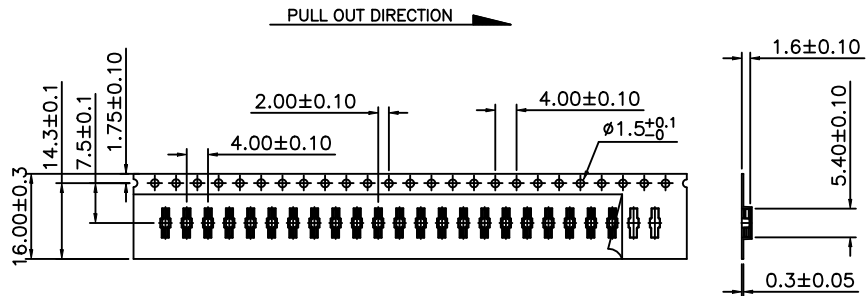
UNLESS OTHERWISE SPECIFIED TOLERANCES				ANGLE OF PROJECTION		Amphenol AORORA	
X.	±0.30	X. *	± 5'			Amphenol Aorora Technology (Huizhou) Co.,Ltd	
X.X	±0.25	X.X *	± 4'				
X.XX	±0.20	X.XX *	± 3'	DOC TYPE: Customer Drw		TITLE: HI. 34 CLIP	
X.XXX	±0.15	X.XXX *	± 2'	DRAWN DATE: DeMing Li 2015-12-18	PART NUMBER: Z000-4G7U1-11000		
LINEAR DIMS				ANGLES DIMS		DESIGN DATE: DeMing Li 2015-12-18	SIZE: A4
DWG NO.: A-S0179				MATERIAL: SEE NOTES		CHECKED DATE: Qi Han 2015-12-18	REV. D
FINISHED: SEE NOTES				APPROVED DATE: Hongkui Liu 2015-12-18		SCALE: 1:1	SHEET 1 OF 1

1

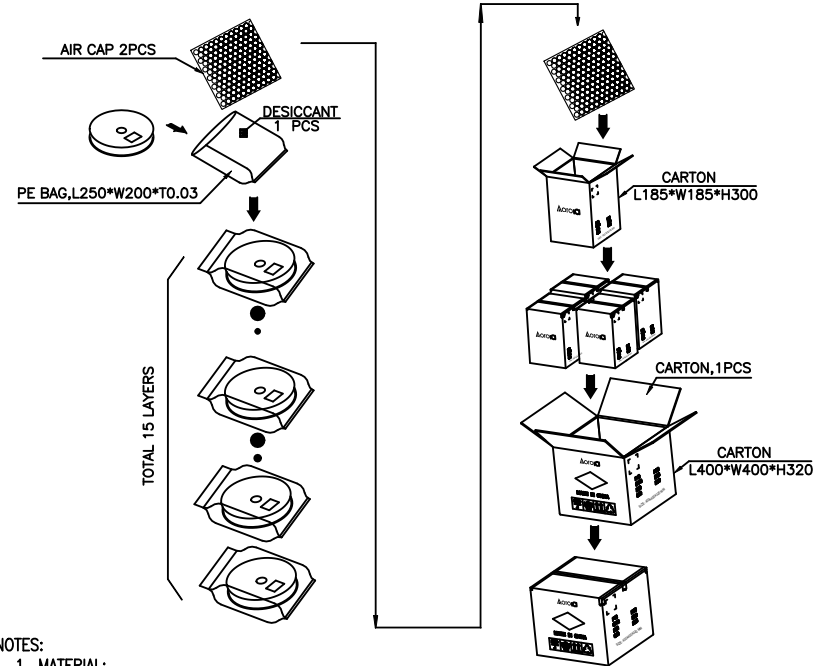
2

3

4



REV.	ECR/ECN No.	DESCRIPTION	DRAWN/DATE	CHECKED/DATE	APPROVED/DATE
B		ADD PART NUMBER	Staven 2018-05-12	Muyuan Liu 2018-05-12	Judy 2018-05-12
C	ECN2022152	UPDATE FRAME	Abner 2022-09-27	Staven 2022-09-27	Sam 2022-09-27



NOTES:

- MATERIAL:
 - CARRY TAPE:HIPS,T=0.30mm,CLEAR
 - REEL:HIPS,BLUE.
 - SHIM:PE,CLEAR.
- PRIMARY PACKING:2800PCS/REEL.
- SECONDARY PACKING:"N"REELS/CARTON ("TOTAL"=60*2800/CARTON).
- PEELING RESISTANCE: 0.2N~1.2N(20~120gf);
PEELING ANGLE: 165°~180°;
PEELING SPEED: 300mm/minutes.
- QTY LIST:

PRODUCT	PCS/REEL	inside BOX (TOL:PCS)	outside BOX (TOL:PCS)
H1.34 CLIP	2800PCS	15REEL(42000PCS)	4BOX(168000PCS)

UNLESS OTHERWISE SPECIFIED TOLERANCES				ANGLE OF PROJECTION		Amphenol AORORA		
X.	±0.15	X. °	± 1°			Amphenol AORORA Technology (Huizhou) Co.,Ltd TITLE: H1.34 CLIP PACKING		
X.X	±0.16	X.X °	± 0.5°					
X.XX	±0.05	X.XX °	± 0.5°	DOC TYPE: PACKING DWG.		SIZE: PART NUMBER: A4 Z000-4G7U1-11000		
X.XXX	±0.03	X.XXX °	± 1°	DRAWN DATE: Staven 2018-05-12	DESIGN DATE: Staven 2018-05-12			
LINEAR DIMS		ANGLES DIMS		CHECKED DATE: MUYUAN LIU 2018-05-12	APPROVED DATE: Judy 2018-05-12	SCALE: 1:1	UNIT: mm	REV. C
DWG NO.: A-H0110		MATERIAL: SEE NOTES		FINISHED: SEE NOTES		SHEET 1 OF 1		

1

2

3

4