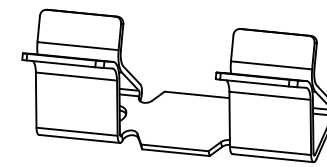
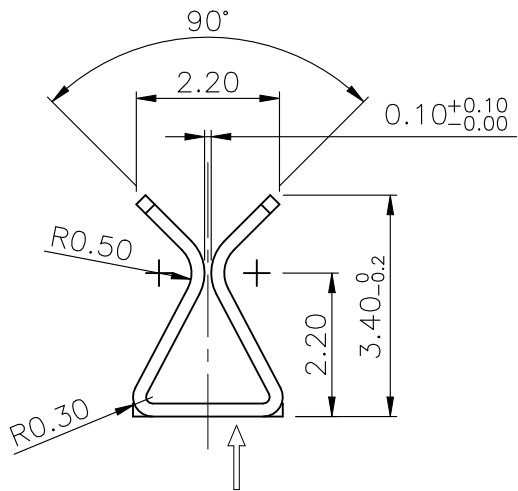
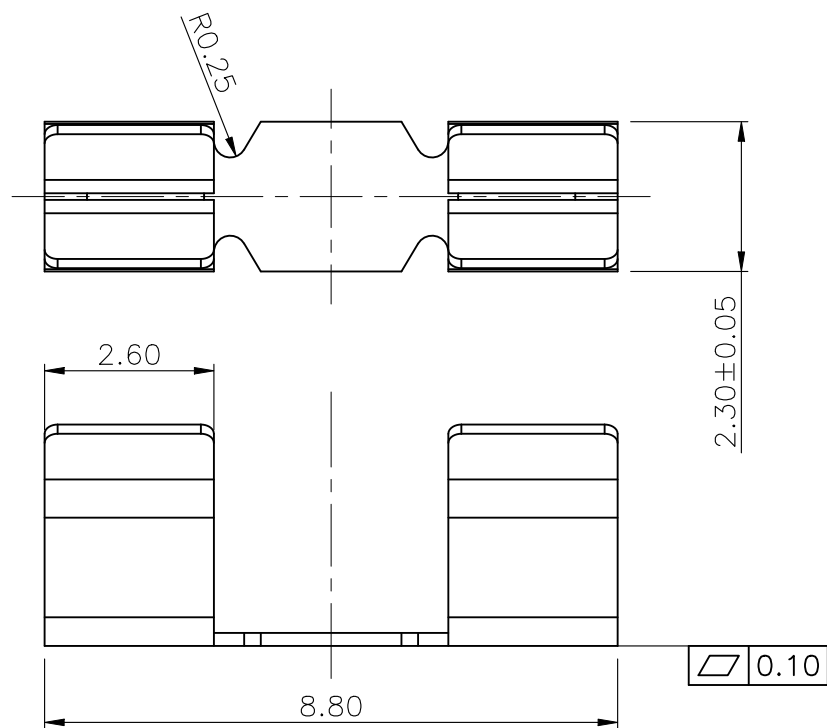


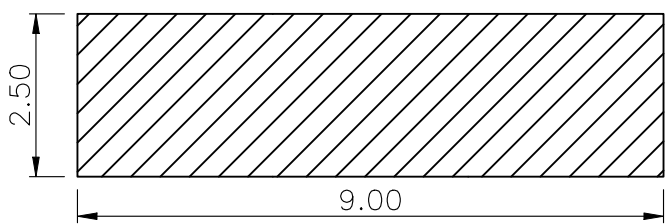
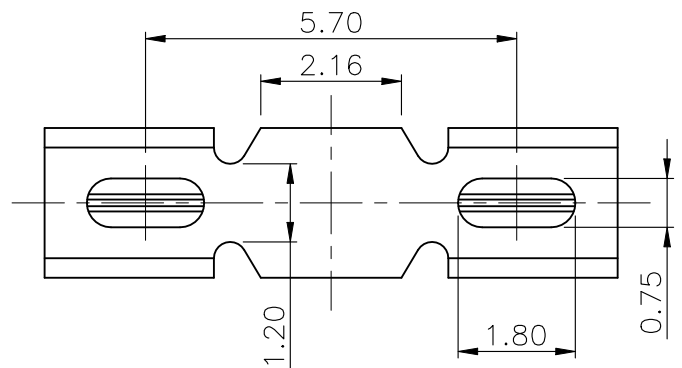
This document is the property of and embodies CONFIDENTIAL and PROPRIETARY information of AOR. No part of the information shown on this document may be used in any way or disclosed to others without the written consent of AOR. © 2019 AOR



REV.	ECR/ECN No.	DESCRIPTION	DRAWN/DATE	CHECKED/DATE	APPROVED/DATE
C	ECN2021069	UPDATE FRAME	Abner 2021-07-08	Staven 2021-07-08	Sam 2021-07-08



3D VIEW



RECOMMEND PCB LAYOUT
TOLERANCE: ±0.05mm

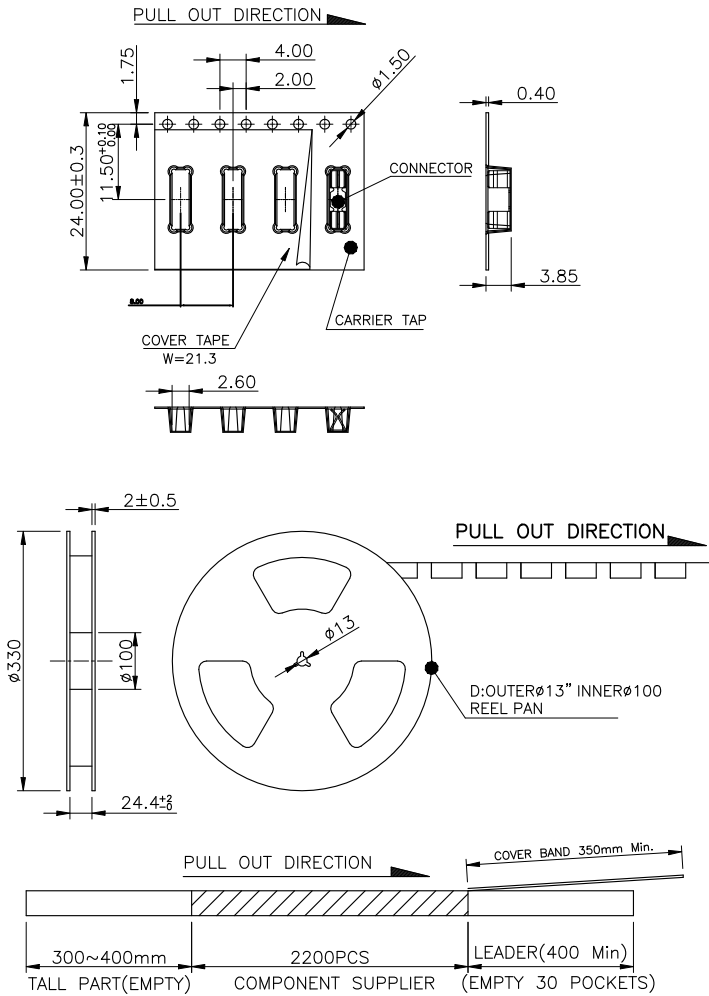
PUNCH DIRECTION & BURRS DIRECTION

NOTES:

- MATERIAL: PHOSPHOR BRONZE T=0.15mm.
- FINISH:
GOLD FLASH ON SOLDER AREAS,
Ni 40-120u" UNDER PLATING OVER ALL.
- ALL MATERIAL MUST BE COMPLY WITH RoHS2.0

UNLESS OTHERWISE SPECIFIED TOLERANCES				ANGLE OF PROJECTION		Amphenol AORORA	
X.	±0.30	X. °	± 5'			Amphenol Aorora Technology (Huizhou) Co.,Ltd	
X.X	±0.25	X.X °	± 4'				
X.XX	±0.20	X.XX °	± 3'	Customer Drw		TITLE:	
X.XXX	±0.15	X.XXX °	± 2'	DOC TYPE	DATE	SHIELD H3.40mm GOLD FLASH	
LINEAR DIMS		ANGLES DIMS		DRAWN	DATE	Staven	2016-12-02
DWG NO.:		A-S0288		DESIGN	DATE	Staven	2016-12-02
MATERIAL	SEE NOTES	CHECKED	DATE	Biao	2016-12-02	SIZE	PART NUMBER:
FINISHED	SEE NOTES	APPROVED	DATE	Biao	2016-12-02	A4	Z002-4B7C1-11000
						SCALE	1:1
						UNIT	mm
						SHEET	1 OF 1
						REV.	B

1. PACKING INTO REEL:



NOTES:

- MATERIAL:**
 - CARRY TAPE: PS, T=0.4mm, COLOR: TRANSPARENT.
 - REEL: HIPS, BLUE.
 - SHIM: PE, CLEAR.
- PRIMARY PACKING: 2200PCS/REEL.
- SECONDARY PACKING: 10 REELS/CARTON (22000PCS/CARTON).
- PEELING RESISTANCE: 0.1N~0.9N (10~90gf);
PEELING ANGLE: 165°~180°;
PEELING SPEED: 300mm/minutes.
- NET WEIGHT: 0.093g
- CARTON GROSS WEIGHT: 7.4Kg, NET WEIGHT: 2.05Kg

2

2. PACKING INTO CARTON:

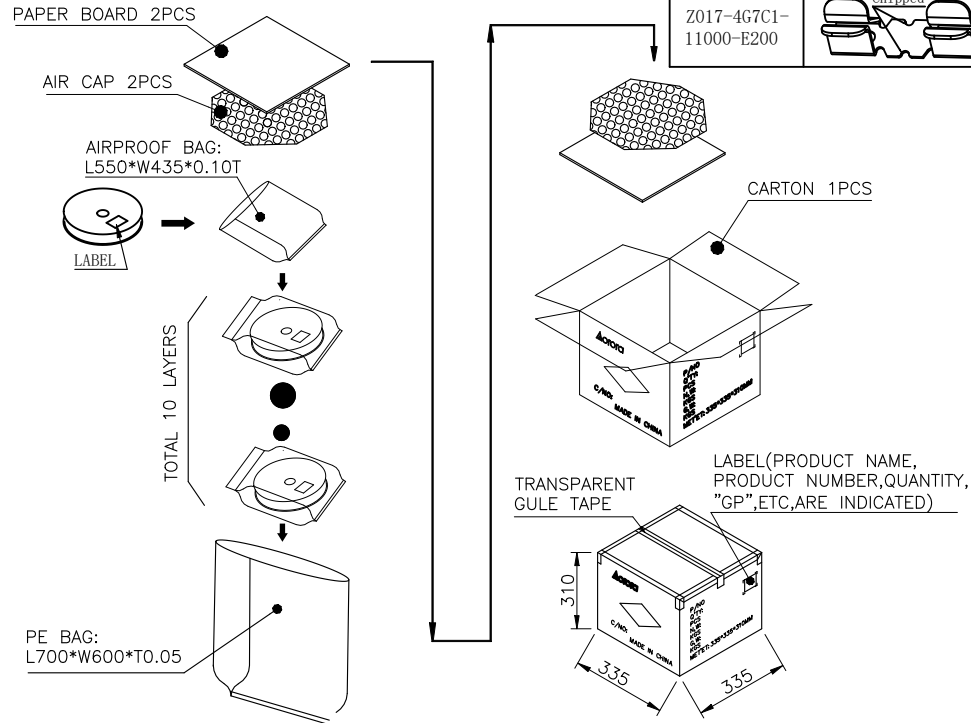


TABLE:

NO.	Sketch Map	Difference
Z002-4B7C1-11000		H3.4 Gap0.1mm
Z00U-4B7C1-11000		H3.4 Gap0.3mm
Z017-4G7C1-11000-E200		H3.4 Gap0.3mm Chipped

REV.	ECR/ECN No.	DESCRIPTION	DRAWN/DATE	CHECKED/DATE	APPROVED/DATE
C		New specifications	Staven 2019-03-04	Peng Li 2019-03-04	Judy 2019-03-04
D		UPDATE FRAME	Abner 2022-05-24	Staven 2022-05-24	Sam 2022-05-24

UNLESS OTHERWISE SPECIFIED TOLERANCES				ANGLE OF PROJECTION		Amphenol AORORA	
X.	±0.30	X. °	± 5'			Amphenol Aorora Technology (Huizhou) Co.,Ltd	
X.X	±0.25	X.X °	± 4'				
X.XX	±0.20	X.XX °	± 3'	DOC Typ Assembly Drw		TITLE: H3.4 CLIP	
X.XXX	±0.15	X.XXX °	± 2'	DRAWN	Abner	DATE	2022-05-24
LINEAR DIMS		ANGLES DIMS		DESIGN	Abner	DATE	2022-05-24
DWG NO.: A-H0167				CHECKED	Staven	DATE	2022-05-24
MATERIAL		SEE NOTES		APPROVED	Sam	DATE	2022-05-24
FINISHED		SEE NOTES				SCALE	1:1
						UNIT	mm
						SHEET	1 OF 1
						REV.	D
						PART NUMBER:	SEE TABLE

1

2

3

4