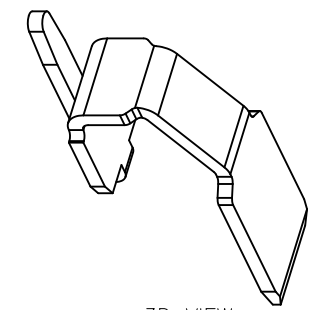
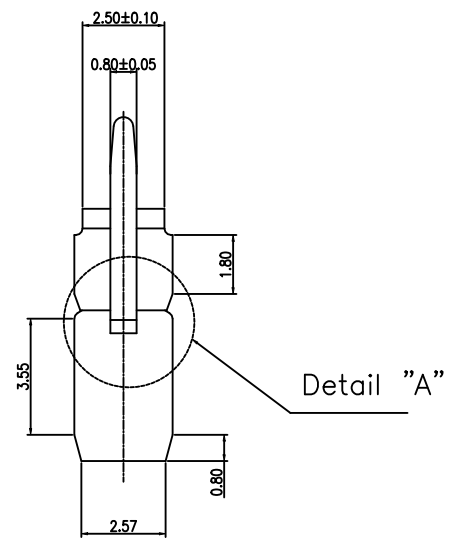
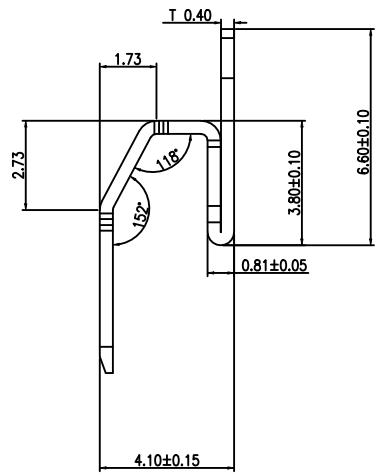
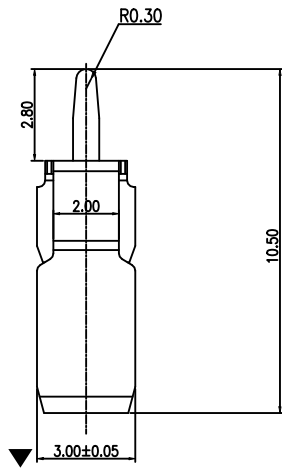
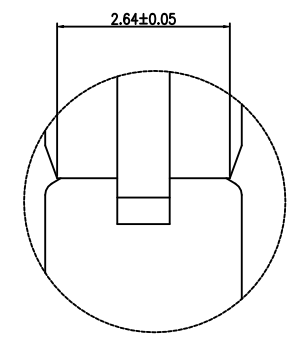


REV.	ECR/ECN No.	DESCRIPTION	DRAWN/DATE	CHECKED/DATE	APPROVED/DATE
C	ECN2022152	UPDATE FRAME	Abner 2022-09-28	Staven 2022-09-28	Sam 2022-09-28



3D VIEW

Detail "A"



Detail "A" SC: 2:1

NOTES:

1. MATERIAL: COPPER ALLOY T=0.40mm;
2. FINISH: (SOLDERABLE BRIGHT) Ni 40-120u" UNDER PLATING OVER ALL.
3. ALL MATERIALS COMPLY WITH ROHS MANAGEMENT;
4. WITH "▼" MUST BE CPK CONTROL.

UNLESS OTHERWISE SPECIFIED TOLERANCES			ANGLE OF PROJECTION		 Amphenol Aorora Technology (Huizhou) Co.,Ltd
X.	±0.30	X. ° ± 5'			
X.X	±0.25	X.X ° ± 4'			
X.XX	±0.20	X.XX ° ± 3'	DOC TYP Customer Drw		TITLE:
X.XXX	±0.15	X.XXX ° ± 2'	DRAWN DATE	Jessy 2016-09-07	H4.1 SPRING
LINEAR DIMS		ANGLES DIMS	DESIGN DATE	Jessy 2016-09-07	SIZE
DWG NO.: A-S0365			CHECKED DATE	Andy 2016-09-07	A4
MATERIAL	SEE NOTES		APPROVED DATE	Judy 2016-09-07	PART NUMBER:
FINISHED	SEE NOTES				Z01G-4C7J2-11000-E000
			SCALE	1:1	UNIT : mm
			SHEET		1 OF 1
			REV.		C

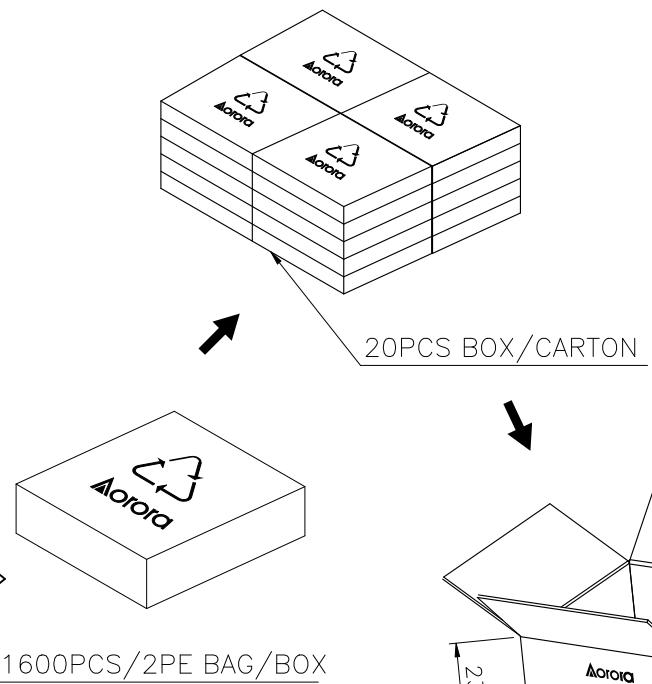
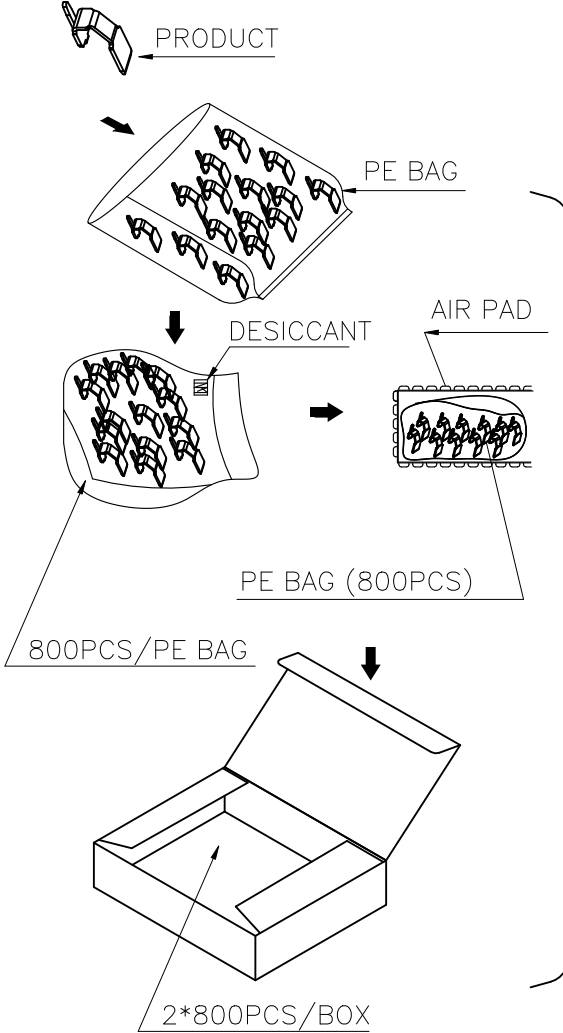


This document is the property of and embodies CONFIDENTIAL and PROPRIETARY information of AMOR. No part of the information shown on this document may be used in any way or disclosed to others without the written consent of AMOR. © 2019 AMOR

1:PACK IN TO BOX

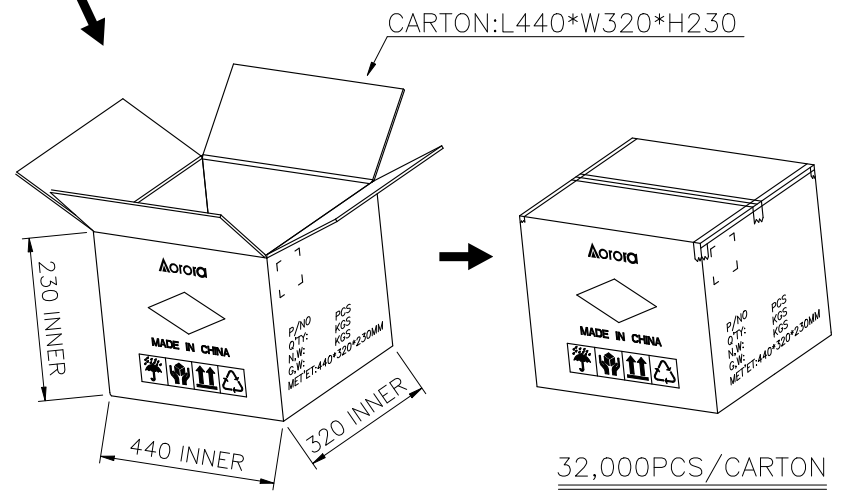
2:PACK IN TO CARTON

REV.	ECR/ECN No.	DESCRIPTION	DRAWN/DATE	CHECKED/DATE	APPROVED/DATE
B	ECN2022152	UPDATE FRAME	Abner 2022-09-28	Staven 2022-09-28	Sam 2022-09-28



NOTES:

- 1. PRIMARY PACKING:1600PCS/INNER BOX, 32,000PCS/CARTON.
- 2. PACKING DIMENSIONS:
INNER BOX:210 mm *150 mm *40 mm
CARTON:440 mm *320 mm *230 mm.



This document is the property of and embodies CONFIDENTIAL and PROPRIETARY information of AORORA. No part of the information shown on this document may be used in any way or disclosed to others without the written consent of AORORA. © 2019 AORORA



UNLESS OTHERWISE SPECIFIED TOLERANCES				ANGLE OF PROJECTION		Amphenol AORORA	
X.	±0.25	X.	± 5'			Amphenol Aorora Technology (Huizhou) Co.,Ltd	
X.X	±0.20	X.X	± 3'				
X.XX	±0.10	X.XX	± 0.2'	DOC TYPE		TITLE:	
X.XXX	±0.05	X.XXX	± 0.1'	DRAWN DATE		H4.1 SPRING	
LINEAR DIMS		ANGLES DIMS		DESIGN DATE		PART NUMBER:	
DWG NO.: A-H0193				CHECKED DATE		Z01G-4C7J2-11000-E000	
MATERIAL		SEE NOTES		APPROVED DATE		REV. B	
FINISHED		SEE NOTES				SCALE 1:1 UNIT : mm SHEET 1 OF 1	