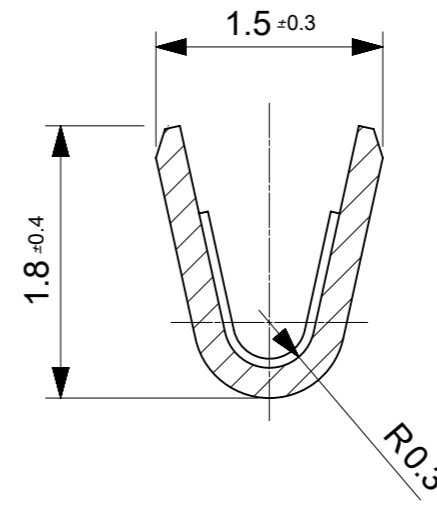
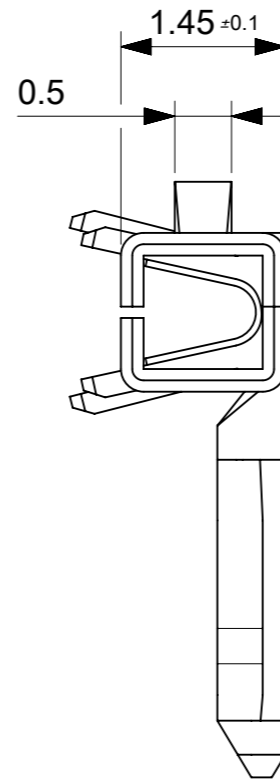
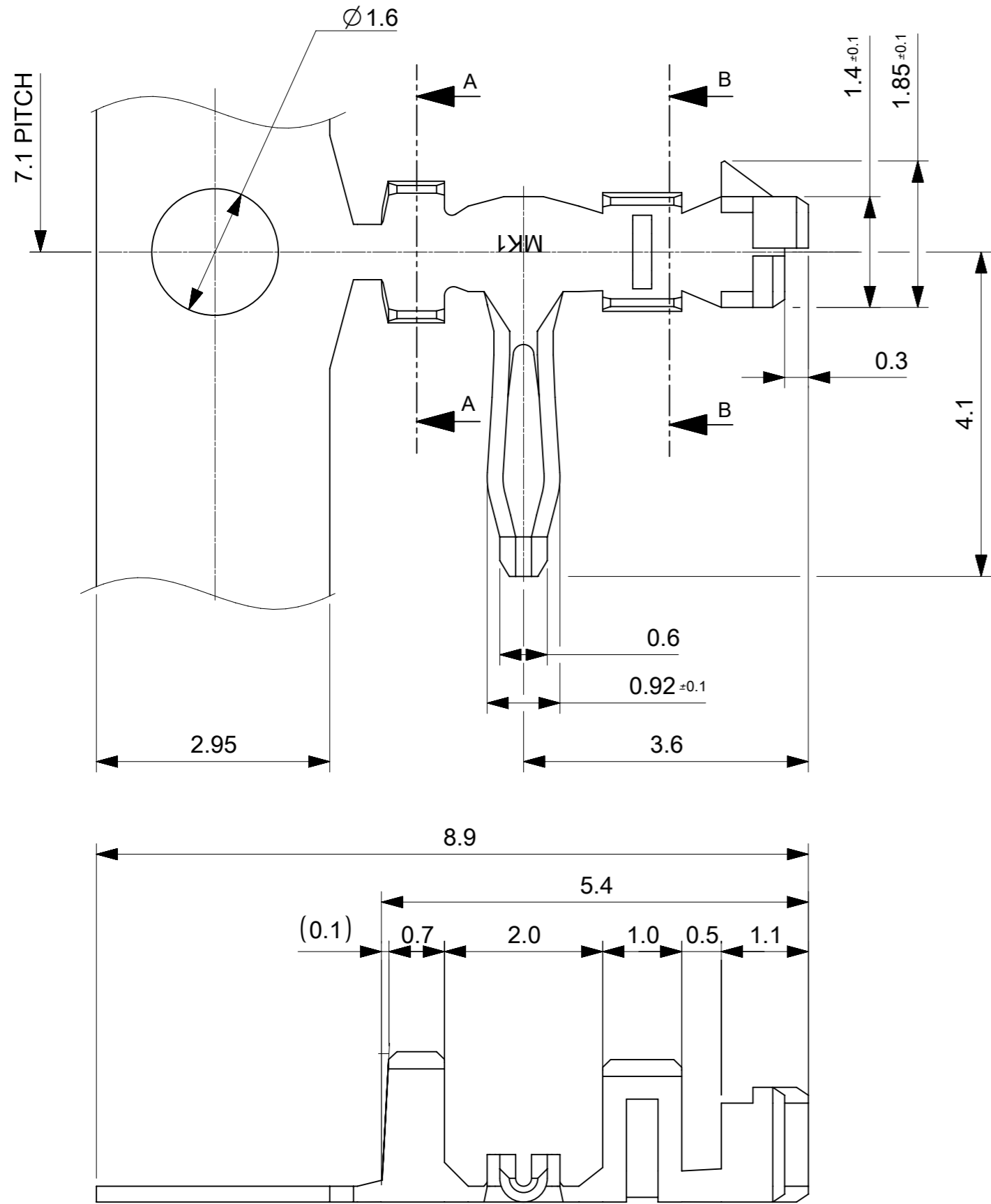
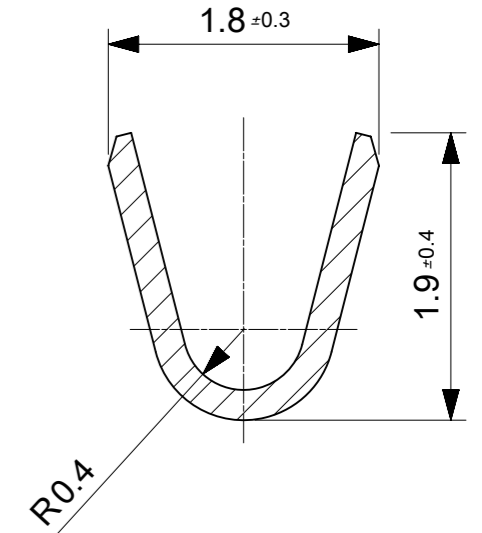


FOR LIMITED USE BY VALEO



SECTION B-B
(Scale 20/1)



SECTION A-A
(Scale 20/1)

NOTE

1. MATERIAL : BRASS (CDA 260)
2. PLATING : PRE PLATED - TIN OVER COPPER
3. PRODUCT SPECIFICATION : PS-2139220000
4. PACKAGING INFORMATION : PK-2139220001
5. USED HOUSING : 35023-00**

AWG#22 (0.35mm ²) AWG#24 (0.22mm ²)	2139221201
WIRE RANGE	MATERIAL NO.

SYMBOLS	THIS DRAWING CONTAINS INFORMATION THAT IS PROPRIETARY TO MOLEX ELECTRONIC TECHNOLOGIES, LLC AND SHOULD NOT BE USED WITHOUT WRITTEN PERMISSION				
	DIMENSION UNITS	SCALE			
▽ = 0	mm	15:1	EC NO: 624995		
▽ = 0	GENERAL TOLERANCES (UNLESS SPECIFIED)		DRWN: JDPARK01 2020/01/09		
▽ = 0	ANGULAR TOL ± °		CHK'D: JBJIN 2020/01/09		
▽ = 0	4 PLACES ±		APPR: YSKIM02 2020/01/09		
▽ = 0	3 PLACES ±		INITIAL REVISION:		
▽ = 0	2 PLACES ±		DRWN: JDPARK01 2020/01/09		
▽ = 0	1 PLACE ± 0.3		APPR: YSKIM02 2020/01/09		
▽ = 0	0 PLACES ±		THIRD ANGLE PROJECTION		
□ = 0	DRAFT WHERE APPLICABLE MUST REMAIN WITHIN DIMENSIONS		DRAWING	SERIES	MATERIAL NUMBER
▽ = 0			A3-SIZE	213922	2139221201
			CUSTOMER	SHEET NUMBER	
			VALEO	1 OF 1	