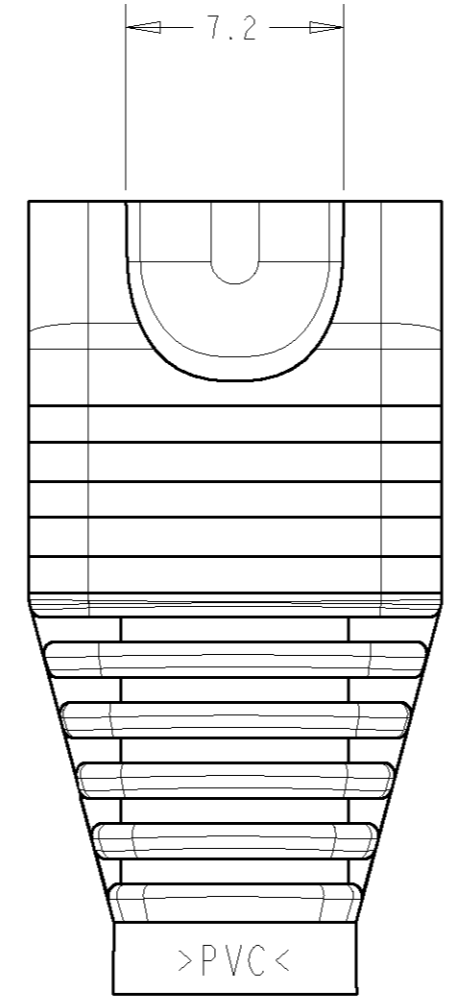
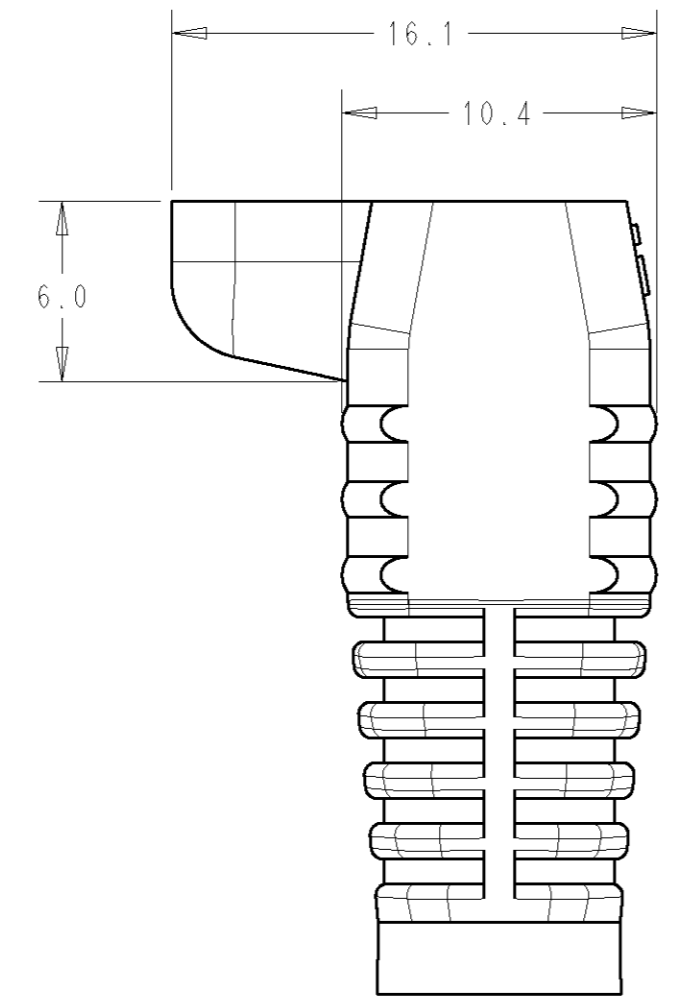
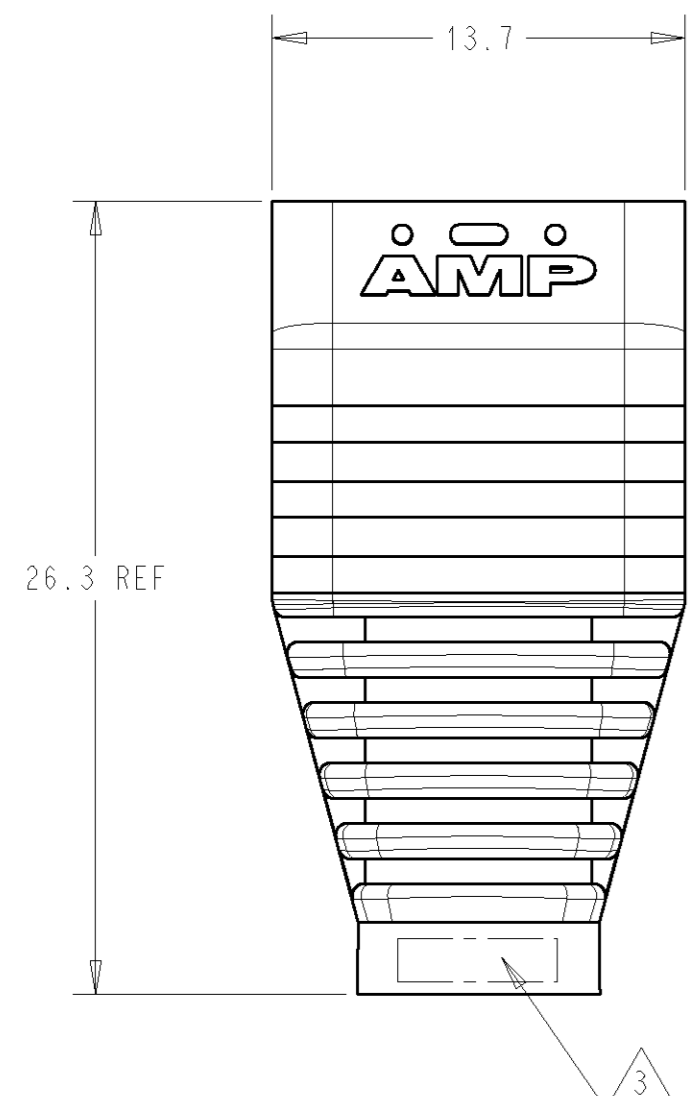


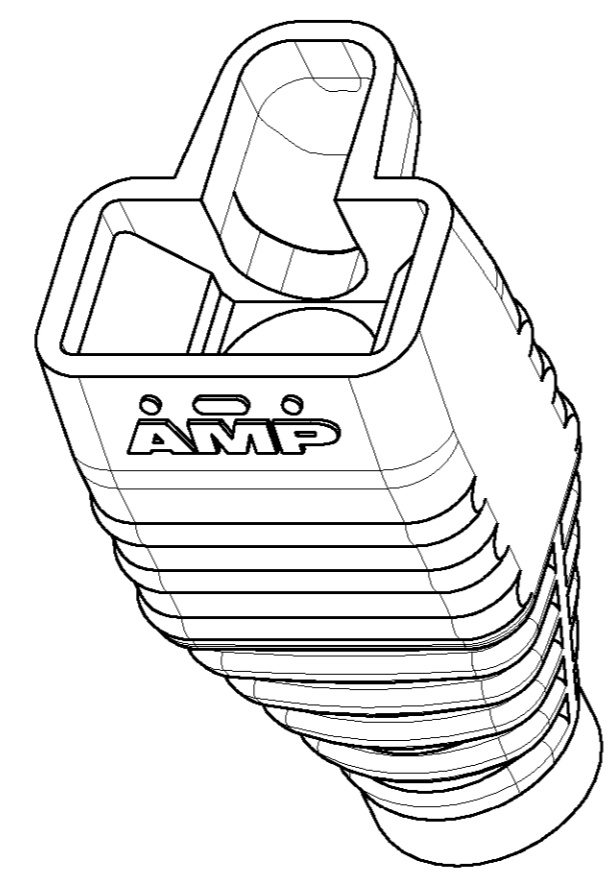
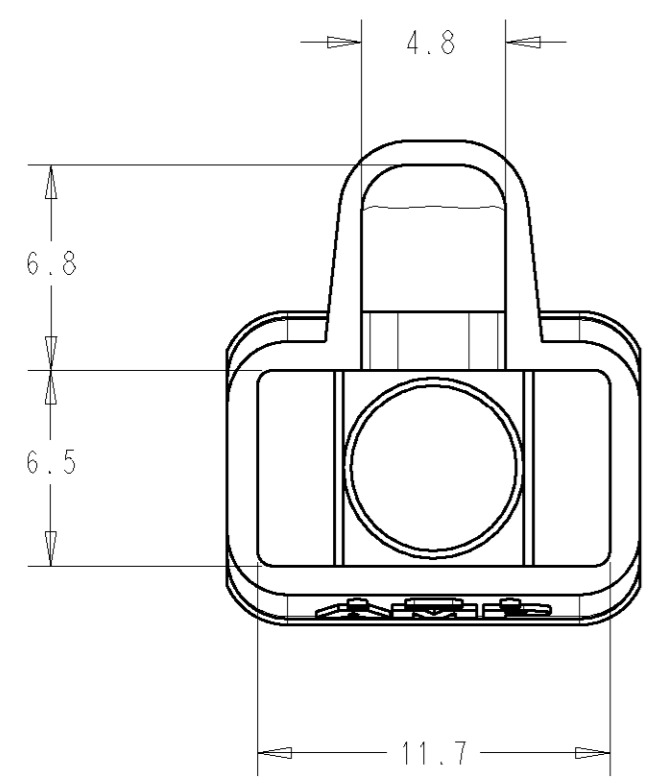
THIS DRAWING IS UNPUBLISHED. RELEASED FOR PUBLICATION .19
 © COPYRIGHT 19 96 BY AMP INCORPORATED. ALL RIGHTS RESERVED.

LOC	DIST	REVISIONS			
P	LTR	DESCRIPTION	DATE	DWN	APVD
		WAS P94-22031	07MAY96	JC	IF
		ES00-0078-96	13JAN97	OP	IF
		ES00-0082-96	20JAN97	OP	IF
		ES00-0053-98	22APR98	JC	OP
		ES00-0086-99	23SEP99	RS	AC



- 1 PACKAGED 100 LOOSE PIECE PER CARTON
- 2 TO BE USED ON CONNECTOR 336330
- 3 MAXIMUM CABLE DIAMETER MARKING IN APPROX. AREA.

- 1 EMBALAJE DE 100 PIEZAS POR CAJA DE CARTON
- 2 SE APLICA EN EL CONECTOR 336330
- 3 MARCAJE DEL DIAMETRO MAXIMO DE CABLE APROX. EN LA ZONA INDICADA.



MAXIMUM CABLE DIAMETER	COLOR	PART NUMBER (REFERENCIA)
Ø 6.0	DARK GREEN (VERDE OSCURO)	3-737893-1
	DARK GREEN (VERDE OSCURO)	2-737893-1
Ø 6.0	BROWN (MARRON)	2-737893-0
	VIOLET (VIOLETA)	1-737893-9
	ORANGE (NARANJA)	1-737893-8
	BLACK (NEGRO)	1-737893-7
	YELLOW (AMARILLO)	1-737893-6
	GREEN (VERDE)	1-737893-5
	BLUE (AZUL)	1-737893-4
	RED (ROJO)	1-737893-3
	GREY (GRIS)	1-737893-2
	WHITE (BLANCO)	1-737893-1
	Ø 5.5	BROWN (MARRON)
VIOLET (VIOLETA)		737893-9
ORANGE (NARANJA)		737893-8
BLACK (NEGRO)		737893-7
YELLOW (AMARILLO)		737893-6
GREEN (VERDE)		737893-5
Ø 5.5	BLUE (AZUL)	737893-4
	RED (ROJO)	737893-3
	GREY (GRIS)	737893-2
	WHITE (BLANCO)	737893-1

DESIGN APPROVED THIS PRINT IS
PRELIMINARY
 TO FIRST PIECE APPROVAL
 CONTACT PRODUCT ENGINEERING
 BEFORE USING THIS PRINT

<small>THIS DRAWING IS A CONTROLLED DOCUMENT FOR AMP INCORPORATED. IT IS SUBJECT TO CHANGE AND THE CONTROLLING ENGINEERING ORGANIZATION SHOULD BE CONTACTED FOR THE LATEST REVISION.</small>		DWN: J. CARBONELL 07MAY96 CHK: J. FREIRE 07MAY96 APVD: - NAME: -	AMP AMP Espanola S.A. Barcelona, Spain.
DIMENSIONS: mm 	TOLERANCES UNLESS OTHERWISE SPECIFIED: 0 PLC ± - 1 PLC ± 0.3 2 PLC ± 0.2 3 PLC ± - 4 PLC ± - ANGLES ± 2° FINISH -	PRODUCT SPEC: 108-19102 APPLICATION SPEC: 114-22008 WEIGHT: - CUSTOMER DRAWING	BOOT, 8 POSN, ROUND CABLE, MOD PLUG MANGUITO, 8 VIAS, CABLE REDONDO, MOD PLUG SIZE: A2 CAGE CODE: 00779 DRAWING NO: 737893 SCALE: 4:1 SHEET 1 OF 1 REV D