

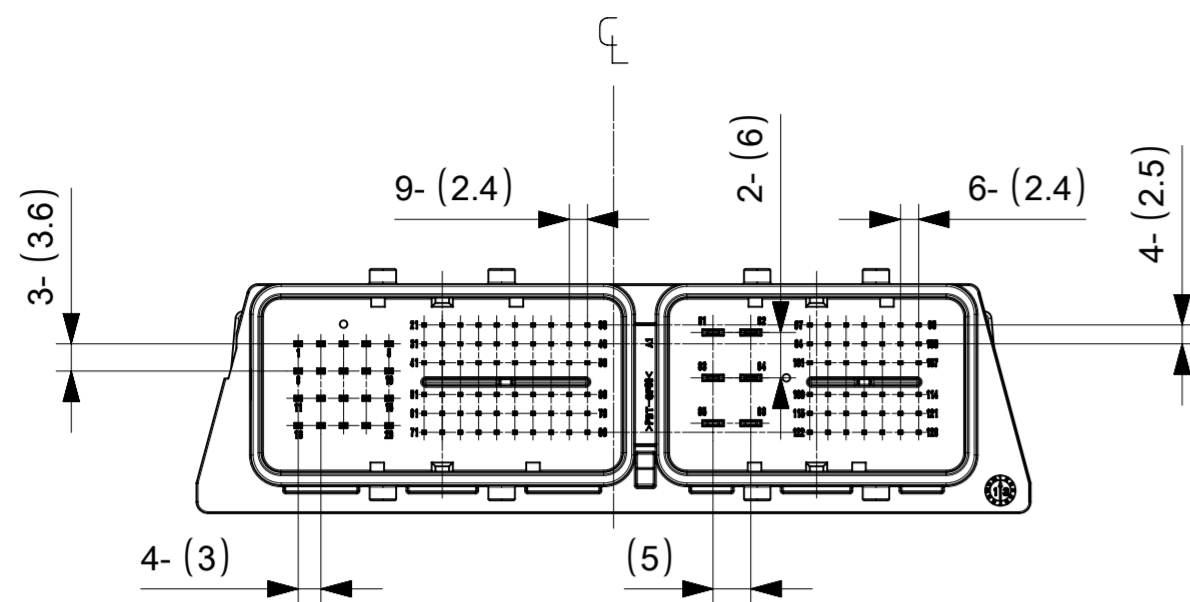
COMPACTUS 128WAY HEADER ASSY	560132-1282
PROCDUT NAME	PART No.

THIS DRAWING CONTAINS INFORMATION THAT IS PROPRIETARY TO MOLEX ELECTRONIC TECHNOLOGIES, LLC AND SHOULD NOT BE USED WITHOUT WRITTEN PERMISSION

DIMENSION UNITS	SCALE	CURRENT REV DESC: PROPOSED							
mm	1:1								
GENERAL TOLERANCES (UNLESS SPECIFIED)		<b>molex</b> COMPACTUS 128WAY HEADER ASSY PRODUCT CUSTOMER DRAWING							
ANGULAR TOL	± °								
4 PLACES	±								
3 PLACES	±								
2 PLACES	±								
1 PLACE	±								
0 PLACES	±	INITIAL REVISION:		DOCUMENT NUMBER	DOC TYPE	DOC PART	REVISION		
GENERAL TOLERANCES (UNLESS SPECIFIED)		EC NO: 641997		2018/04/19		5601320002-SD			
10 UNDER	±0.2	DRWN: KKATO01		2020/07/28		PSD 000 A			
10 OVER 30 UNDER	±0.25	CHK'D: TIIDA01		2020/07/28					
30 OVER	±0.3	APPR: TOSADA		2020/07/28					
ANGULAR	±3°	DRAFT WHERE APPLICABLE MUST REMAIN WITHIN DIMENSIONS		THIRD ANGLE PROJECTION	DRAWING	SERIES	MATERIAL NUMBER	CUSTOMER	SHEET NUMBER
					A2-SIZE	560132	5601321282	GENERAL	1 OF 2

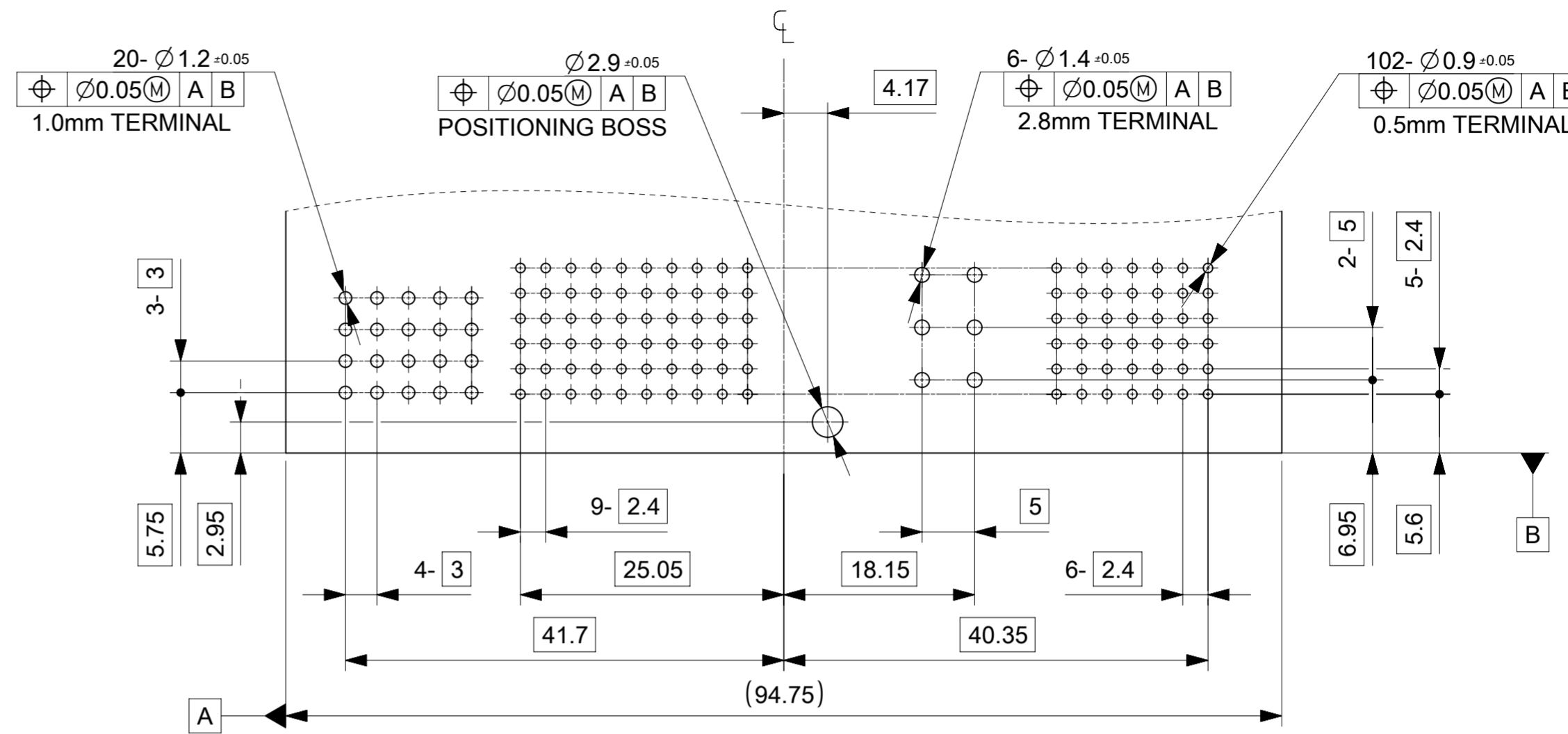
GENERAL TOLERANCES (UNLESS SPECIFIED)	
10 UNDER	±0.2
10 OVER 30 UNDER	±0.25
30 OVER	±0.3
ANGULAR	±3°

DOCUMENT STATUS	P1	RELEASE DATE	2020/07/28	04:52:55
-----------------	----	--------------	------------	----------

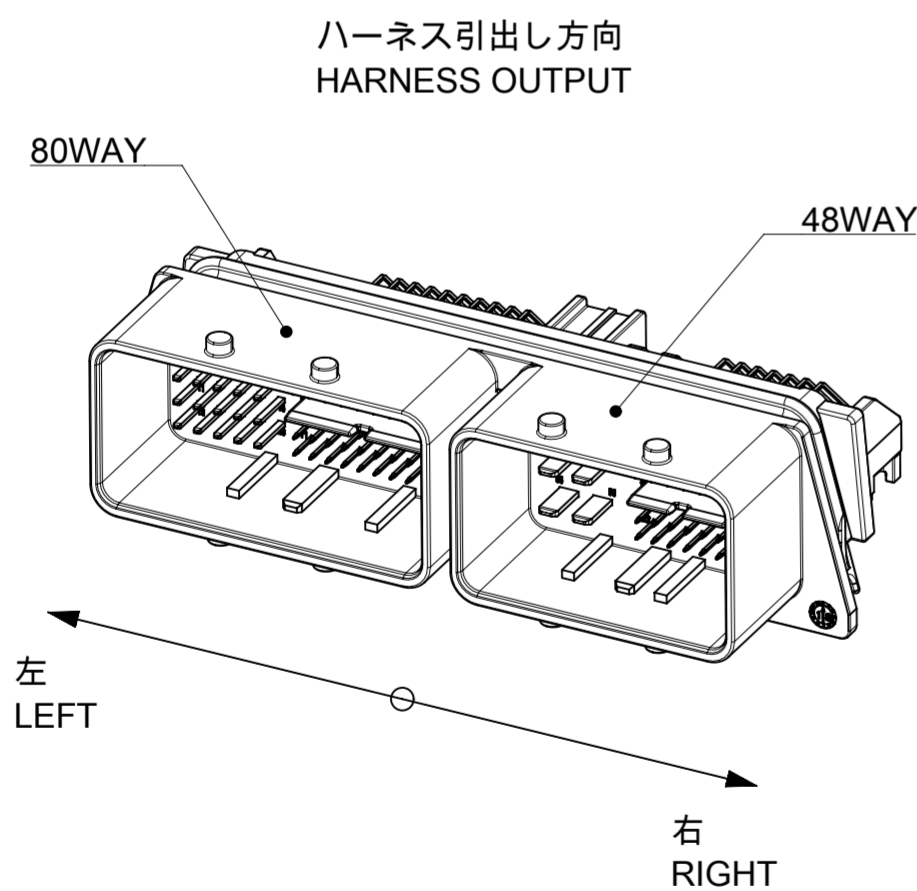


インターフェース毎の端子サイズ及びピン数  
TERMINAL SIZE AND PIN COUNT FOR EACH INTERFACE

80WAY INTERFACE		48WAY INTERFACE	
0.5mm TERMINAL	60 PIN	0.5mm TERMINAL	42 PIN
1.0mm TERMINAL	20 PIN	2.8mm TERMINAL	6 PIN



推奨基板寸法 (コネクタ実装面)  
RECOMMENDED PCB DIMENSIONS (CONNECTOR MOUNTING SIDE)



注記

- 適合嵌合相手コネクタ(MOLEX製)はFIG.1とする。
- 材質  
ハウジング / 整列板 : PBT-GF30、黒色  
端子 : 銅合金 (全端子)
- 端子表面処理 (全端子)  
コンタクト部 : 錫めっき  
テール部 : 錫めっき
- 適合基板厚 : 1.6mm ±0.1
- 製品重量 : 62g

NOTES

- APPLICABLE MATING CONNECTORS(MOLEX) SHALL BE AS FIG.1.
- MATERIAL  
HOUSING / GUIDE PLATE : PBT-GF30%, BLACK  
TERMINAL : COPPER ALLOY (ALL TERMINALS)
- TERMINAL PLATING (ALL TERMINALS)  
CONTACT SIDE : Sn  
TAIL SIDE : Sn
- APPLICABLE PCB THICKNESS : 1.6mm ±0.1
- PRODUCT WEIGHT : 62g

THIS DRAWING CONTAINS INFORMATION THAT IS PROPRIETARY TO MOLEX ELECTRONIC TECHNOLOGIES, LLC AND SHOULD NOT BE USED WITHOUT WRITTEN PERMISSION

DIMENSION UNITS <b>mm</b>	SCALE <b>1:1</b>	CURRENT REV DESC: PROPOSED		<b>molex</b>			
GENERAL TOLERANCES (UNLESS SPECIFIED)		EC NO: 641997					
ANGULAR TOL ± °	4 PLACES ±	DRWN: KKATO01 2018/04/19		PRODUCT CUSTOMER DRAWING			
3 PLACES ±	2 PLACES ±	CHK'D: TIIDA01 2020/07/28		DOCUMENT NUMBER			
1 PLACE ±	0 PLACES ±	APPR: TOSADA 2020/07/28		5601320002-SD			
INITIAL REVISION:		DRWN: KKATO01 2018/04/19		DOC TYPE	DOC PART	REVISION	
DRAFT WHERE APPLICABLE MUST REMAIN WITHIN DIMENSIONS		APPR: TOSADA 2020/07/28		PSD	000	A	
THIRD ANGLE PROJECTION		DRAWING	SERIES	MATERIAL NUMBER	CUSTOMER	SHEET NUMBER	
A2-SIZE		560132	5601321282	GENERAL	2 OF 2		

FIG.1

嵌合相手コネクタ MATING CONNECTOR			
ハース引出し方向 HARNESS OUTPUT	80WAY	48WAY	
左 LEFT	5601548032	5601514832	
右 RIGHT	5601548022	5601514822	

DOCUMENT STATUS	P1	RELEASE DATE	2020/07/28	04:52:55
-----------------	----	--------------	------------	----------