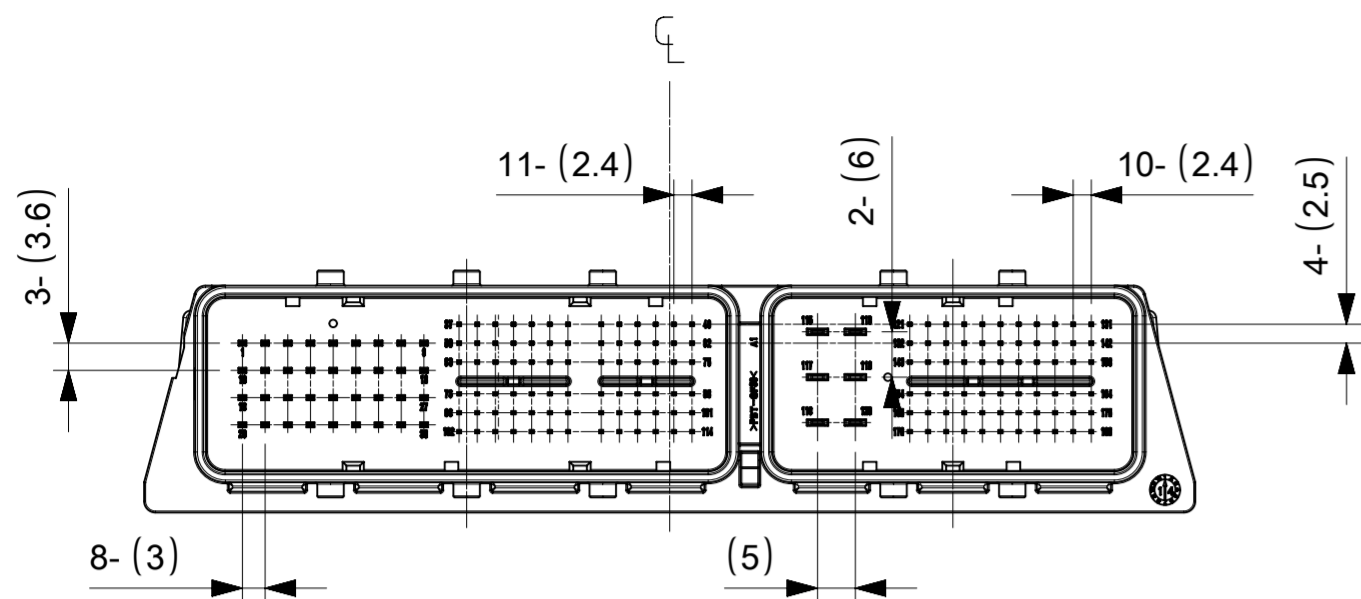


COMPACTUS 186WAY HEADER ASSY 560138-1861
 PROCUDT NAME PART No.

THIS DRAWING CONTAINS INFORMATION THAT IS PROPRIETARY TO MOLEX ELECTRONIC TECHNOLOGIES, LLC AND SHOULD NOT BE USED WITHOUT WRITTEN PERMISSION		CURRENT REV DESC: PROPOSED		molex		
DIMENSION UNITS	SCALE	EC NO: 641997				
mm	1:1	DRWN: KKATO01 2018/04/26		PRODUCT CUSTOMER DRAWING		
GENERAL TOLERANCES (UNLESS SPECIFIED)		CHK'D: TIIDA01 2020/07/28		DOCUMENT NUMBER		
ANGULAR TOL	± °	APPR: TOSADA 2020/07/28		5601380001-SD		DOC TYPE
4 PLACES	±	INITIAL REVISION:		PSD	000	REVISION
3 PLACES	±	DRWN: KKATO01 2018/04/26		A		
2 PLACES	±	APPR: TOSADA 2020/07/28		MATERIAL NUMBER		
1 PLACE	±	DRAFT WHERE APPLICABLE MUST REMAIN WITHIN DIMENSIONS		5601381861		CUSTOMER
0 PLACES	±	THIRD ANGLE PROJECTION		GENERAL		SHEET NUMBER
GENERAL TOLERANCES (UNLESS SPECIFIED)		DRAWING		SERIES		
10 UNDER	±0.2	A2-SIZE		560138		
10 OVER 30 UNDER	±0.25					
30 OVER	±0.3					
ANGULAR	±3°					

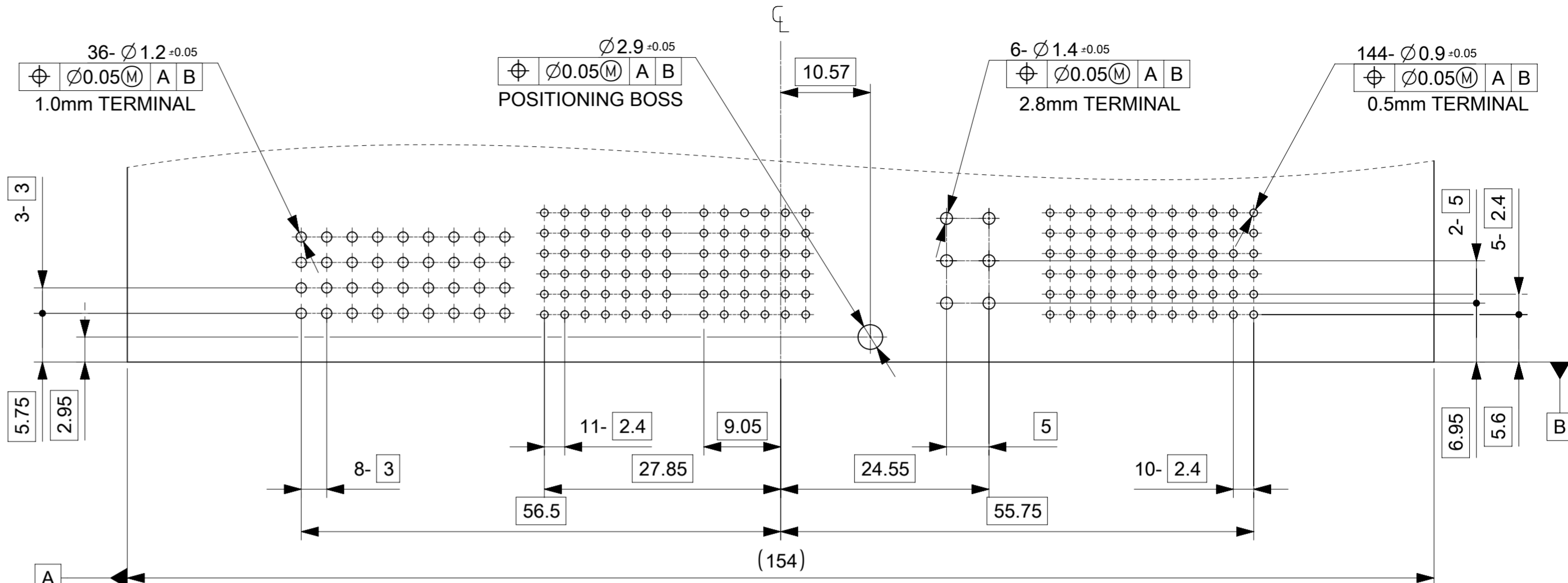
GENERAL TOLERANCES (UNLESS SPECIFIED)	
10 UNDER	±0.2
10 OVER 30 UNDER	±0.25
30 OVER	±0.3
ANGULAR	±3°

DOCUMENT STATUS P1 RELEASE DATE 2020/07/28 04:52:56

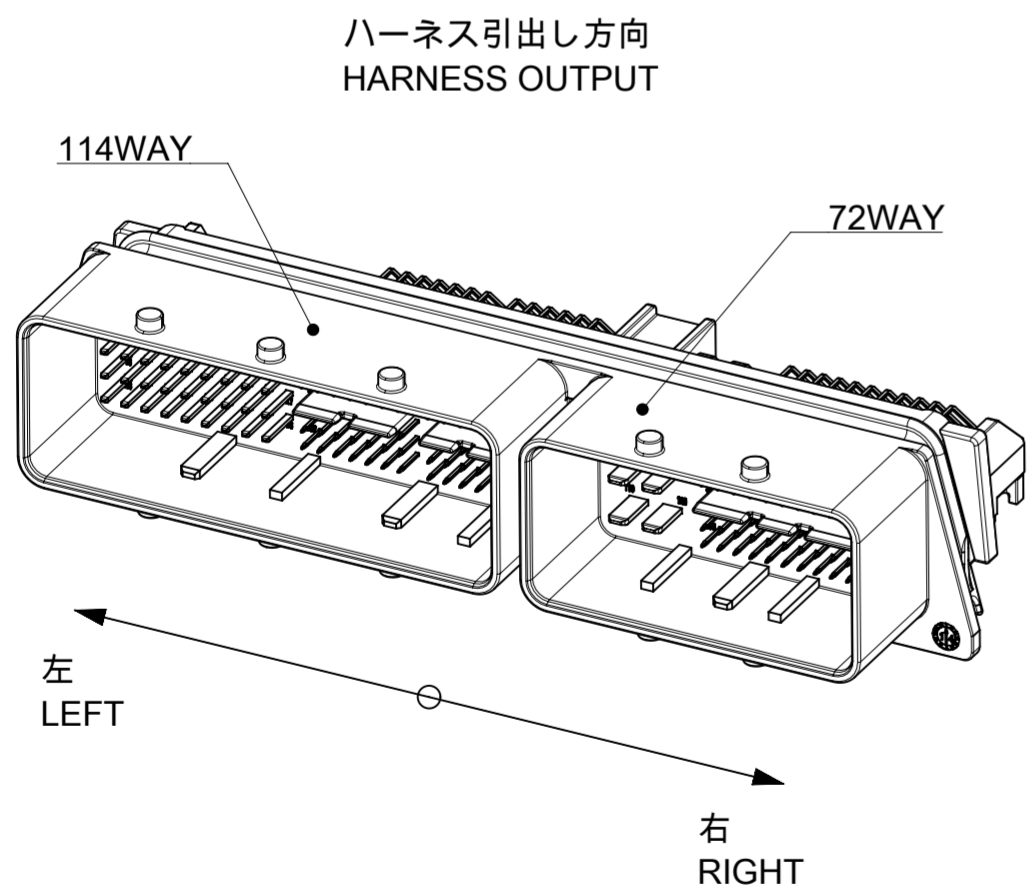


インターフェース毎の端子サイズ及びピン数
TERMINAL SIZE AND PIN COUNT FOR EACH INTERFACE

114WAY INTERFACE		72WAY INTERFACE	
0.5mm TERMINAL	78 PIN	0.5mm TERMINAL	66 PIN
1.0mm TERMINAL	36 PIN	2.8mm TERMINAL	6 PIN



推奨基板寸法 (コネクタ実装面)
RECOMMENDED PCB DIMENSIONS (CONNECTOR MOUNTING SIDE)



注記

- 適合嵌合相手コネクタ(MOLEX製)はFIG.1とする。
- 材質
ハウジング / 整列板 : PBT-GF30、黒色
端子 : 銅合金 (全端子)
- 端子表面处理 (全端子)
コンタクト部 : 錫めっき
テール部 : 錫めっき
- 適合基板厚 : 1.6mm ±0.1
- 製品重量 : 79g

NOTES

- APPLICABLE MATING CONNECTORS(MOLEX) SHALL BE AS FIG.1.
- MATERIAL
HOUSING / GUIDE PLATE : PBT-GF30%, BLACK
TERMINAL : COPPER ALLOY (ALL TERMINALS)
- TERMINAL PLATING (ALL TERMINALS)
CONTACT SIDE : Sn
TAIL SIDE : Sn
- APPLICABLE PCB THICKNESS : 1.6mm ±0.1
- PRODUCT WEIGHT : 79g

THIS DRAWING CONTAINS INFORMATION THAT IS PROPRIETARY TO MOLEX ELECTRONIC TECHNOLOGIES, LLC AND SHOULD NOT BE USED WITHOUT WRITTEN PERMISSION

DIMENSION UNITS mm	SCALE 1:1	CURRENT REV DESC: PROPOSED	molex			
GENERAL TOLERANCES (UNLESS SPECIFIED)						
ANGULAR TOL ± °	4 PLACES ±	3 PLACES ±	PRODUCT CUSTOMER DRAWING			
2 PLACES ±	1 PLACE ±	0 PLACES ±	DOCUMENT NUMBER			
DRAFT WHERE APPLICABLE MUST REMAIN WITHIN DIMENSIONS			SHEET NUMBER			

EC NO: 641997	2018/04/26	5601380001-SD	PSD	000	A
DRWN: KKATO01	2020/07/28				
CHK'D: TIIDA01	2020/07/28				
APPR: TOSADA	2020/07/28	CUSTOMER			
INITIAL REVISION:		GENERAL			
DRWN: KKATO01	2018/04/26	MATERIAL NUMBER			
APPR: TOSADA	2020/07/28	5601381861			
THIRD ANGLE PROJECTION		DRAWING		SERIES	
A2-SIZE		560138		CUSTOMER	
GENERAL		2 OF 2		SHEET NUMBER	

FIG.1

嵌合相手コネクタ MATING CONNECTOR			
ハース引出し方向 HARNESS OUTPUT	114WAY	72WAY	
左 LEFT	5601551412	5601537212	
右 RIGHT	5601551402	5601537202	
DOCUMENT STATUS	P1	RELEASE DATE	2020/07/28 04:52:56