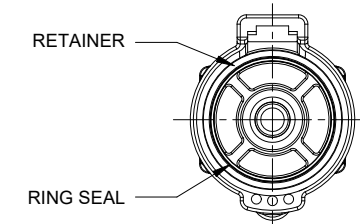
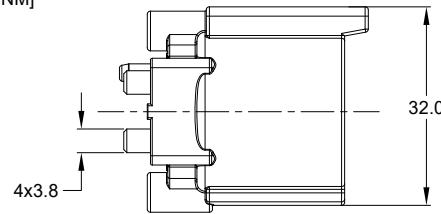
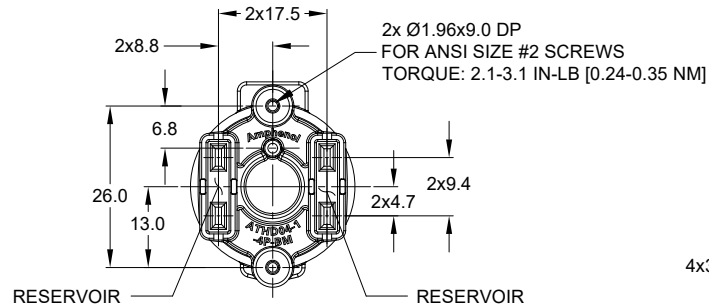
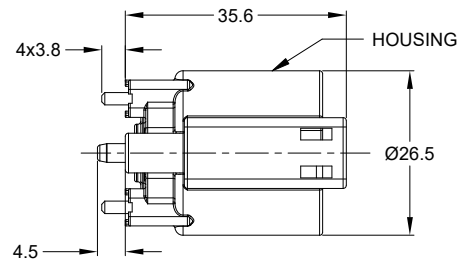


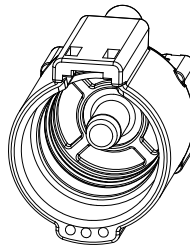
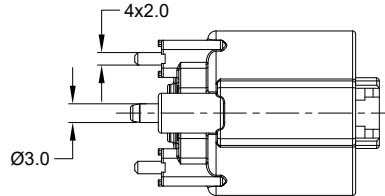
RECOMMENDED PCB LAYOUT



REVISIONS					
REV	ECO	DESCRIPTION	DATE	BY	APPR
A1	-	RELEASED DRAWING	JUN-15-22	VITO	TOMMY

NOTES: UNLESS OTHERWISE SPECIFIED

- MATERIAL:
HOUSING, RETAINER: THERMOPLASTIC; COLOR: BLACK
CONTACT: COPPER ALLOY
SEAL: SILICONE RUBBER
- MODIFICATIONS: BOARDLOCK, SELF-THREADING
- SPECIFICATIONS:
 - CURRENT RATING: 100 AMPS
 - OPERATING TEMPERATURE: -55°C TO +125°C
 - DIELECTRIC WITHSTANDING VOLTAGE: LESS THAN 2 MILLIAMPS CURRENT LEAKAGE @ 1500 VOLTS AC.
 - INSULATION RESISTANCE: 1000 MEGOHMS MIN @ 25°C.
 - MOISTURE RESISTANCE:
IP68 (IM OF WATER FOR A PERIOD OF 24 HOURS, MATED CONDITION);
IP69K (MATED CONDITION)
 - MATING CYCLE DURABILITY: 100 CYCLES
 - RoHS COMPLIANT
- MATING PART: ATHD06-1-4S-XX PLUG (XX = MODIFICATIONS)
- ALL DIMENSIONS ARE FOR REFERENCE USE ONLY.



ATHD04-1-4P-BM1X VARIANTS			
CONTACT PLATING	POTTING OR NOT IN RESERVOIR	PART NUMBER	WEIGHT (GRAMS)
MATING END: GOLD PCB END: TIN	NO POTTING	ATHD04-1-4P-BM11	23.8
MATING END: GOLD PCB END: TIN	POTTING	ATHD04-1-4P-BM12	25.6
MATING END: NICKEL PCB END: TIN	NO POTTING	ATHD04-1-4P-BM13	23.8
MATING END: NICKEL PCB END: TIN	POTTING	ATHD04-1-4P-BM14	25.6

QUANTITY	ATHD04-1-4P-BM1X PART NUMBER	DESCRIPTION	ITEM

MATERIALS LIST			
UNLESS OTHERWISE SPECIFIED 1) All dimensions are in metric (mm). 2) Tolerances are as follows: 1 PL DEC ±0.30 Fractions ±1/64 2 PL DEC ±0.15 3 PL DEC ±0.08 3) Note reference =		SIGNATURES DATE DRAWN: VITOLJ JUN-15-22 CHECKED: SULLENZHANG JUN-16-22 APPROVAL: TOMMY XIE JUN-17-22	
MATERIAL SPECIFICATIONS: PROCESS SPECIFICATIONS: NEXT ASSY:		Amphenol Sine Systems - www.amphenol-sine.com 44724 Morley Drive Clinton Township, MI 48036 SINGLE POS, RECEPTACLE, PIN, SIZE 4, BOARDLOCK, ATHD SERIES, SELF-THREADING	
THIS DRAWING IS SUPPLIED FOR INFORMATION ONLY. DESIGN FEATURES, SPECIFICATIONS AND PERFORMANCE DATA SHOWN HEREON ARE THE PROPERTY OF THE AMPHENOL CORPORATION. NO RIGHTS OF REPRODUCTION ARE IMPLIED. ALL DIMENSIONS ARE SUBJECT TO NORMAL MANUFACTURING VARIATIONS.		SIZE: B TYPE: C- SCALE: NONE	DWG NO: ATHD04-1-4P-BM1X REVISION: A1
		SHEET 1 OF 1	

TITLE: SINGLE POS, RECEPTACLE, PIN, SIZE 4, BOARDLOCK, ATHD SERIES, SELF-THREADING
 DWG NO: ATHD04-1-4P-BM1X
 REV: A1
 SH: 1
 OF: 1