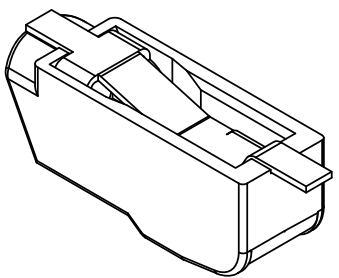
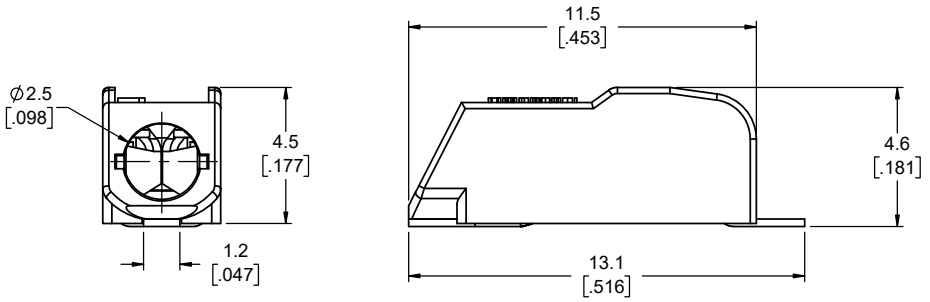
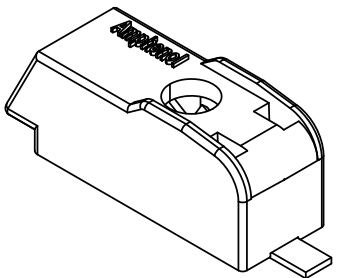
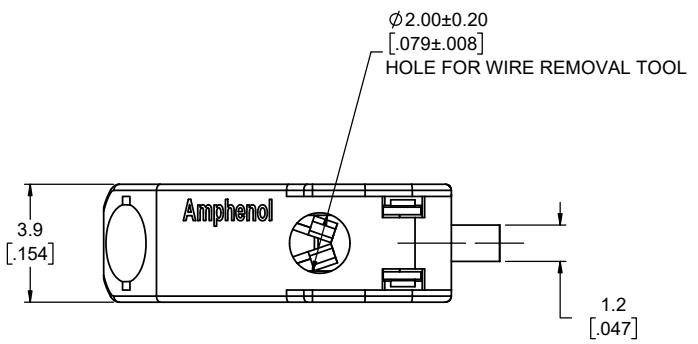


REVISIONS			
REV	DESCRIPTION, ECN, EAR NO.	DATE	APP'D
E	PRODUCT DWG - EAR 15077	JUN08/23	C.Z.
F	PRODUCT DWG - EAR 15077	JUN28/23	C.Z.



**GENERAL NOTES:**

- MATERIALS: ALL MATERIALS ARE RoHS COMPLIANT PER EU DIRECTIVE 2011/65/EU & AMENDMENTS.**
  - HOUSING: LCP, WHITE.
  - CONTACTS: Cu ALLOY, TIN-PLATED.
- ELECTRICAL CHARACTERISTICS:**
  - CURRENT RATING: 7A (18 AWG), 5A (20 AWG), 3A (22 AWG), 2A (24AWG), PER CONTACT.
  - VOLTAGE RATING: 250V.
- OPERATING TEMPERATURE RANGE: -40°C TO +105°C.**
- MECHANICAL CHARACTERISTICS:**
  - DIRECT INSERTION OF SOLID WIRE OR STRANDED WIRE WITH TINNED END.
  - WIRE CROSS-SECTION:  $\phi 1.10\text{mm}$  MAXIMUM, WITH INSULATION OD  $\phi 2.40\text{mm}$  MAXIMUM.
  - WIRE RANGE:  
 18 AWG SOLID.  
 24-20 AWG SOLID & STRANDED WITH TINNED END.
- REFER TO PRODUCT SPEC S6222C AND APPLICATION SPEC S6236C FOR MORE DETAILS.**

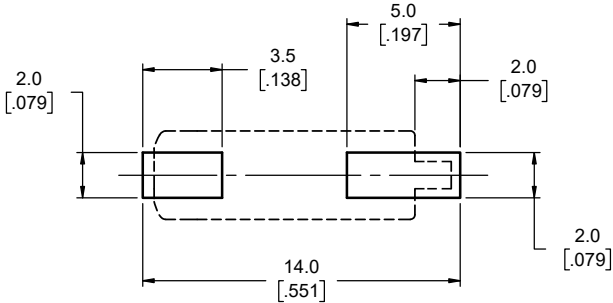


UNLESS SPECIFIED OTHERWISE	DRAWN	C. ZHANG	MAY05/22
PRIMARY UNITS MILLIMETRES	CHECKED		
SECONDARY INCHES	M.E. APP'D		
REFERENCE IN PARENTHESES	Q.A. APP'D		
GENERAL TOLERANCES	DWG APPR.	C. ZHANG	SEP07/22
1 DECIMAL PLACE $\pm 0.30$	ENG. REL. NO.	EAR 15077	
2 DECIMAL PLACES $\pm 0.10$	REF.		
3 DECIMAL PLACES	THIRD ANGLE PROJECTION		
ANGULAR DEGREES	DO NOT SCALE DRAWING		

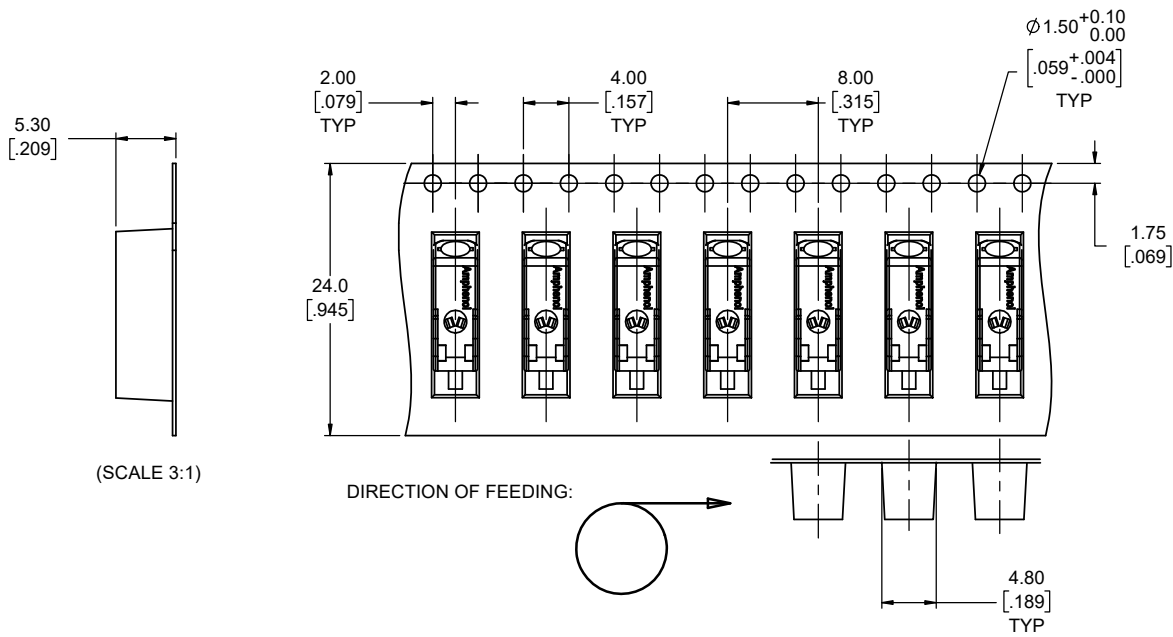
**Amphenol Canada Corp.**  
 Commercial Products  
 FLT SERIES, SMD  
 TERMINAL BLOCK - 1 POLES  
 RoHS COMPLIANT  
 DWG. NO. **P-FLT-S12WR-00**  
 REF. **F**  
 CODE ID NO. 03554 | DWG SIZE: X | SCALE: 6:1 | SHEET 1 OF 2

REVISIONS			
REV	DESCRIPTION, ECN, EAR NO.	DATE	APP'D
E	PRODUCT DWG - EAR 15077	JUN08/23	C.Z.
F	PRODUCT DWG - EAR 15077	JUN28/23	C.Z.

**PCB LAYOUT:**



**PACKAGING:**



UNLESS SPECIFIED OTHERWISE	DRAWN	C. ZHANG	MAY05/22
PRIMARY UNITS MILLIMETRES	CHECKED		
SECONDARY INCHES	M.E. APP'D		
REFERENCE IN PARENTHESES	Q.A. APP'D		
GENERAL TOLERANCES	DWG APPR.	C. ZHANG	SEP07/22
1 DECIMAL PLACE $\pm 0.30$	ENG. REL. NO.	EAR 15077	
2 DECIMAL PLACES $\pm 0.10$	REF.		
3 DECIMAL PLACES	THIRD ANGLE PROJECTION		DO NOT SCALE DRAWING
ANGULAR DEGREES			

<b>Amphenol Canada Corp.</b> Commercial Products	
FLT SERIES, SMD TERMINAL BLOCK - 1 POLES RoHS COMPLIANT	
DWG. NO.	REV
<b>P-FLT-S12WR-00</b>	<b>F</b>
CODE ID NO. 03554	DWG SIZE: X
SCALE: 6:1	SHEET 2 OF 2

THIS DOCUMENT CONTAINS PROPRIETARY INFORMATION AND SUCH INFORMATION MAY NOT BE DISCLOSED TO OTHERS FOR ANY PURPOSE OR USED FOR MANUFACTURING PURPOSES WITHOUT WRITTEN PERMISSION FROM AMPHENOL CANADA CORP.