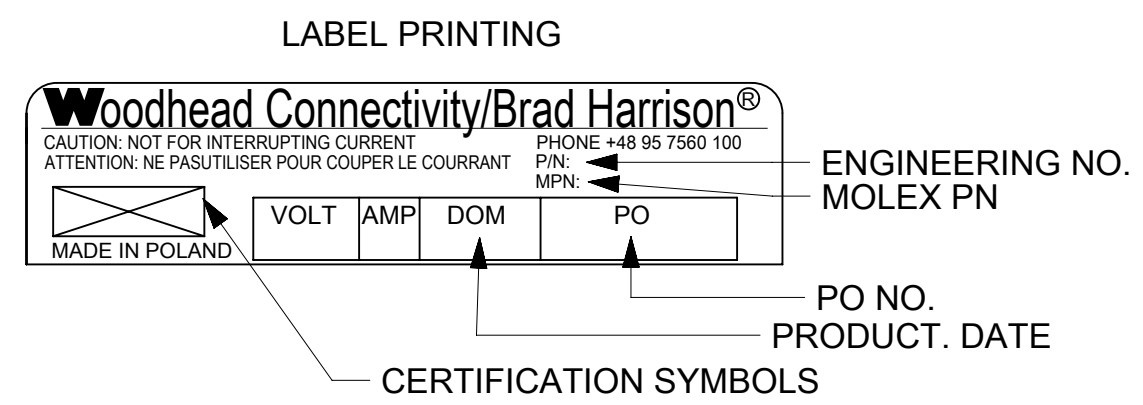


**PART LIST**

Part No.	Engineering No.	Cable Length+Tol.
1203411135	E12A03004M003	0.3 m
1203411136	E12A03004M005	0.5 m
1203410812	E12A03004M010	1 m



**PART NUMBER MATRIX**  
**E12A03004M010**

**LENGTH**  
 M001 = .1 METERS  
 M010 = 1.0 METERS  
 M100 = 10.0 METERS

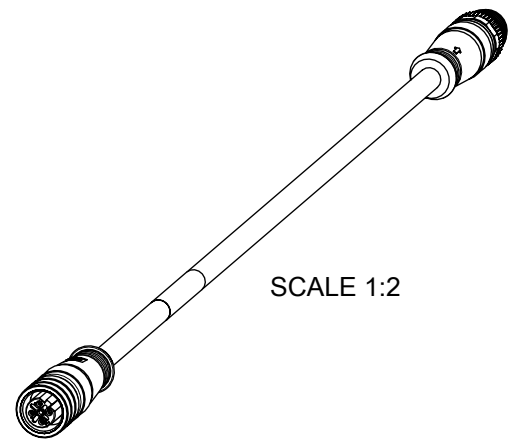
**CABLE LENGTH TOLERANCES**

>.3M [1FT]:	+19mm-0 [+ .75in-0]
.3 - .9M [1 - 3FT]:	+44.5mm-0 [+1.75in-0]
.9 - 1.8M [3 - 6FT]:	+55.6mm-0 [+2.19in-0]
1.8 - 3.7M [6 - 12FT]:	+88.9mm-0 [+3.50in-0]
3.7 - 7.3M [12 - 24FT]:	+165.1mm-0 [+6.50in-0]
7.3-14.6M [24 - 48FT]:	+317.5mm-0 [+12.50in-0]
14.6 - 30.5M [48-100FT]:	+622.3mm-0 [+24.50in-0]
OVER 30M [100FT]	+2% OF FINISHED LENGTH

- NOTES:**
1. MATERIAL: AS NOTED
  2. FINISH: AS NOTED
  3. ELECTRICAL:  
VOLTAGE: 48V  
CURRENT: 0.5A
  4. OPERATING TEMP RATING: -20°TO +75°C
  5. PROTECTION: IP67 (WHEN MATED)
  6. COUPLING THREAD: M12 X 1
  7. ALL DIMENSIONS ARE FOR REFERENCE UNLESS NOTED OTHERWISE NOTED
  8. LABEL PRINTING ACC. STANDARD LABEL INSTRUCTION

**BILL OF MATERIAL**

ITEM	DESCRIPTION	MATERIAL	FINISH
10	WRAP LABEL	VINYL	BLACK/YELLOW
9	MALE INSERT	PUR	BLACK
8	FEMALE INSERT	PUR	BLACK
7	O-RING	VITON	RED
6	FEMALE COUPLER	BRASS	NICKEL PLATED
5	MALE COUPLER	BRASS	NICKEL PLATED
4	OVERMOLD	TPE	BLACK
3	FEMALE CONTACT	COPPER ALLOY	GOLD PLATED
2	MALE PIN CONTACT	COPPER ALLOY	GOLD PLATED
1	CABLE #24-4 AWG DIA 6.5mm	TPE	TEAL



FUNCTIONAL SYMBOLS	DIMENSION UNITS	SCALE	THIS DRAWING CONTAINS INFORMATION THAT IS PROPRIETARY TO MOLEX ELECTRONIC TECHNOLOGIES, LLC AND SHOULD NOT BE USED WITHOUT WRITTEN PERMISSION				
▽A = 0	HYBRID	2:1	CURRENT REV DESC: NEW P/N'S AND LABEL PRINTING ADDED				
▽E = 0	GENERAL TOLERANCES (UNLESS SPECIFIED)		EC NO: 749366				
▽F = 0	ANGULAR TOL ± °		DRWN: RSCHIEBER 2023/05/11				
	4 PLACES ±		CHK'D: RSILLER 2023/05/12				
	3 PLACES ±		APPR: RSILLER 2023/05/12				
	2 PLACES ±		INITIAL REVISION:				
	1 PLACE ±		DRWN: MZIELINSKI 2017/03/20				
	0 PLACES ±		APPR: BWOODMAN 2017/03/30				
DRAFT WHERE APPLICABLE MUST REMAIN WITHIN DIMENSIONS		THIRD ANGLE PROJECTION	DRAWING	SERIES	MATERIAL NUMBER	CUSTOMER	SHEET NUMBER
		⊕	A3-SIZE	120341	SEE PART LIST		1 OF 1