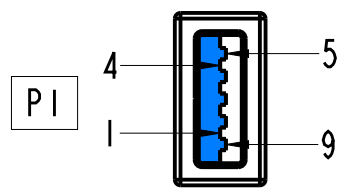
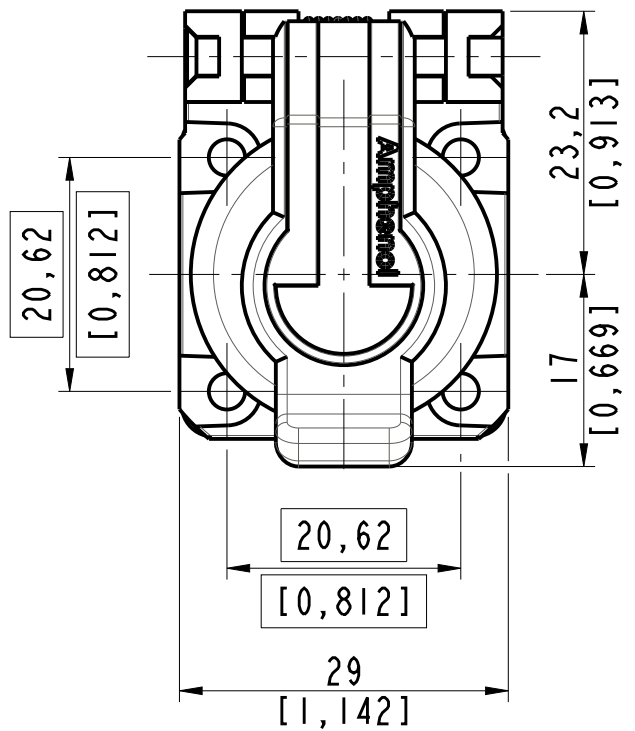
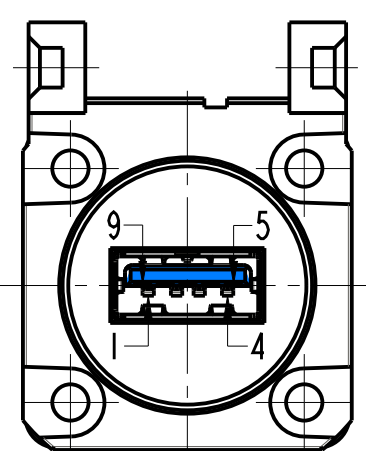


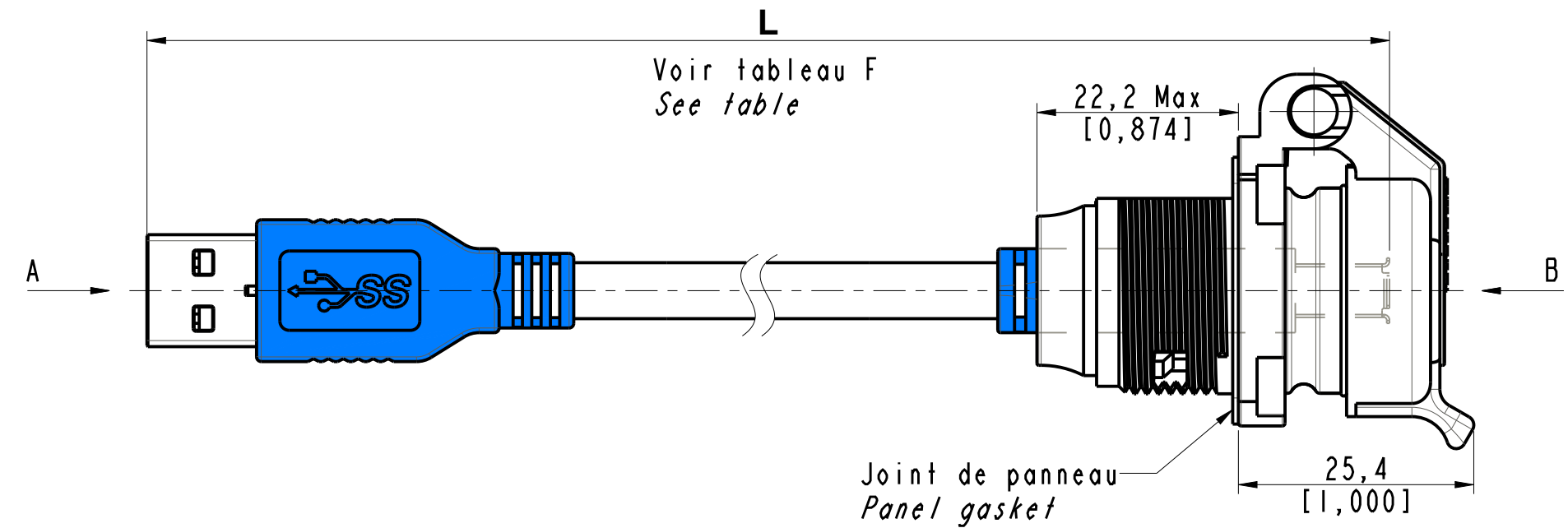
IN THE CONSTANT PURPOSE OF IMPROVING ITS PRODUCTS, AMPHENOL SOCAPEX RESERVES THE RIGHT TO MODIFY ANY DIMENSION OR CHARACTERISTICS. FM.NPD.0036.THYZE.PUNE rev C



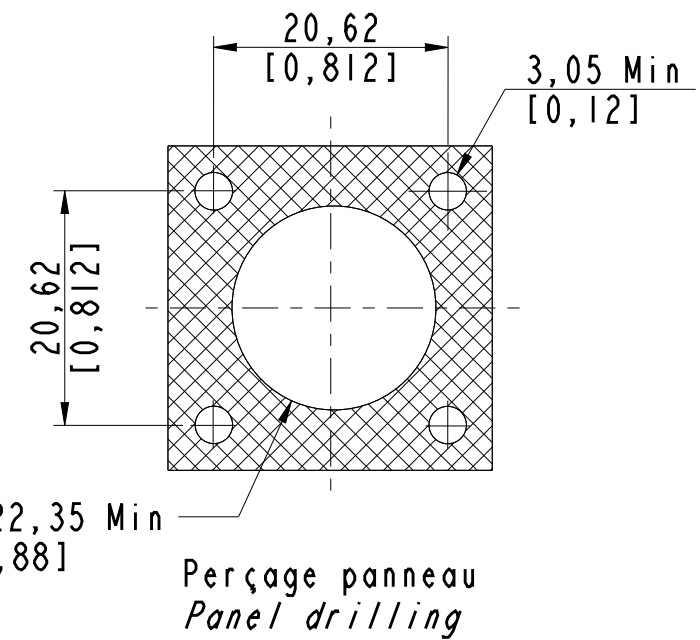
Vue A / View A



USB3,0-A
Vue B avant sans bouchon
Front view B without cap
Affectation des broches / Pin assignments



Joint de panneau
Panel gasket



Perçage panneau
Panel drilling

Voir le tableau F pour la longueur
See table F for length

USB3APSCC22XXA
Cordon assemblage
Cable assembly

Tableau / Table F

Référence Part number	L +50mm 0
USB3APSCC2203A	0,3M
USB3APSCC2205A	0,5M
USB3APSCC2210A	1M
USB3APSCC2215A	1,5M
USB3APSCC2218A	1,8M
USB3APSCC2220A	2 M

USB3.0-A câblage / USB3.0-A cabling

P1	Couleur ou nature du fil Color or nature of the wire	P2	Nom du signal Name of the signal
1	Rouge / Red	1	VBUS
2	Blanc / White	2	D-
3	Vert / Green	3	D+
4	Noir / Black	4	GND
5	Bleu / Blue	5	STDA_SSRX-
6	Jaune / Yellow	6	STDA_SSRX+
7	Drain	7	GND
8	Violet / Purple	8	STDA_SSTX-
9	Orange / Orange	9	STDA_SSTX+
Corps Body	Tresse / Braid	Corps Body	Blindage Shielding

Notas / Notes:
Dimensions en / in mm
Dimensions [] en / in inches

DRAWN BY: S Kekan	UPDATED BY: -	LAST APPROVED BY: M Peters	
ALL DIMENSIONS ARE IN MM	AMPHENOL SOCAPEX B.P. 29 74311 THYZE CEDEX	ORIGINAL DRAWING DATE: 06/02/23	CONFIGURATION DATA ARE AVAILABLE IN PDM
SCALE: 1,5		REV: A	PAGE: 1/1
191-PLC-1212-00			