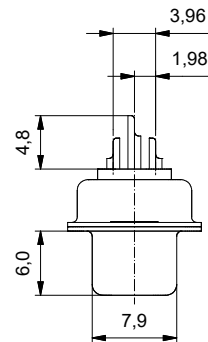
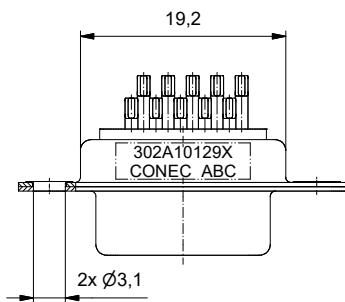
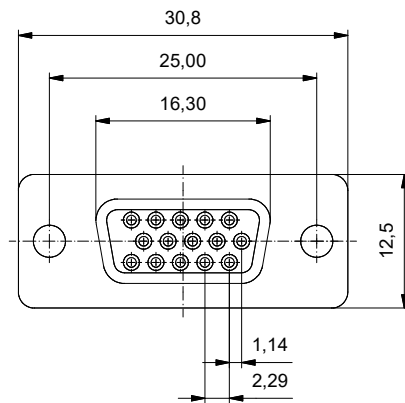


**Technical specification/
Technische Daten:**

Working voltage/ Betriebsspannung:	60 V AC/DC
Insulation resistance/ Isolationswiderstand:	min. 3000 MOhm
Dielectric withstanding voltage/ Spannungsfestigkeit:	1000 V AC / minute
Operating temperature/ Betriebstemperatur:	- 55 °C ... + 105 °C
Current rating/ Strombelastbarkeit:	3 A
Contact Resistance/ Durchgangswiderstand:	max. 15 mOhm

**Materials/
Werkstoffe:**

Contact/ Kontakt:	Cu alloy, Underplate/ 50 µin Nickel Beschichtung: Contact area/ Kontaktbereich: Gold flash Solder tails area/ Lötbereich: Gold flash
Shell/ Gehäuse:	Steel, Nickel plated
Rivet, Boardlock/ Befestigungsniet:	Copper alloy
Insulator/ Isolierkörper:	Thermal plastic UL 94 V-0



Part no. / Part marked/ Art.-Nr. / Bedruckung:
302A10129X

general tolerance/ Allgemeintoleranz: 0, ±0.5 ,0 ±0.3 ,00 ±0.2	Date/Datum: 04.07.2022 Name: Bub drawn/ges.: appd./gepr.: 22.08.2022 Lehmenkühler	D-SUB HD Female 15pos. solder cup stamped contacts D-SUB HD Buchsenleiste 15pol. Lötkelech gestanzte Kontakte	
		Index: a Original	Scale/Maßstab: 2:1
RoHS compliant/ konform			

The reproduction, distribution and sale of this document as well as the communication of its contents to others without express authorization is prohibited. Offenders will be held liable for the payment of damages. We reserve the right to withdraw or amend this document. Invoicing and billing for individual copies will be made without charge.