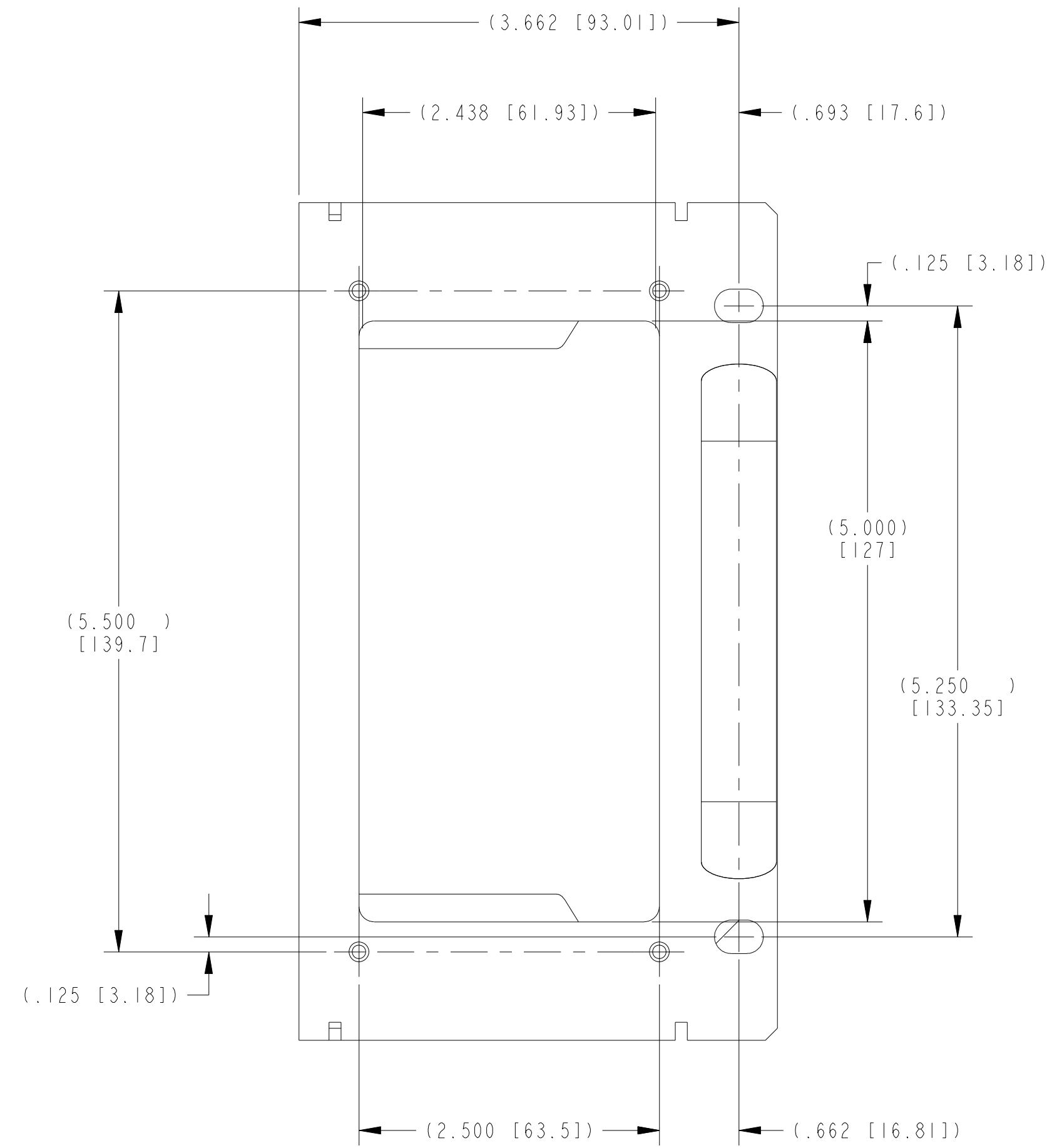
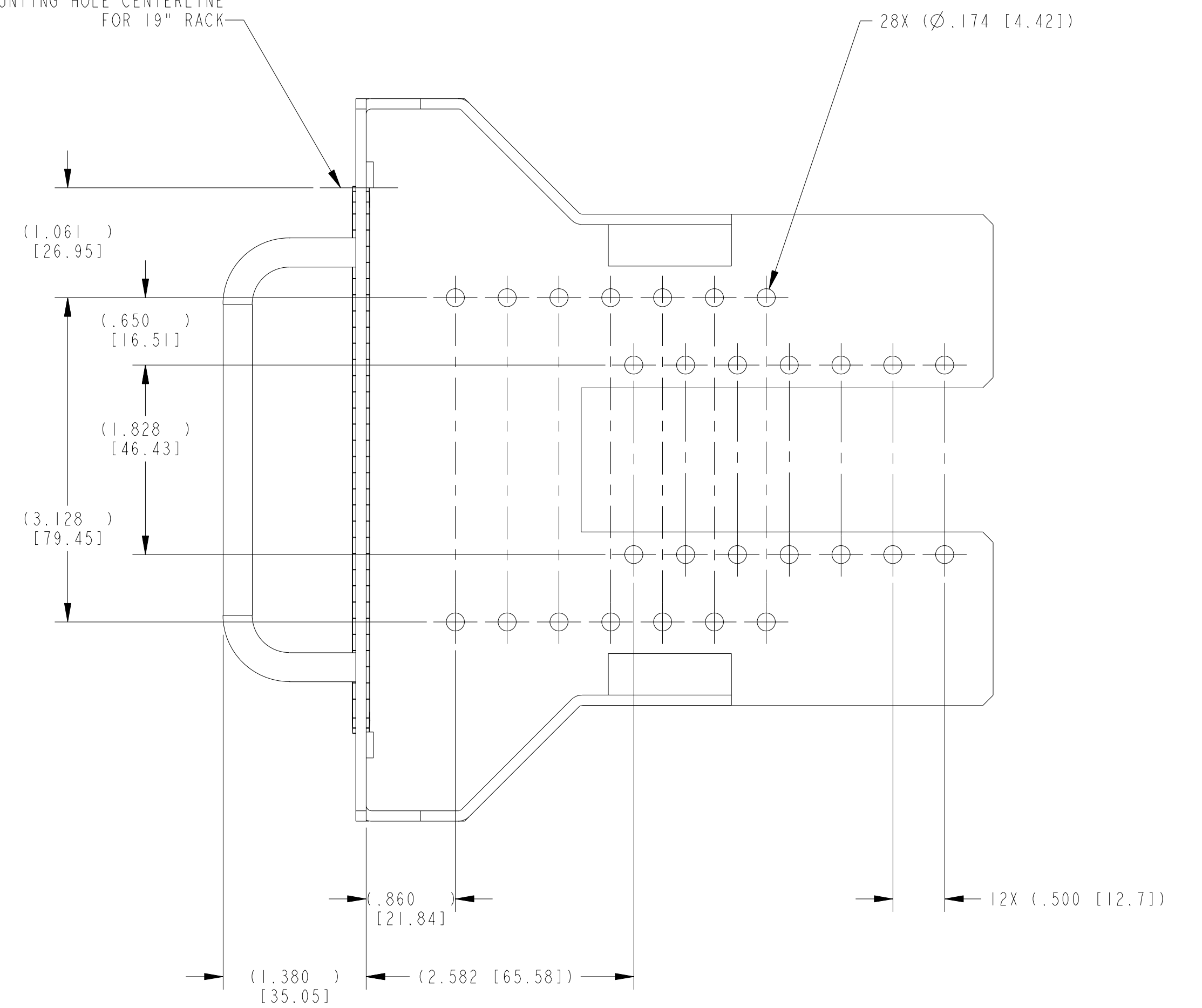


4X SCREW, FLATHEAD, UNDERCUT,  
 PHILLIPS, 440 X .25 [6.4]

INSTALLED RACK MOUNTS  
 SCALE 1/2



MOUNTING HOLE CENTERLINE  
 FOR 19" RACK

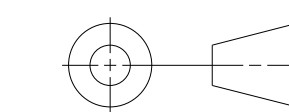


RIGHT RACK MOUNT BRACKET

3. FILLER PANEL CAN BE MODIFIED FOR USE WITH BULKHEAD CABLES.
  2. NI COMPASS WHITE COLOR.
  1. DIMENSIONS IN ( ) ARE FOR REFERENCE ONLY.
- NOTES: UNLESS OTHERWISE SPECIFIED.

UNLESS OTHERWISE SPECIFIED  
 DIMENSIONS ARE IN INCHES AND  
 [MILLIMETERS].

DO NOT SCALE DRAWING  
 THIRD ANGLE PROJECTION

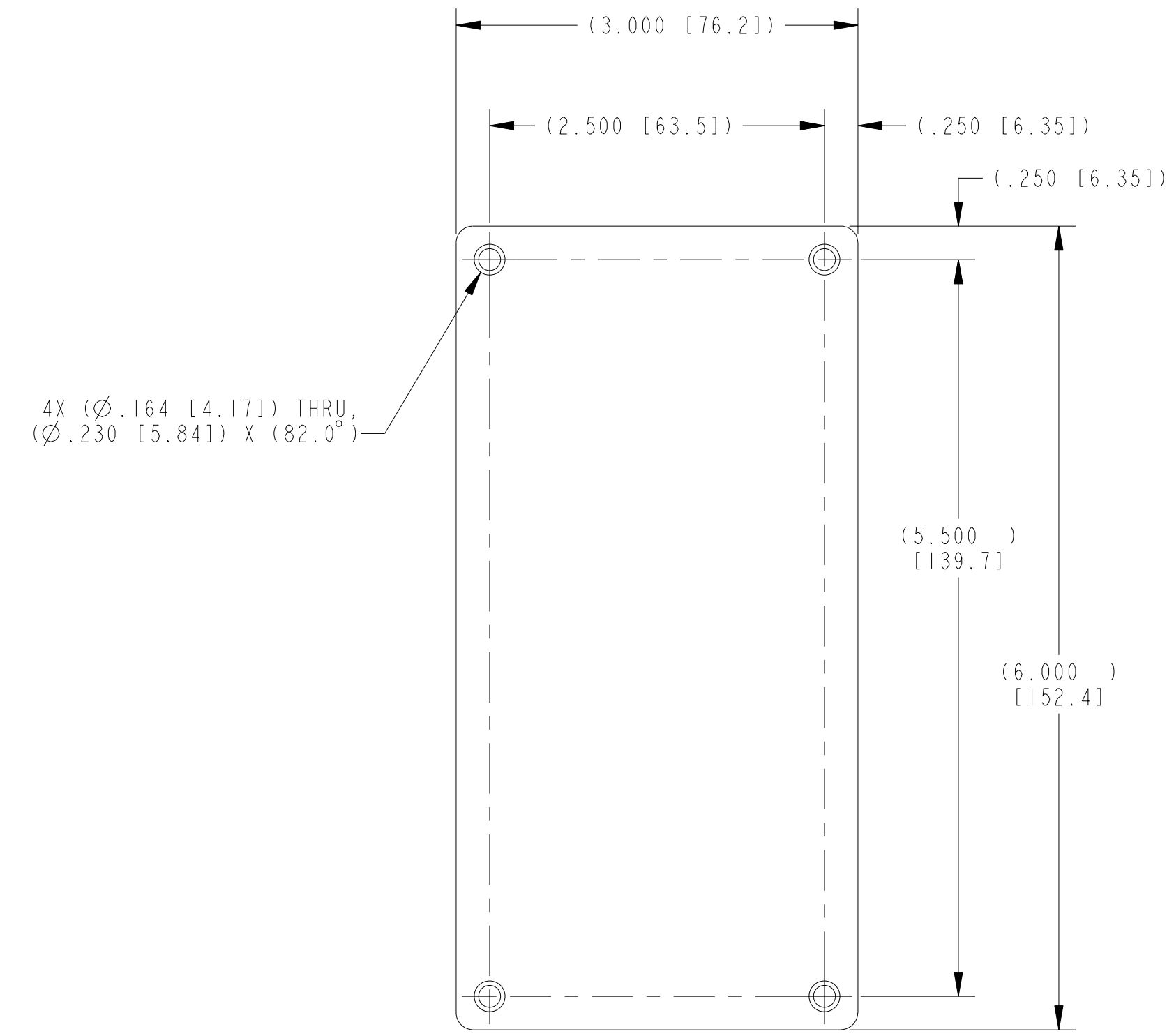


**NATIONAL INSTRUMENTS**®  
 AUSTIN, TEXAS

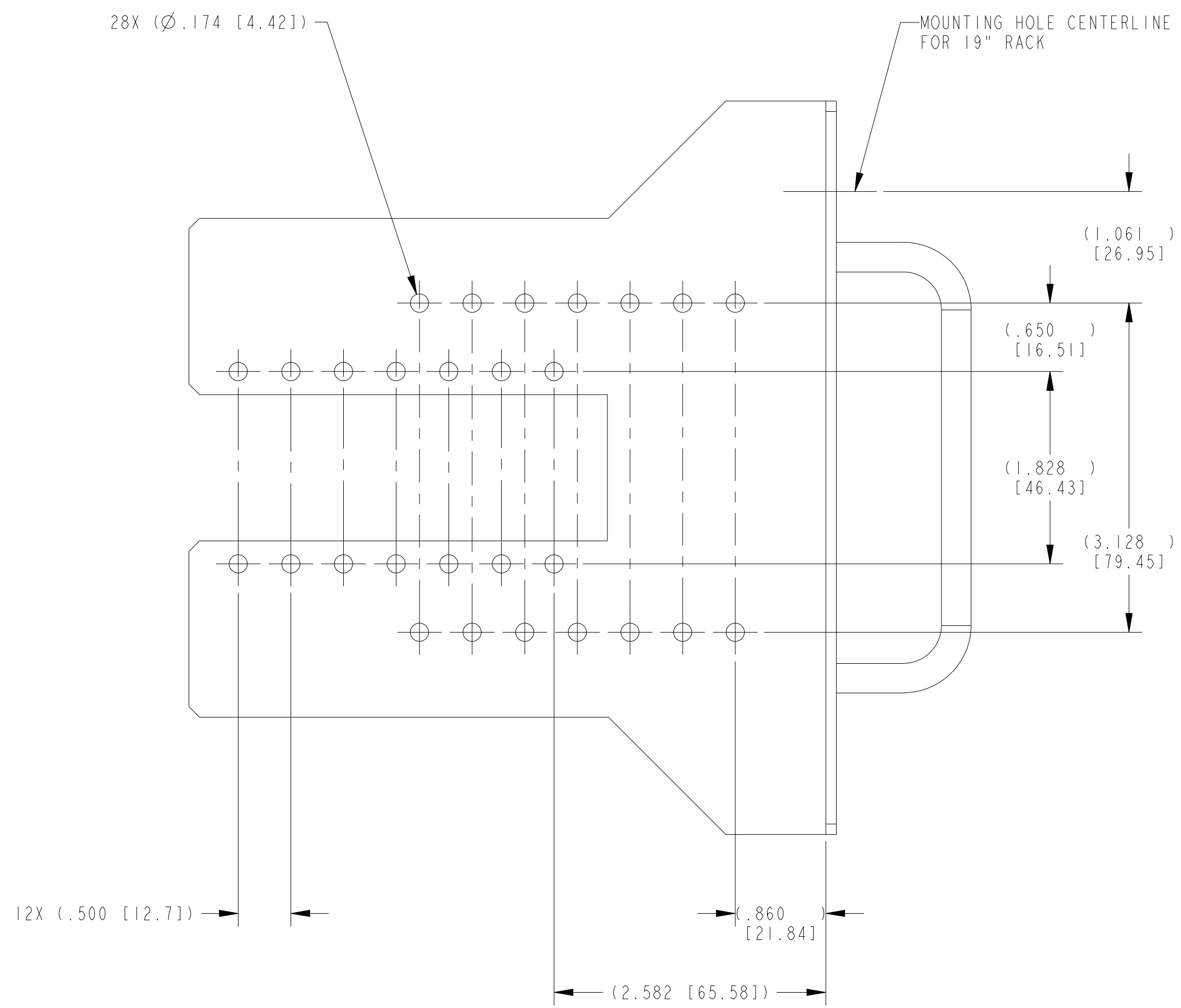
TITLE  
 CUSTOMER DRAWING,  
 RACK MOUNT,  
 9 SLOT PXI(e) CHASSIS

SIZE CODE IDENT NO | MM/DD/YYYY  
 D | 7U296 | 11/14/2011

SCALE: 1/1 SHEET 1 OF 2



FILLER PANEL  
 3



LEFT RACK MOUNT BRACKET

