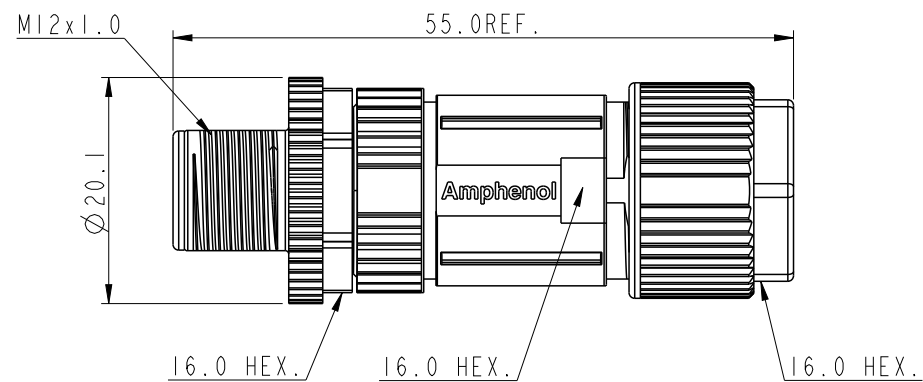
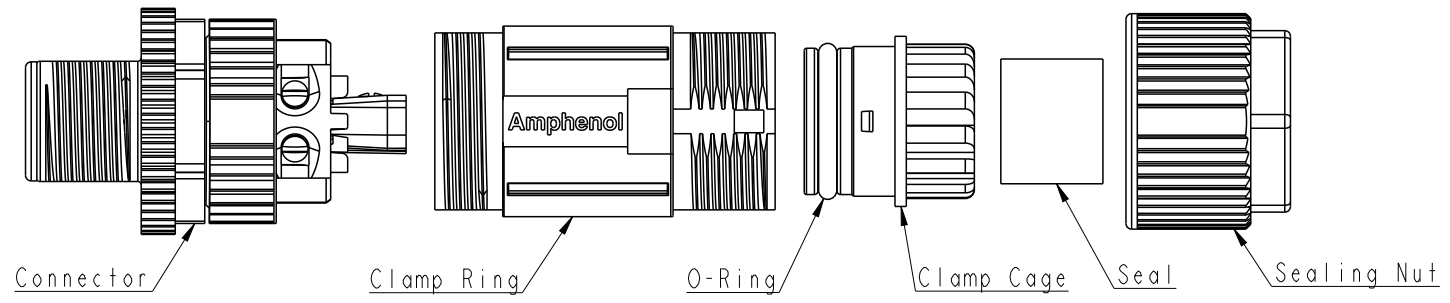


THIS DOCUMENT IS SUBJECT TO CHANGE WITHOUT NOTICE. IT IS CONFIDENTIAL AND A PROPERTY OF Amphenol LTW. DISCLOSURE TO THIRD PARTY HAS TO BE AUTHORIZED BY Amphenol LTW.

REV.	ECN NO.	DATE	SIGN	DESCRIPTION
A		2023-10-11	Sam Ho	Rev.02 to A, Initial Released
B	C231401	2023-11-17	Sam Ho	\triangle B XI

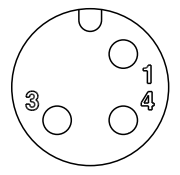
\triangle B HDM12A-XXBMMB-SL7001

XX: No. Of Pin

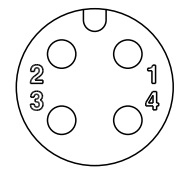


Note:

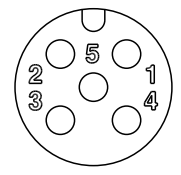
- * RoHS Compliant
- * \odot Important Dimension
- * Waterproof rate: IP67, mated
- * Connector
 - Housing: Thermoplastic, Black
 - Pin: Copper alloy, Gold plated
 - Extension Nut: Metal
 - Nut: Metal
 - O-Ring: Rubber, Gray
- * Clamp Ring: Metal
- * O-Ring: Rubber, Black
- * Clamp Cage: Thermoplastic, Black
- * Sealing Nut: Metal
- * Seal: Rubber, Gray, OD: ϕ 4.0mm~ ϕ 7.5mm
- * One set unassembled in one pe bag



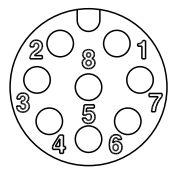
3P



4P



5P



8P

Pin Assignments Front View

UNIT: mm	\varnothing	∇
TOLERANCE		
.X	± 0.25	
.XX	± 0.1	
.XXX	± 0.05	
ANGLES	$\pm 1^\circ$	

TITLE N SEN, HDM12 A-240H, HT, SCREW CABLE W/O SR, M, M, FI SCREW IN			
SCALE 3:2	SIZE A4	SHEET 1 OF 1	
REV. B	WC-REV.	\odot : Inspection item	

Amphenol LTW
安費諾亮泰企業股份有限公司

ITEM NO.	DRAWN BY Sam Ho	DATE 2023-11-17
DWG NO. HDM12A-XXBMMB-SL7001	CHECKED BY Neo Tsai	DATE 2023-11-17
CUSTOMER ALTW	APPROVED BY Fred Lee	DATE 2023-11-17