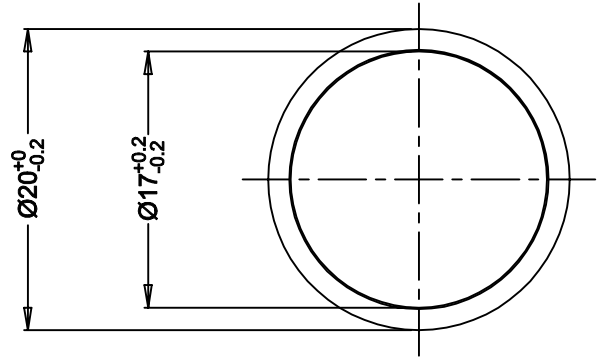
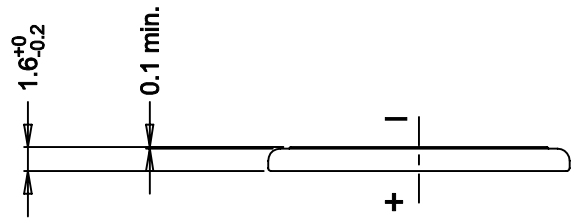
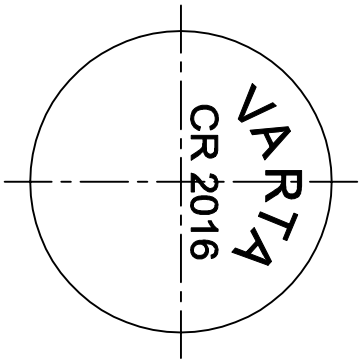


This is a controlled document.
 Hardcopy to be endorsed by authorized person.
 Check with Issuing Office or SAP system for latest update.



No.	Alterations:	Date:	Name:	Dimensions in mm	Material:
0	Refer to Ellwangen dwg. #026835	2002-04-30	Ratna	Tolerance: As specified	-
				Projection:	Description: CR2016 Cell with OEM packed
				Scale: 2 : 1	
				Loc. : 1 Date: Name:	
				Prepared: 2002-04-30 Ratna	
				Approved: 2002-	
RIGHTS RESERVED TO MAKE TECHNICAL CHANGES, AS A RESULT OF FURTHER DEVELOPMENT, WITHOUT NOTICE. THIS DRAWING IS THE PROPERTY OF VARTA BATTERIES PTE LTD AND MUST NOT BE COPIED OR DISCLOSED TO A THIRD PARTY WITHOUT THE WRITTEN CONSENT OF VARTA BATTERIES PTE LTD.					
Distribution: 0, 1.1, 2.1, 2.2, 2.3, 3.3.					
				VKB Order No: 06016 101 501	
				Released: 2002-05-01	