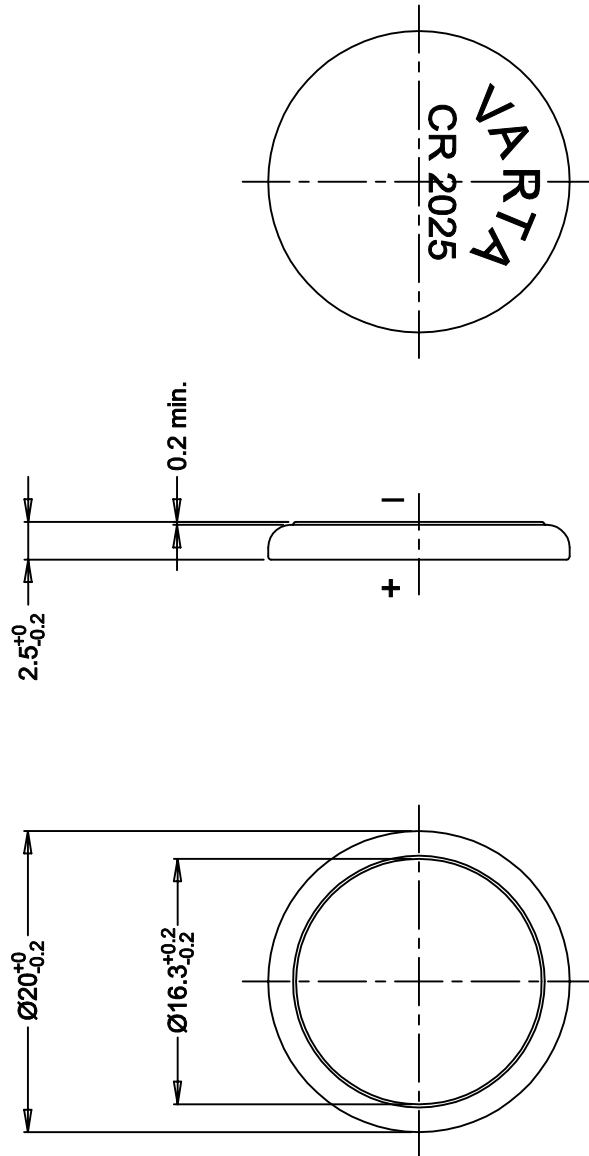


This is a controlled document.

Hardcopy to be endorsed by authorized person.

Check with Issuing Office or SAP system for latest update.



No.	Alterations:	Date:	Name:	Dimensions in mm	Material:
0	Refer to Ellwangen dwg. #026836	2002-04-29	Ratna	Tolerance: As specified	-
				Projection:	Description:  <b>CR2025 Cell</b> with OEM packed
				Scale: 2 : 1	
				Loc. : 1      Date:      Name:	
				Prepared: 2002-04-29      Ratna	
				Approved: 2002-	
RIGHTS RESERVED TO MAKE TECHNICAL CHANGES, AS A RESULT OF FURTHER DEVELOPMENT, WITHOUT NOTICE. THIS DRAWING IS THE PROPERTY OF VARTA BATTERIES PTE LTD AND MUST NOT BE COPIED OR DISCLOSED TO A THIRD PARTY WITHOUT THE WRITTEN CONSENT OF VARTA BATTERIES PTE LTD.					
Distribution: 0, 1.1, 2.1, 2.2, 2.3, 3.3.					
				VKB Order No: 06025 101 501	
				Released: 2002-05-01	