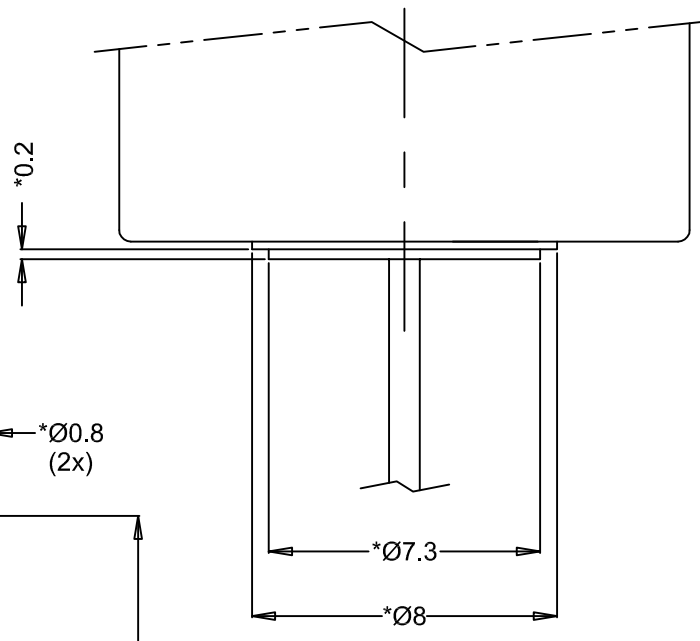
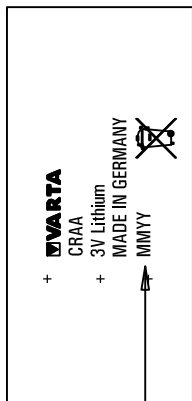


This is controlled document.  
 Hardcopy to be endorsed by authorized person.  
 Check with Issuing Officer or SAP system for latest update.

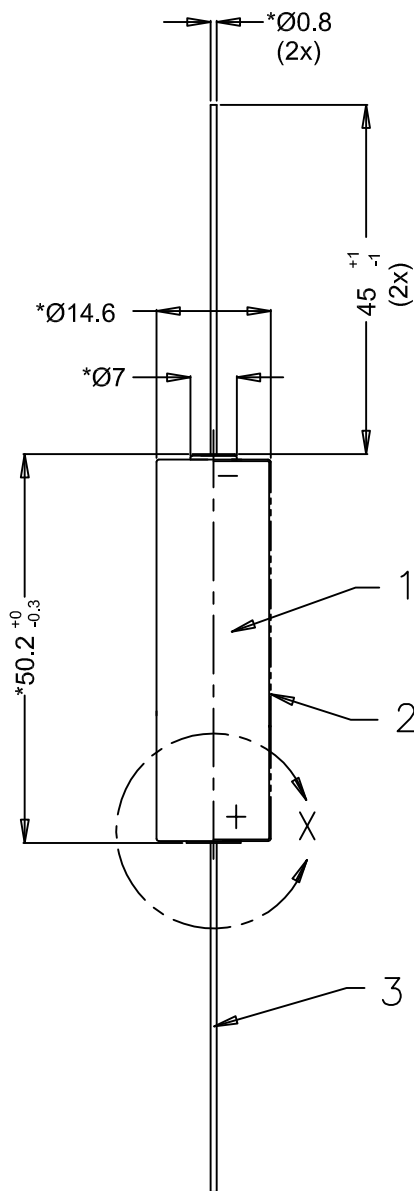


Detail X  
 Scale 5 : 1

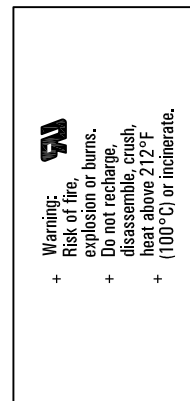
Front artwork



Monthly code



Rear artwork



Note: 1) \* Dimensions for reference only  
 2) Use UL approved green shrink sleeve

1	R123/08	To add in printed sleeve the crossed-out wheeled bin symbol	2008-04-29	Eka
0		Refer to # 001284	1999-09-06	Tatang
No	AO No	Revisions	Date	Name

Projection:		Material: Refer to part list no : 071783		Description: <b>CR AA CD battery</b> with shrink sleeve & solder tags	
Dimensions in mm		Prepared & Checked	Verified & Approved	Dwg. No: <b>071783</b>	401
Tolerance: As specified		1999-09-06	Tatang	VKB Order No: <b>06117 501 301</b>	
Scale: 1 : 1					

Rights reserved to make technical changes, as a result of further development, without notice. This drawing is the property of VARTA Microbattery and must not be copied or disclosed to a third party without the written consent of VARTA Microbattery.

