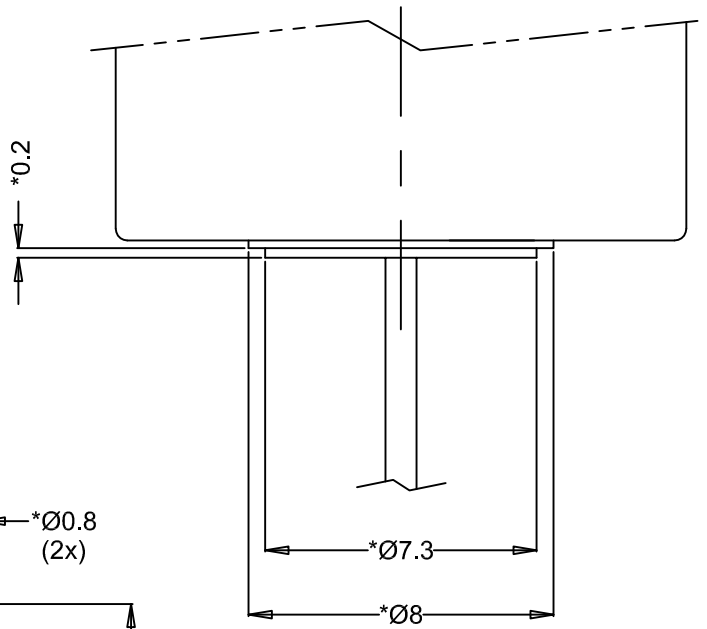
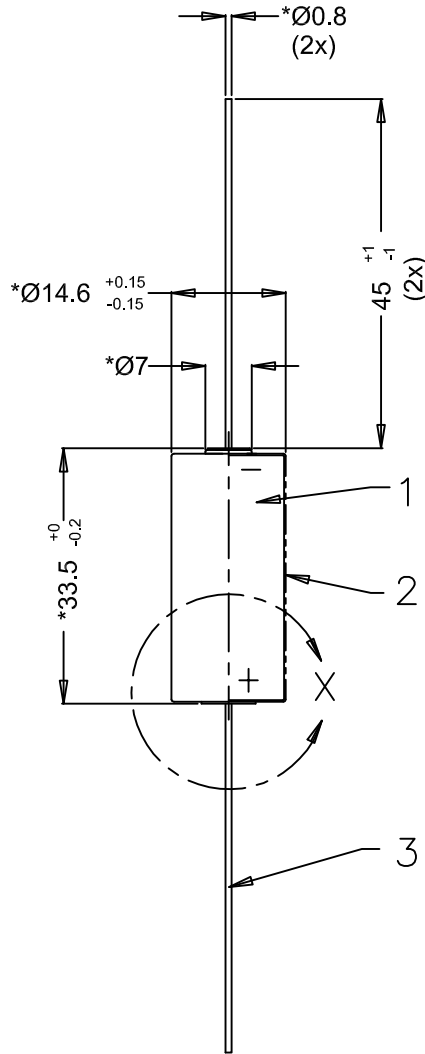


This is controlled document.
 Hardcopy to be endorsed by authorized person.
 Check with Issuing Officer or SAP system for latest update.



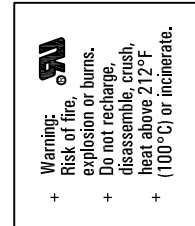
Detail X
Scale 5 : 1



Front artwork



Rear artwork



Note: 1) * Dimensions for reference only
 2) Use UL approved green shrink sleeve

No	AO No	Revisions	Date	Name
1	R112/08	To add in printed sleeve the crossed-out wheeled bin symbol	2008-04-21	Eka
0		Refer to # 001521	1999-09-06	Tatang

Projection:		Material: Refer to part list no : 071790		Description: CR 2/3 AA CD battery with shrink sleeve & solder tags		
Dimensions in mm		Prepared & Checked		Verified & Approved		Dwg. No: 071790
Tolerance: As specified		1999-09-06	Tatang			VKB Order No: 06237 501 301
Scale: 1 : 1						401

Rights reserved to make technical changes, as a result of further development, without notice. This drawing is the property of VARTA Microbattery and must not be copied or disclosed to a third party without the written consent of VARTA Microbattery.

