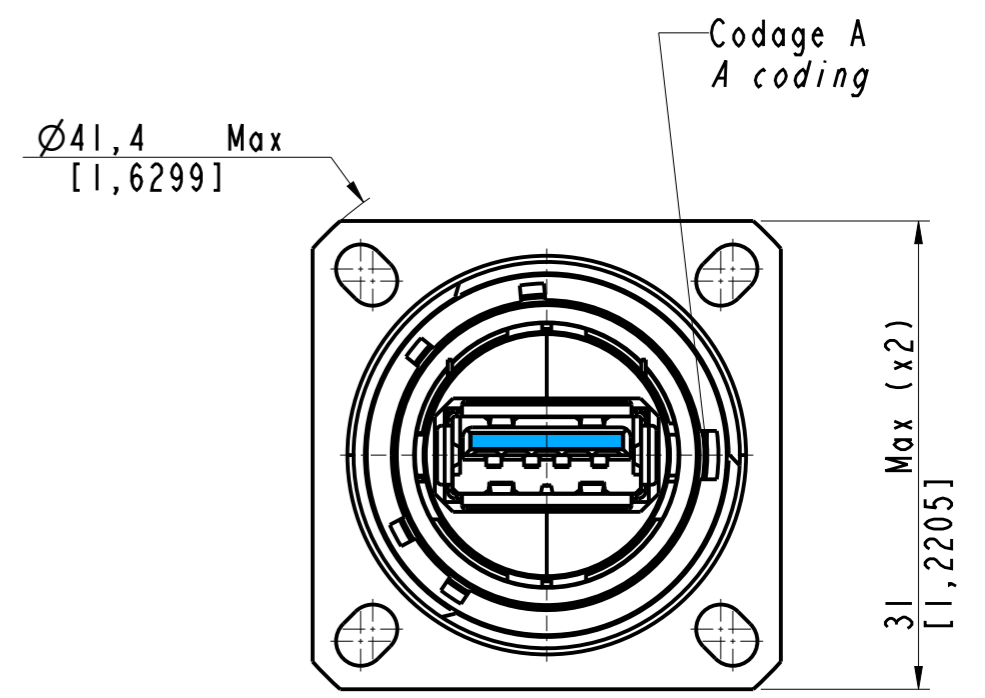
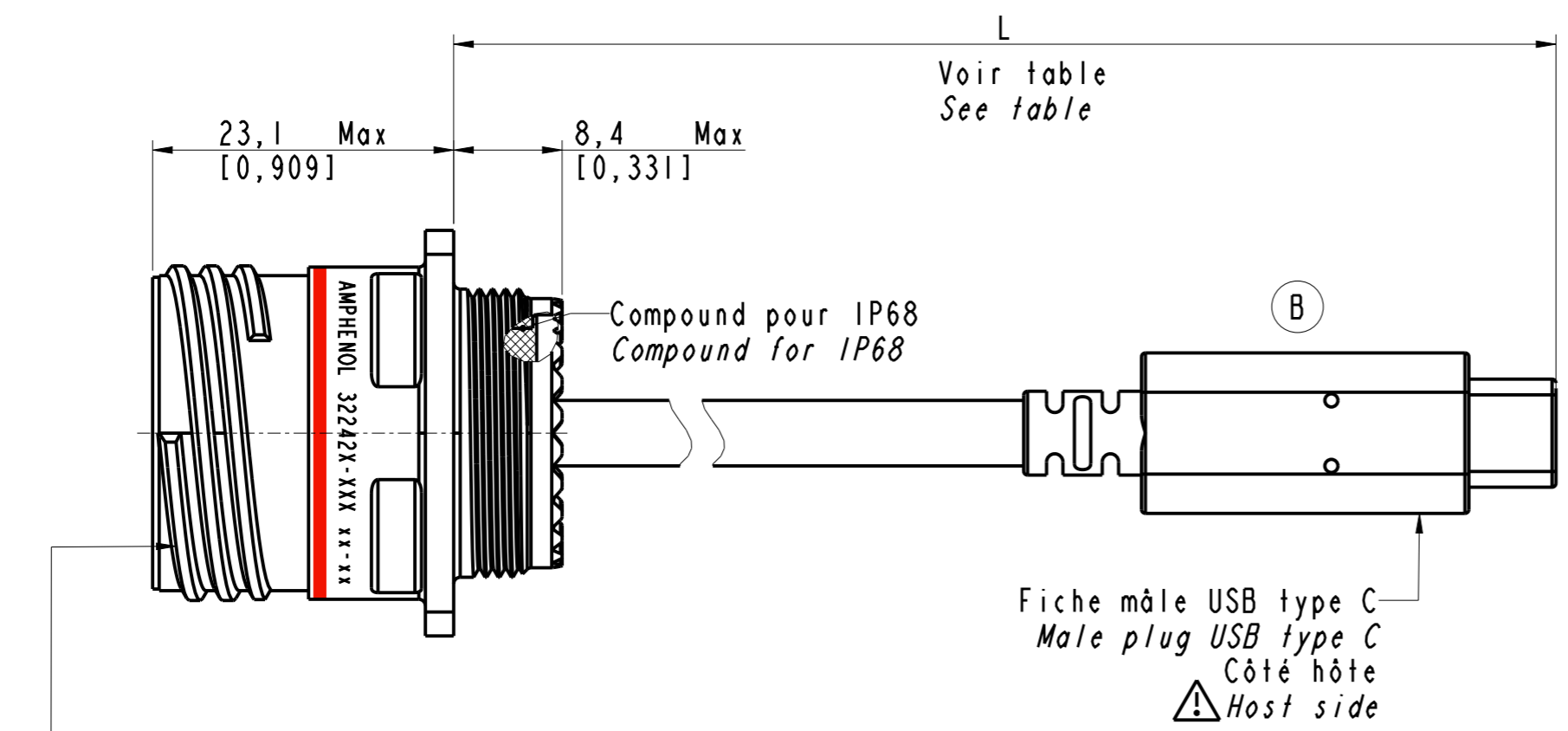


IN THE CONSTANT PURPOSE OF IMPROVING ITS PRODUCTS, Amphenol Socapex RESERVES THE RIGHT TO MODIFY ANY DIMENSION OR CHARACTERISTICS. FM.NPD.0076.THYEZ.PUNE rev B



⚠
Embase USB3A
USB3 A receptacle
Côté périphérique
Device side

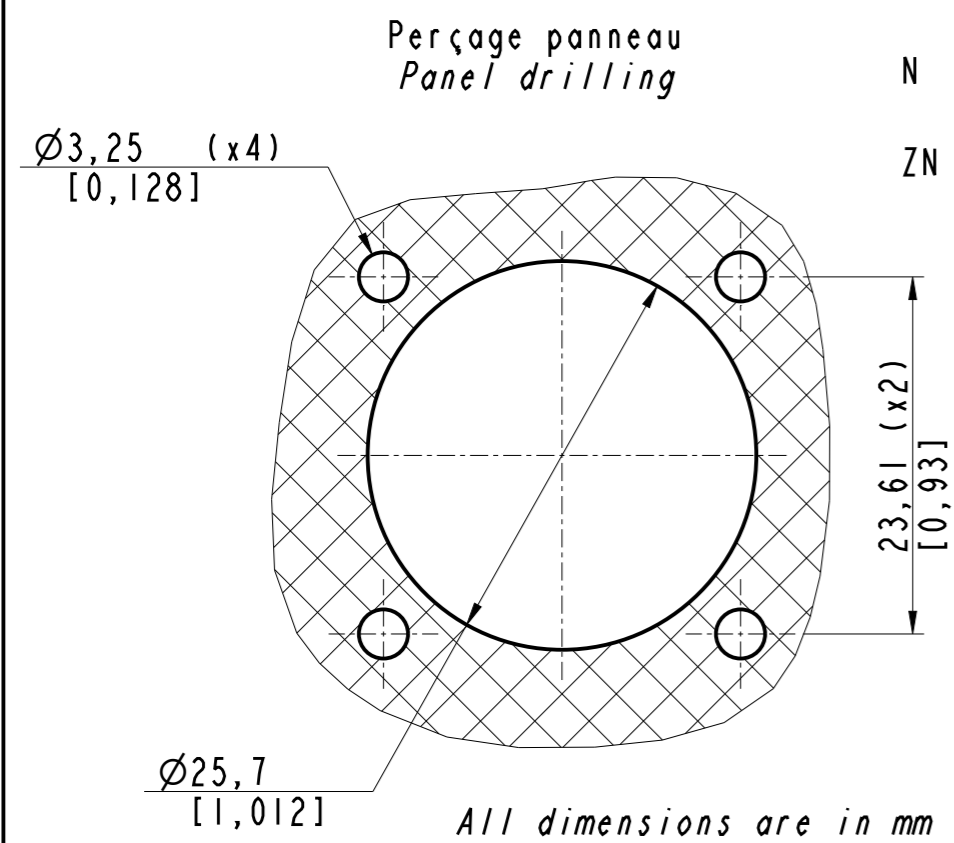
32242X-XXX

- G Protection cadmium vert olive (non RoHS)
Olive drab cadmium plating (not RoHS)
- N Protection nickel (RoHS)
Nickel plating (RoHS)
- ZN Protection zinc nickel noir (RoHS)
Black zinc nickel plating (RoHS)

Longueur
Voir tableau
Length
See table

Références References	Longueur Length
015	150 $+10_0$ [5,9 $+0,4_0$]
030	300 $+10_0$ [11,8 $+0,4_0$]
050	500 $+10_0$ [19,7 $+0,4_0$]
100	1000 $+20_0$ [39,4 $+0,8_0$]

Nota / Note :
Le contact 4 (GND), 7 (Drain) et shield sont reliés ensemble.
Contact 4 (GND), 7 (Drain) and shield are connected together.



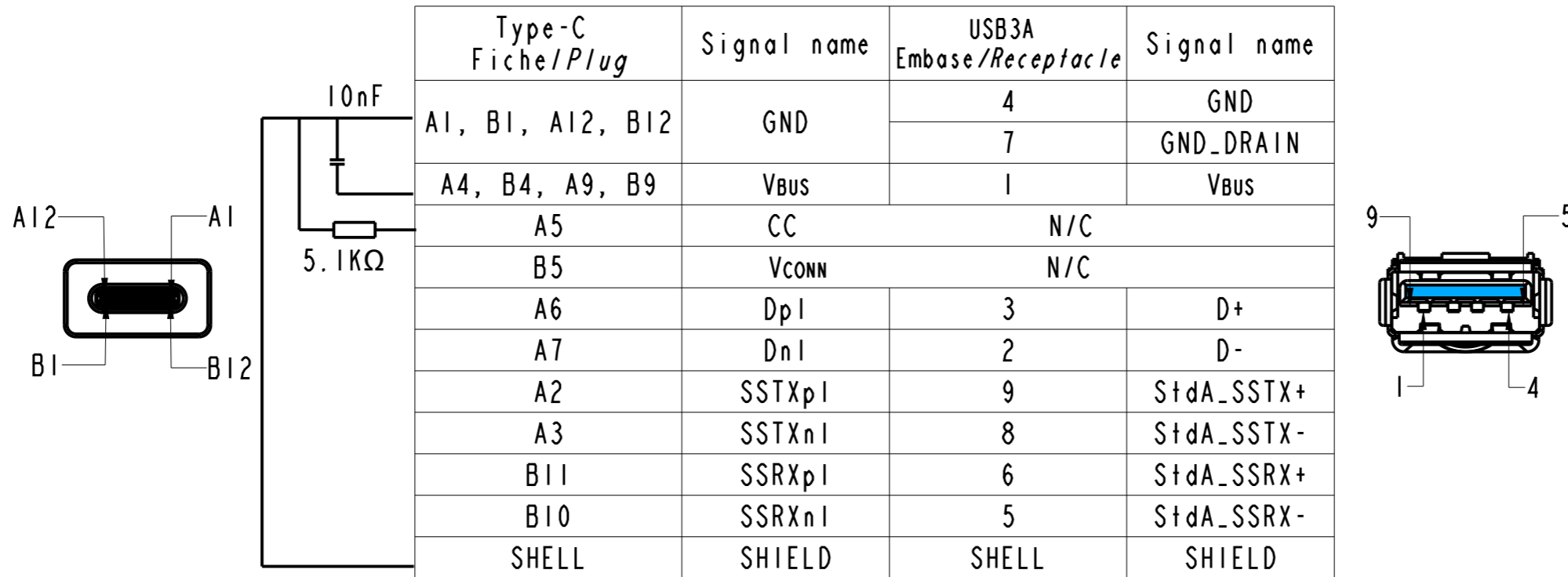
All dimensions are in mm / [inches]


APPROVAL FOR MANUFACTURING Add missing specifications on the drawing if necessary (specific labellings, tolerances,...)		DRAWN BY : S. FALCOZ	UPDATED BY: F.ROCH	LAST APPROVED BY: S.FALCOZ	
CUSTOMER :	Name : _____ Date : _____	ALL DIMENSIONS ARE IN MM		AMPHENOL SOCAPEX	
PROGRAM :					
CUSTOMER SIGNATURE		SCALE : 2,0	B.P. 29 74311 THYEZ CEDEX		ORIGINAL DRAWING DATE : 14/03/23
				REV : B	CONFIGURATION DATA ARE AVAILABLE IN PDM
				PAGE : 1/2	
				191-PLC-1218-00	

IN THE CONSTANT PURPOSE OF IMPROVING ITS PRODUCTS, Amphenol Socapex RESERVES THE RIGHT TO MODIFY ANY DIMENSION OR CHARACTERISTICS.
FM.NPD.0076.THYEZ.PUNE rev B

Assignement des contacts
Pin Assignment

⚠ Câblage droit / Straight cabling



APPROVAL FOR MANUFACTURING Add missing specifications on the drawing if necessary (specific labellings, tolerances,...)		DRAWN BY : S. FALCOZ	UPDATED BY: F.ROCH	LAST APPROVED BY: S.FALCOZ
CUSTOMER : PROGRAM : Name : _____ Date : _____	ALL DIMENSIONS ARE IN MM	AMPHENOL SOCAPEX		ORIGINAL DRAWING DATE : 14/03/23
CUSTOMER SIGNATURE _____	SCALE : 1,0 	B.P. 29 74311 THYEZ CEDEX		CONFIGURATION DATA ARE AVAILABLE IN PDM
				REV : B PAGE : 2/2 191-PLC-1218-00