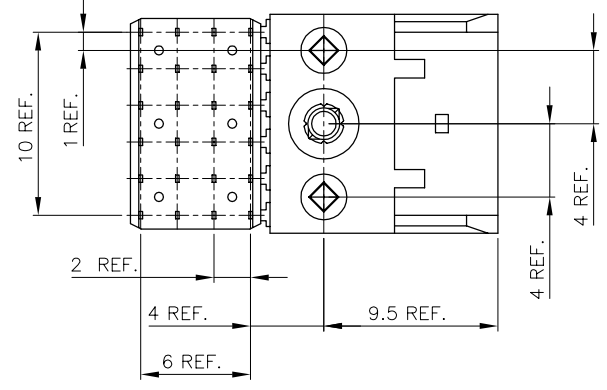
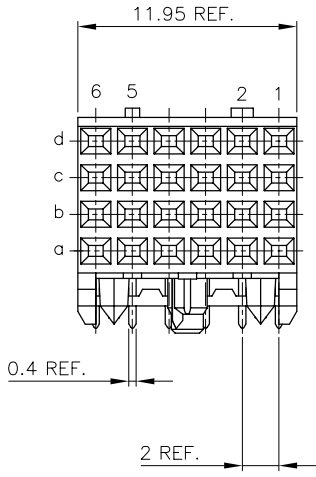
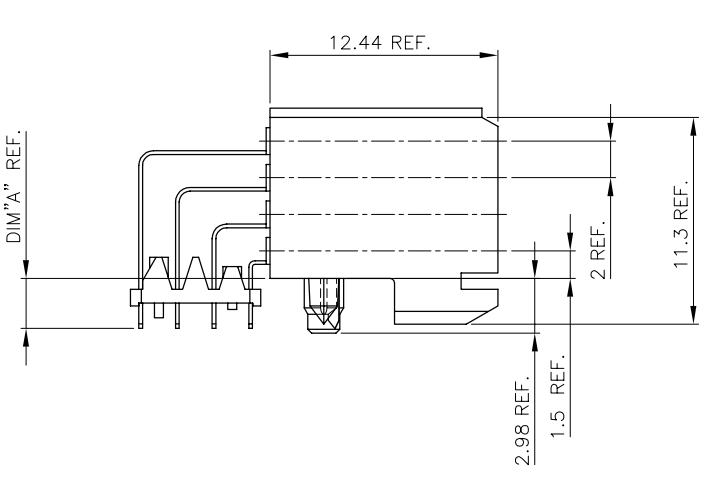
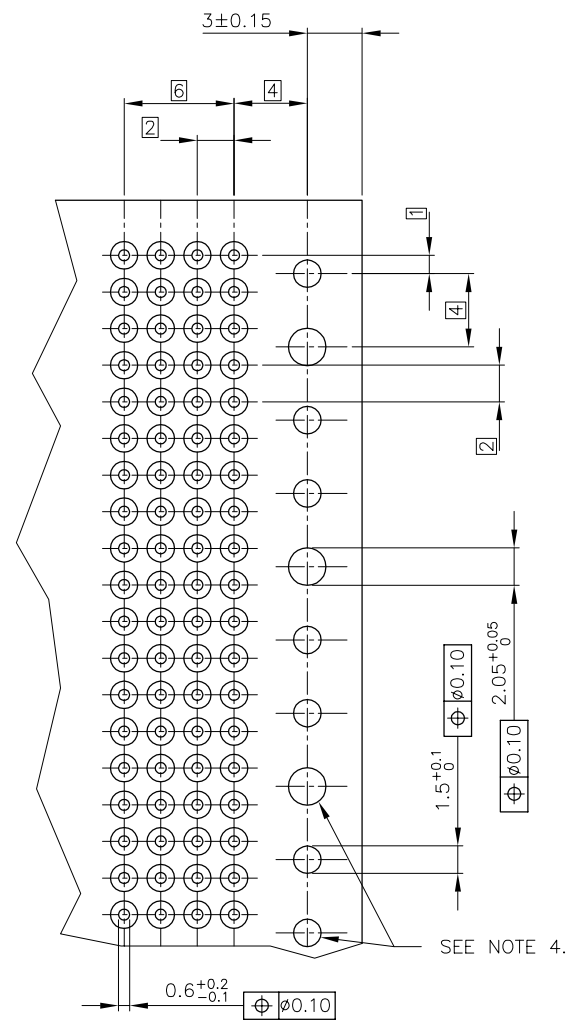
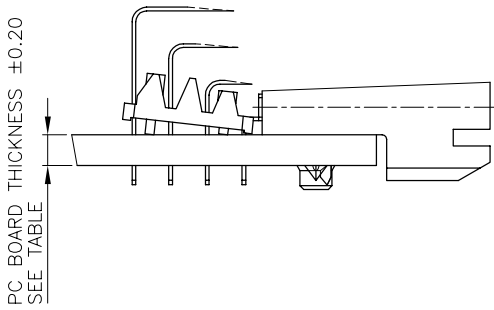


PC BOARD VERSIONS		
PRODUCTNR:	PCB THICKNESS	DIM"A"
89035-X01	1.6	2.73
89035-X11	2.4	3.53



PRODUCT AFTER PC BOARD APPLICATION.



RECOMMENDED HOLE PATTERN, COMPONENT SIDE.

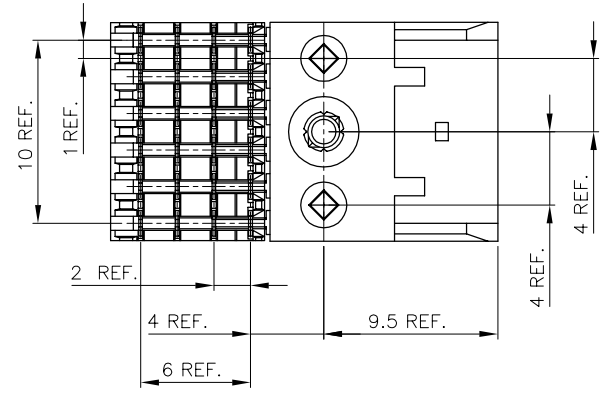
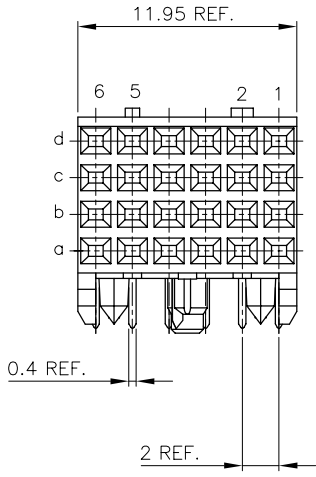
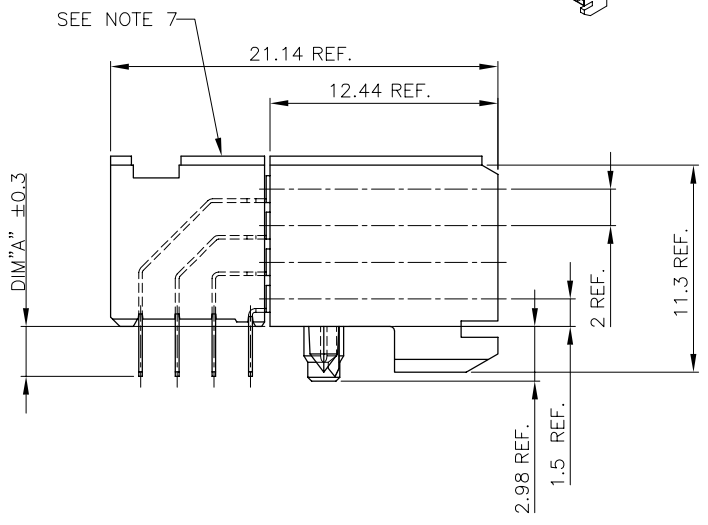
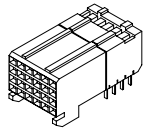
- NOTES:
- BODY MAT'L: LIQUID CRYSTAL POLYMER 30% GLASS FLAME RETARDANT ACC. UL 94-V0
  - TERMINAL MATERIAL: PHOSPHOR BRONZE.
  - PLATING SOLDER TAILS 2-8 µm SnPb 90-97.
  - INDICATED HOLES ARE UNPLATED.
  - PRODUCT MARKING: PARTNUMBER & BATCH ID.

PRODUCT NR:	PLATING CONTACT AREA:	UNDERPLATING
89035-1YZ	0.8 µm GOLD	1.3 µm Ni MIN.
89035-2YZ	2 µm GOLD	1.3 µm Ni MIN.
89035-3YZ	1.3 µm GOLD	1.3 µm Ni MIN.
89035-9YZ	0.8 µm GXT	1.3 µm Ni MIN.

mat'l. code		tolerances unless otherwise specified		CUSTOMER COPY		FCI ELECTRONICS	
ltr	ecr no	dr	date	linear	projection	title	www.fciconnect.com
A	H30108	HBO	930216			RA FEMALE SIGNAL	
B	H90759	EFE	940118			12 mm PRESS PEG	
C	H40118	EFE	940211	angles		product family	METRAL(tm)
D	H40355	DDb	940527	dr	H.Bouwknegt	921216	code
E	V70769	DDb	970602	engr	H. Bouwknegt	940311	213
F	V00578	LLA	000316	chr	P.Schalk	921222	sheet
G	V00847	LLA	000530	appd	J.Wintjes	921222	1 of 2
sheet	revision	G	C				
index	sheet	1	2				

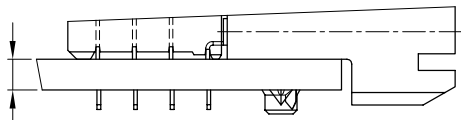
All rights strictly reserved. Reproduction or issue in any form, whatever is not permitted without authority from the proprietor. FCI B.V. © FCI B.V.

PC BOARD VERSIONS		
PRODUCTNR:	PCB THICKNESS	DIM"A"
89035-X02	1.6	2.73
89035-X12	2.4	3.53

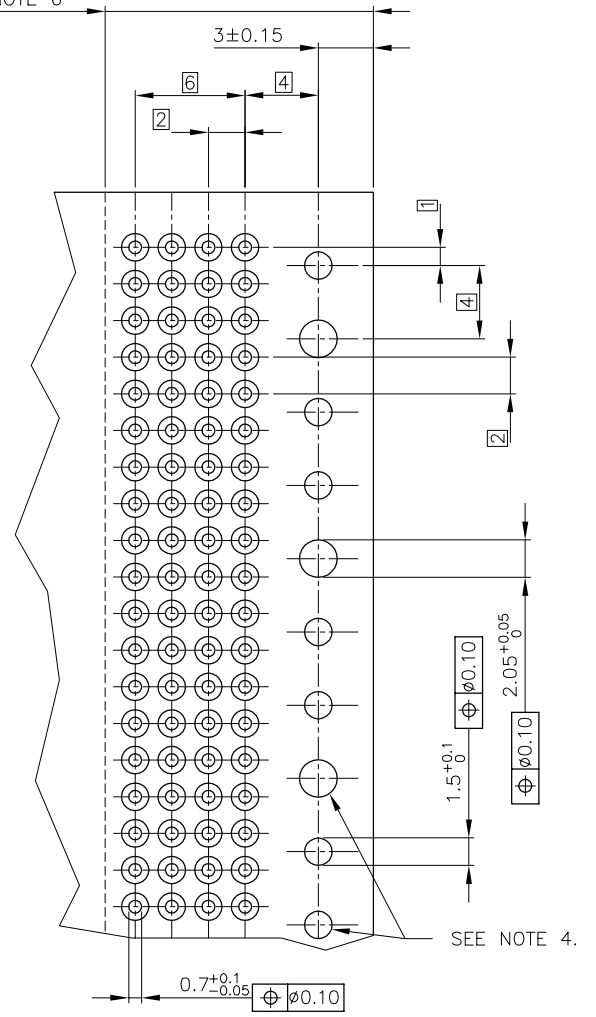


PRODUCT AFTER PC BOARD APPLICATION.

PC BOARD THICKNESS ±0.20  
SEE TABLE



14.64 REF. SEE NOTE 6



RECOMMENDED HOLE PATTERN,  
COMPONENT SIDE.

NOTES:

- 1 BODY MAT'L: LIQUID CRYSTAL POLYMER 30% GLASS FLAME RETARDANT ACC. UL 94-V0
- 2 TERMINAL MATERIAL: PHOSPHOR BRONZE.
- 3 PLATING SOLDER TAILS 2-8 μm SnPb 90-97.
- 4 INDICATED HOLES ARE UNPLATED.
- 5 PRODUCT MARKING: PARTNUMBER & BATCH ID.
- 6 SET BACK FOR PRESS BLOCK.
- 7 TOP SURFACE OF PRESS BLOCK MAY EXTEND UP TO 0.4MM HIGHER THAN HOUSING. THIS MAY AFFECT THE TAIL LENGTH BEFORE APPLICATION TO A BOARD

PRODUCT NR:	PLATING CONTACT AREA:	UNDERPLATING
89035-1YZ	0.8 μm GOLD	1.3 μm Ni MIN.
89035-2YZ	2 μm GOLD	1.3 μm Ni MIN.
89035-3YZ	1.3 μm GOLD	1.3 μm Ni MIN.
89035-9YZ	0.8 μm GXT	1.3 μm Ni MIN.

mat'l. code		tolerances unless otherwise specified		CUSTOMER COPY		FCI ELECTRONICS	
lfr	ecr no	dr	date	linear	projection	title	www.fciconnect.com
A	V70769	DDb	970529			RA FEMALE SIGNAL	
B	V00578	LLA	000316			12 mm PRESS PEG	
C	V00847	LLA	000530	angles			
		dr	D. de Bli	970529	mm	product family	METRAL(tm)
		engr	P. Schalk	970529	scale	A2	code
		chr	P. Schalk	970529	5:1	89035	213
		appd	H. Cooijmans	970529			sheet
sheet index	revision sheet						2 of 2