

NOTES:

1. PACKAGED IN BAG.
2. USE AMPHENOL CRIMP TOOL #CTL-2.
3. CAPTIVATED CONTACT, .043 WIRE ENTRY.
4. 3 PC. (BODY, FERRULE, CONTACT).
5. MATERIALS OF CONSTRUCTION:

FERRULE(S):
COPPER ALLOY
NICKEL PLATED

CONTACT PIN:
BRASS
GOLD PLATED

RETAINER RING,
BODY, WASHER:
BRASS
NICKEL PLATED

INSULATOR:
DELTRIN
NATURAL

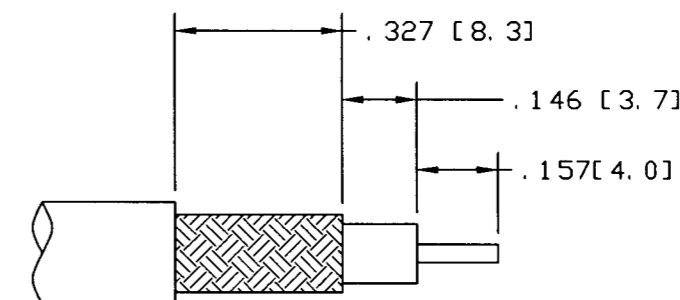
GASKET:
RUBBER
RED

SHELL:
ZINC DIECAST
NICKEL PLATED

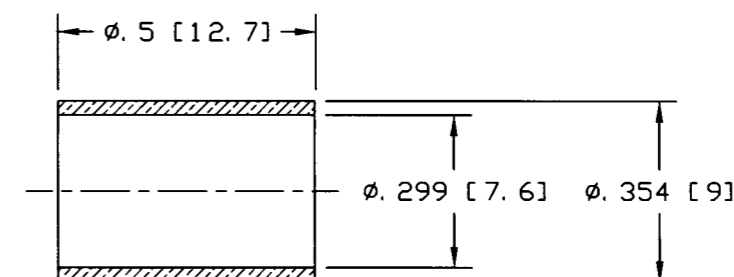
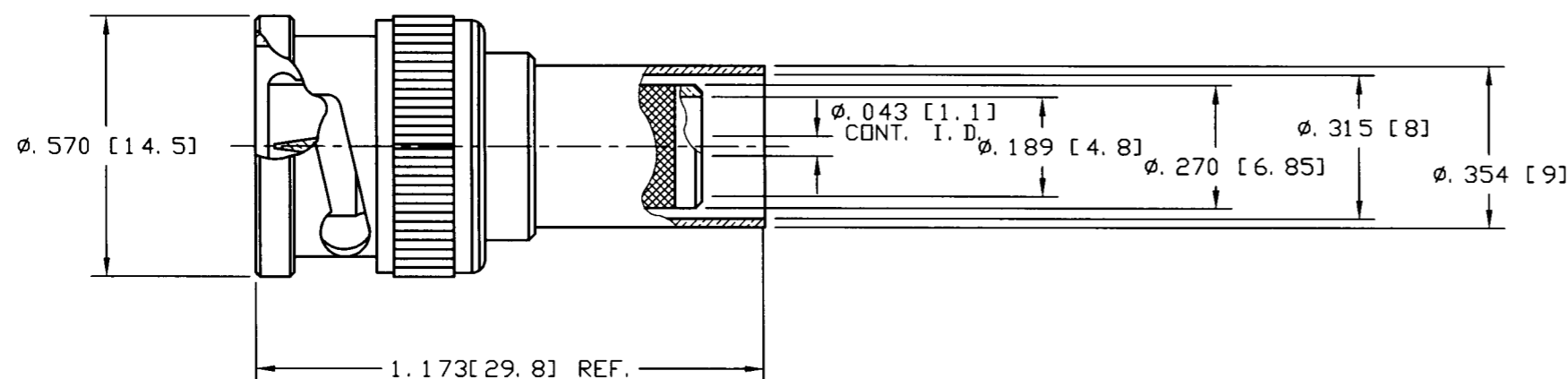
SPRING:
COPPER ALLOY
NICKEL PLATED

6. DO NOT SCALE THIS DRAWING.

31-71000-RFX		REVISIONS			
DRAWING NO.	REV	DESCRIPTION	DATE	ECO	APPR
THIRD ANGLE PROJ.	A	RELEASE TO MFG.			
	C	REDRAWN, WAS 'C' SIZE; UPDATED DRAWING.		42543	TV/
	D	SEE SHEET 1	11/11/98	42712	CPM/
	E	SEE SHEET 1	12/17/98	42779	CPM/



RECOMMENDED CABLE STRIPPING DIM'S



CUSTOMER OUTLINE DRAWING

ENGLISH (METRIC)

UNLESS OTHERWISE SPECIFIED, DIMENSIONS ARE IN INCHES AND TOLERANCES ARE: 2 PLACE DECIMAL ±.015 (0,381 mm) 3 PLACE DECIMAL ±.005 (0,127 mm) ANGLES ± 1°	MATERIAL	DRAWN T. VERHOEVEN	DATE 6/17/98	TITLE BNC CRIMP CRIMP PLUG FOR BELDEN 9248, RG6 CABLE, 75 OHM		Amphenol Amphenol Corporation RF/Microwave Operations Danbury, Conn. U.S.A. 06810 SCALE: 2:1 SHEET 2 OF 2	
	REFERENCE EAR 962370 EAR 967010-0 EAR 967127-0	ENGINEER T. AUBIN	DATE				APPROVED T. AUBIN
NOTICE - These drawings, specifications, or other data (1) are, and remain the property of Amphenol Corp. (2) must be returned upon request; and (3) are confidential and not to be disclosed to any person other than those to whom they are given by Amphenol Corp. The furnishing of these drawings, specifications, or other data by Amphenol Corp., or to any other person to anyone for any purpose is not to be regarded by implication or otherwise in any manner licensing, granting rights or permitting such holder or any other person to manufacture, use or sell any product, process or design, patented or otherwise, that may in any way be related to or disclosed by said drawings, specifications, or other data.		CAD FILE H:\DEPT611\BNC\031\ASSY\71000\RFXSH2		CODE ID 74868	DWG SIZE B	DRAWING NO. 31-71000-RFX	ISSUE E