

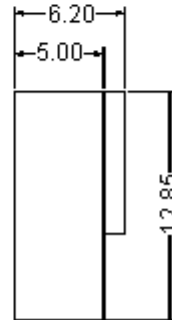
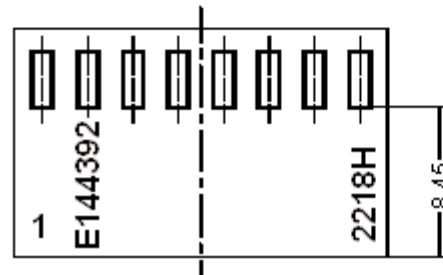
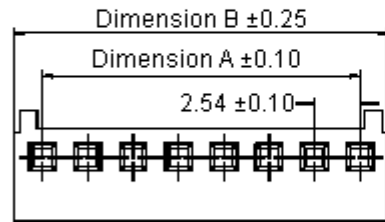
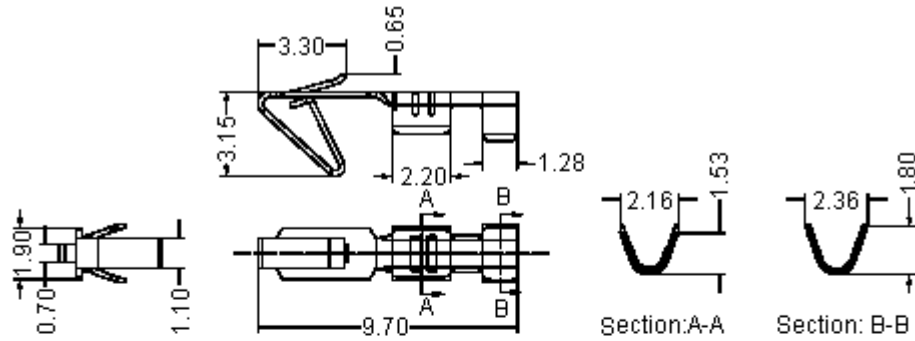


PART NO.

2218H-Series

REVISIONS

ECN #	REV	DESCRIPTION	DRAWN	DATE	CHECKD	DATE	APPRVD	DATE
-	A	RELEASED	Naveen	08/8/09	Jagan	08/8/09	G. C	27/8/09



Dimensions: Millimetres

This data sheet and its contents (the "Information") belong to the Premier Farnell Group (the "Group") or are licensed to it. No licence is granted for the use of it other than for information purposes in connection with the products to which it relates. No licence of any intellectual property rights is granted. The Information is subject to change without notice and replaces all data sheets previously supplied. The Information supplied is believed to be accurate but the Group assumes no responsibility for its accuracy or completeness, any error in or omission from it or for any use made of it. Users of this data sheet should check for themselves the Information and the suitability of the products for their purpose and not make any assumptions based on information included or omitted. Liability for loss or damage resulting from any reliance on the Information or use of it (including liability resulting from negligence or where the Group was aware of the possibility of such loss or damage arising) is excluded. This will not operate to limit or restrict the Group's liability for death or personal injury resulting from its negligence. SPC MULTICOMP is the registered trademark of the Group. © Premier Farnell plc 2008.

**TOLERANCES:**  
**UNLESS OTHERWISE SPECIFIED, DIMENSIONS ARE FOR REFERENCE PURPOSES ONLY.**

<b>DRAWN BY:</b>	<b>DATE:</b>
Naveen	08/08/09
<b>CHECKED BY:</b>	<b>DATE:</b>
Jagan	08/08/09
<b>APPROVED BY:</b>	<b>DATE:</b>
G.Cook	27/08/09

**DRAWING TITLE:**

2.54mm Crimp Housing

<b>SIZE</b> A	<b>DWG NO.</b> M10002293	<b>ELECTRONIC FILE</b> 1675754-1675763_DWG	<b>REV</b> A
<b>SCALE: NTS</b>		<b>U.O.M.: mm</b>	<b>SHEET: 1 OF 3</b>



PART NO.

2218H-Series

REVISIONS

ECN #	REV	DESCRIPTION	DRAWN	DATE	CHECKD	DATE	APPRVD	DATE
-	A	RELEASED	Naveen	08/8/09	Jagan	08/8/09	G. C	27/8/09

**Specifications:**

Current rating : 3.0A ac, dc.  
 Voltage rating : 250V ac, dc.  
 Maximum contact resistance : 20mΩ.  
 Minimum insulation resistance : 1000MΩ.  
 Withstanding voltage : 1000V ac/minute.  
 Operating temperature range : -40°C to +105°C.

**Material and finish:**

Insulator : Nylon 66.  
 Insulator colour : Dark white.  
 Contact : Brass.  
 Plating : Tin plated.

**Specification Table**

Description	Circuits	Dimension		Part Number
		A	B	
Crimp Housing, 2.54mm, 2way	02	2.54	5.60	2218H-02-WH2
Crimp Housing, 2.54mm, 3way	03	5.08	8.10	2218H-03-WH2
Crimp Housing, 2.54mm, 4way	04	7.62	10.70	2218H-04-WH2
Crimp Housing, 2.54mm, 5way	05	10.16	13.20	2218H-05-WH2
Crimp Housing, 2.54mm, 6way	06	12.70	15.80	2218H-06-WH2
Crimp Housing, 2.54mm, 8way	08	17.78	20.90	2218H-08-WH2
Crimp Housing, 2.54mm, 10way	10	22.86	25.90	2218H-10-WH2
Crimp Housing, 2.54mm, 12way	12	27.94	31.00	2218H-12-WH2

Dimensions: Millimetres

This data sheet and its contents (the "Information") belong to the Premier Farnell Group (the "Group") or are licensed to it. No licence is granted for the use of it other than for information purposes in connection with the products to which it relates. No licence of any intellectual property rights is granted. The Information is subject to change without notice and replaces all data sheets previously supplied. The Information supplied is believed to be accurate but the Group assumes no responsibility for its accuracy or completeness, any error in or omission from it or for any use made of it. Users of this data sheet should check for themselves the Information and the suitability of the products for their purpose and not make any assumptions based on information included or omitted. Liability for loss or damage resulting from any reliance on the Information or use of it (including liability resulting from negligence or where the Group was aware of the possibility of such loss or damage arising) is excluded. This will not operate to limit or restrict the Group's liability for death or personal injury resulting from its negligence. SPC MULTICOMP is the registered trademark of the Group. © Premier Farnell plc 2008.

**TOLERANCES:**  
  
**UNLESS OTHERWISE SPECIFIED, DIMENSIONS ARE FOR REFERENCE PURPOSES ONLY.**

<b>DRAWN BY:</b>	<b>DATE:</b>
Naveen	08/08/09
<b>CHECKED BY:</b>	<b>DATE:</b>
Jagan	08/08/09
<b>APPROVED BY:</b>	<b>DATE:</b>
G.Cook	27/08/09

<b>DRAWING TITLE:</b>			
<b>2.54mm Crimp Housing</b>			
<b>SIZE</b>	<b>DWG NO.</b>	<b>ELECTRONIC FILE</b>	<b>REV</b>
<b>A</b>	<b>M10002293</b>	1675754-1675763_DWG	<b>A</b>
<b>SCALE: NTS</b>		<b>U.O.M.: mm</b>	<b>SHEET: 2 OF 3</b>



PART NO.

2218H-Series

REVISIONS

ECN #	REV	DESCRIPTION	DRAWN	DATE	CHECKD	DATE	APPRVD	DATE
-	A	RELEASED	Naveen	08/8/09	Jagan	08/8/09	G. C	27/8/09

Part Number Explanation:

