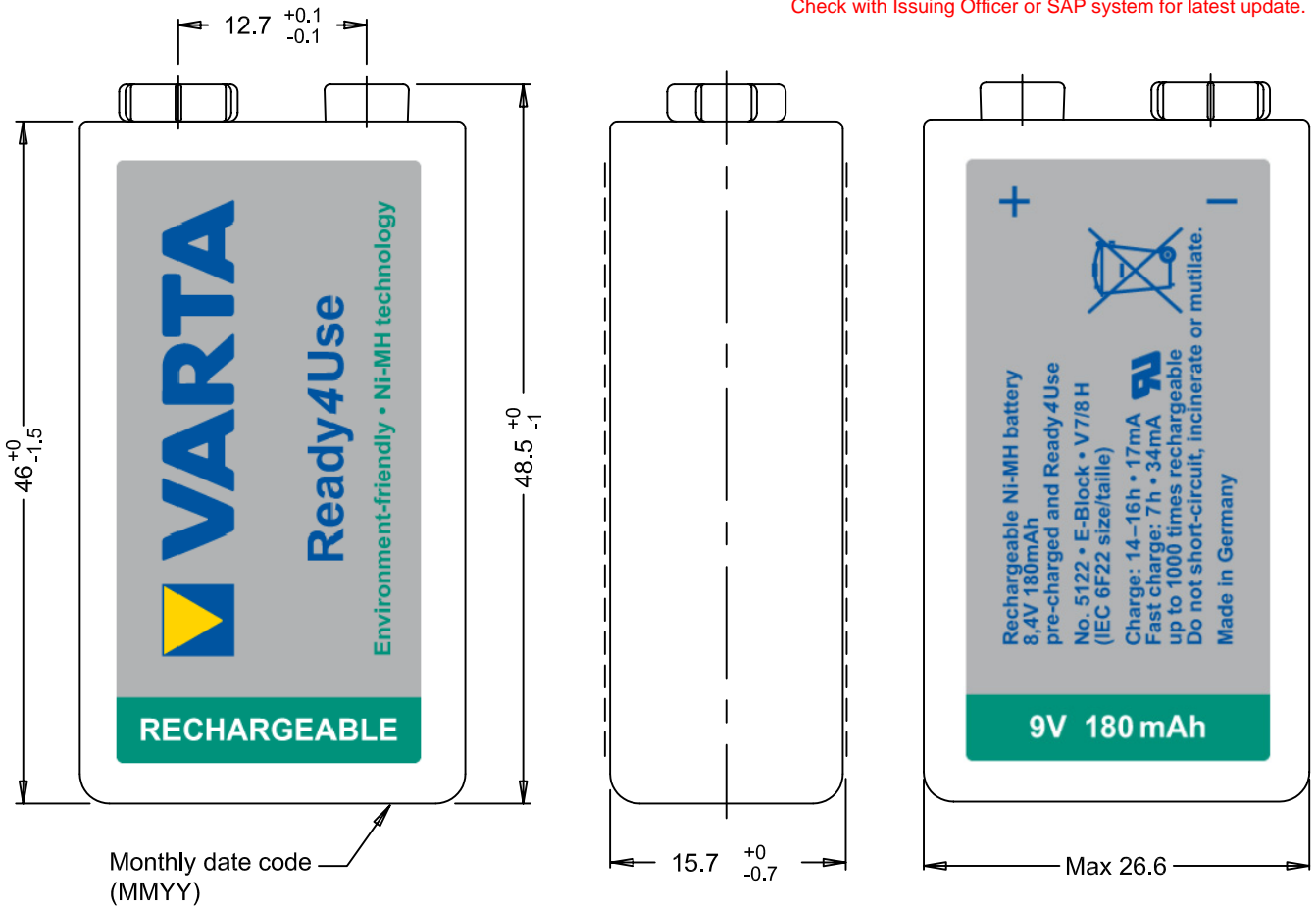
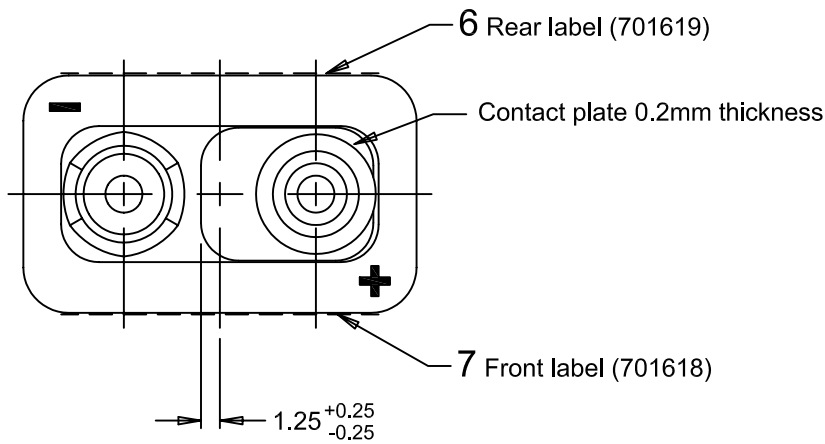


This is controlled document.
 Hardcopy to be endorsed by authorized person.
 Check with Issuing Officer or SAP system for latest update.



Monthly date code (MMYY)



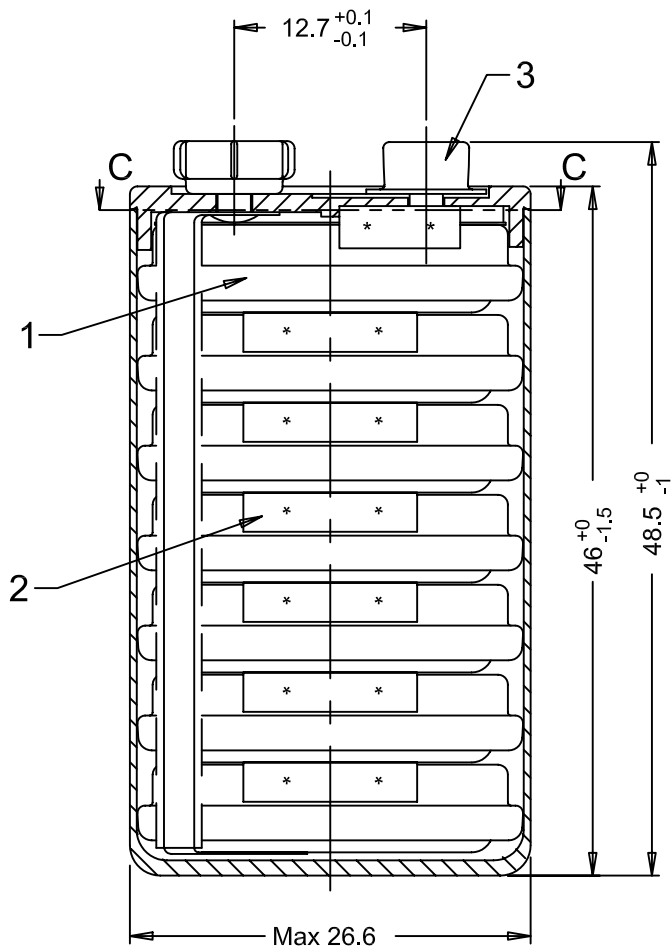
Approx. wt: 47 g

0	030/08	Refer to e-mail from Erhart Martin, dated: 2008-08-13.	2008-09-10	Ida	
No	AO No	Revisions	1	Date Name	
Projection:		Material: Refer to part list no: 701313	Description: V7/8H BC (180mAh) with ball & crown contact, black casing and label		
Dimensions in mm	Prepared & Checked	Verified & Approved	Dwg. No:	701313 (Sheet 1 of 2)	4 0 0
Tolerance: As specified	2008-09-10	Ida	VKB Order No:	05122 101 501	
Scale: 2 : 1					

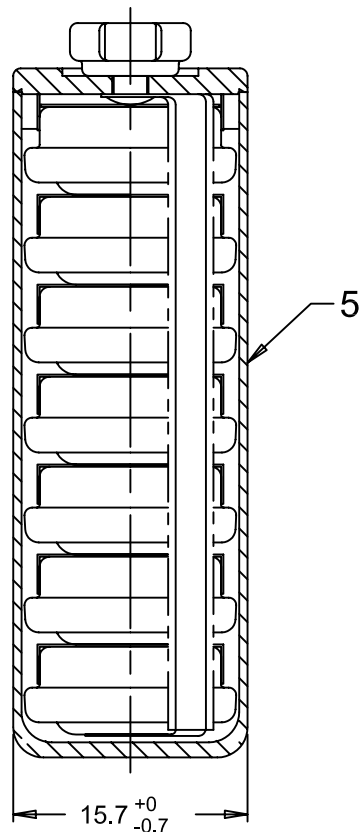
Rights reserved to make technical changes, as a result of further development, without notice. This drawing is the property of VARTA Microbattery and must not be copied or disclosed to a third party without the written consent of VARTA Microbattery.



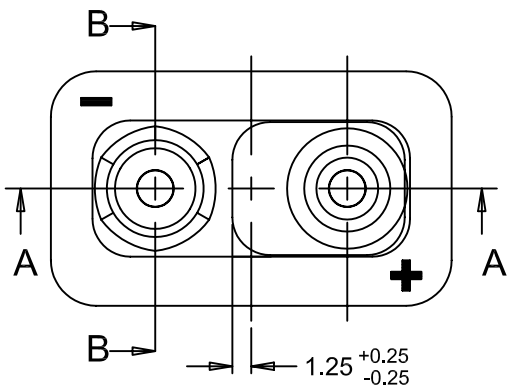
This is controlled document.
 Hardcopy to be endorsed by authorized person.
 Check with Issuing Officer or SAP system for latest update.



Section AA



Section BB



Section CC

Approx. wt: 47 g

0	030/08	Refer to e-mail from Erhart Martin, dated: 2008-08-13.	2008-09-10	Ida
No	AO No	Revisions	1	Date Name

Projection:	Material: Refer to part list no: 701313		Description: V7/8H BC (180mAh) with ball & crown contact, black casing and label		
	Dimensions in mm Tolerance: As specified Scale: 2 : 1	Prepared & Checked 2008-09-10 Ida	Verified & Approved	Dwg. No: 701313 (Sheet 2 of 2)	4
			VKB Order No: 05122 101 501		

Rights reserved to make technical changes, as a result of further development, without notice. This drawing is the property of VARTA Microbattery and must not be copied or disclosed to a third party without the written consent of VARTA Microbattery.

