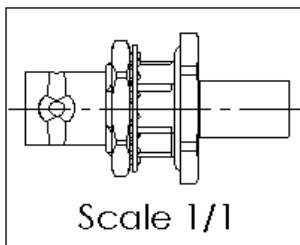
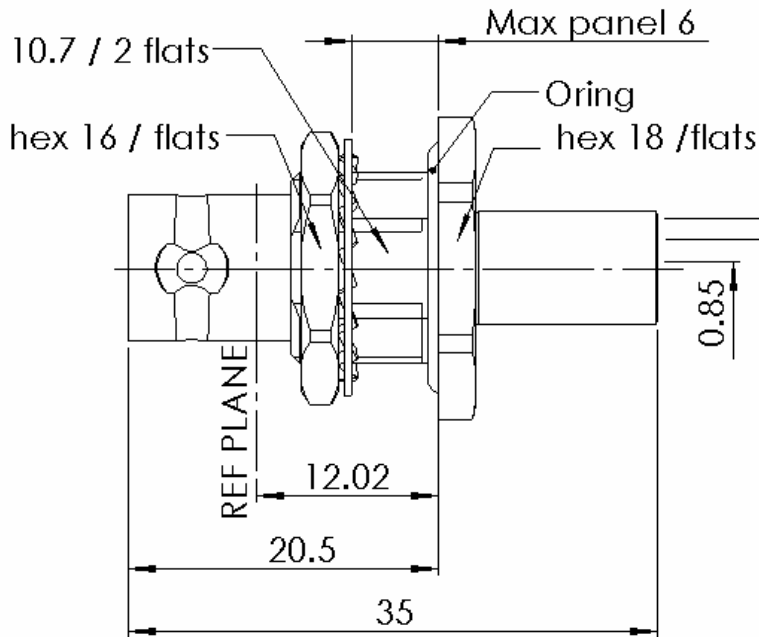


STRAIGHT BULKHEAD JACK PANEL SEAL

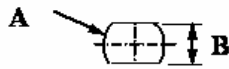
R142.334.700

CRIMP TYPE CABLE 0.8/3.7

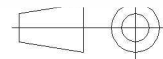
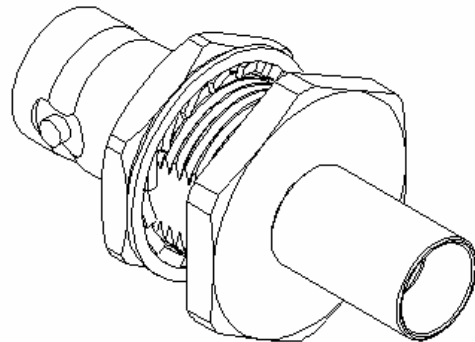
Series : BNC 75 HDTV



PANEL CUT OUT



mm		
	Maxi	mini
A	12.8	12.7
B	10.9	10.8



All dimensions are in mm.

COMPONENTS	MATERIALS	PLATING (μm)
BODY	BRASS	BBR2
CENTER CONTACT	BERYLLIUM COPPER	NPGR
OUTER CONTACT		-
INSULATOR	PTFE	-
GASKET	SILICONE RUBBER	-
OTHERS PARTS	BRASS	BBR2
-	-	-
-	-	-

Issue : 0844 B

In the effort to improve our products, we reserve the right to make changes judged to be necessary.



STRAIGHT BULKHEAD JACK PANEL SEAL

R142.334.700

CRIMP TYPE CABLE 0.8/3.7

Series : **BNC 75 HDTV**

PACKAGING

Standard	Unit	Other
100	'W' option	Contact us

SPECIFICATION

ELECTRICAL CHARACTERISTICS

Impedance		75 Ω
Frequency		0-6 GHz
VSWR	1.05 + 0.0350	x F(GHz) Maxi
Insertion loss		0.1 √F(GHz) dB Maxi
RF leakage	- (55* - F(GHz)) dB Maxi
Voltage rating		500 Veff Maxi
Dielectric withstanding voltage		1500 Veff mini
Insulation resistance		5000 MΩ mini

CABLE ASSEMBLY

Stripping	a	b	c	d	e	f
mm	3.30	10.3	16.8	0.00	13.5	0.00

Assembly instruction : **Crimp 01**

Recommended cable(s)
 DRAKA 0.8/3.7
 BELDEN 1505A
 CAE HD 08370

Characteristics indicated on this data sheet are those that can be achieved with the highest performance cable. Intrinsic limitations of the cable may diminish the performance of the assembly

Cable retention

- pull off **136** N mini
 - torque **NA** N.cm

MECHANICAL CHARACTERISTICS

Center contact retention		
Axial force – Mating end	10	N mini
Axial force – Opposite end	10	N mini
Torque	NA	N.cm mini

TOOLING

Part Number	Description	Hexagon
.	.	.
R282.235.013	CRIMPING DIES	6.48
R282.249.000		6.48
R282.293.000	CRIMPING TOOL M22520/5-01	
R282.223.000	CRIMPING TOOL	

Recommended torque		
Mating	NA	N.cm
Panel nut	370	N.cm
Clamp nut	NA	N.cm
A/F clamp nut	0.0000	mm

Mating life	1000	Cycles mini
Weight	18.1600	g

OTHER CHARACTERISTICS

* From 2 to 3GHz

ENVIRONMENTAL

Operating temperature	-65/+165	° C
Hermetic seal	NA	Atm.cm3/s
Panel leakage	NA	

Issue : **0844 B**

In the effort to improve our products, we reserve the right to make changes judged to be necessary.

