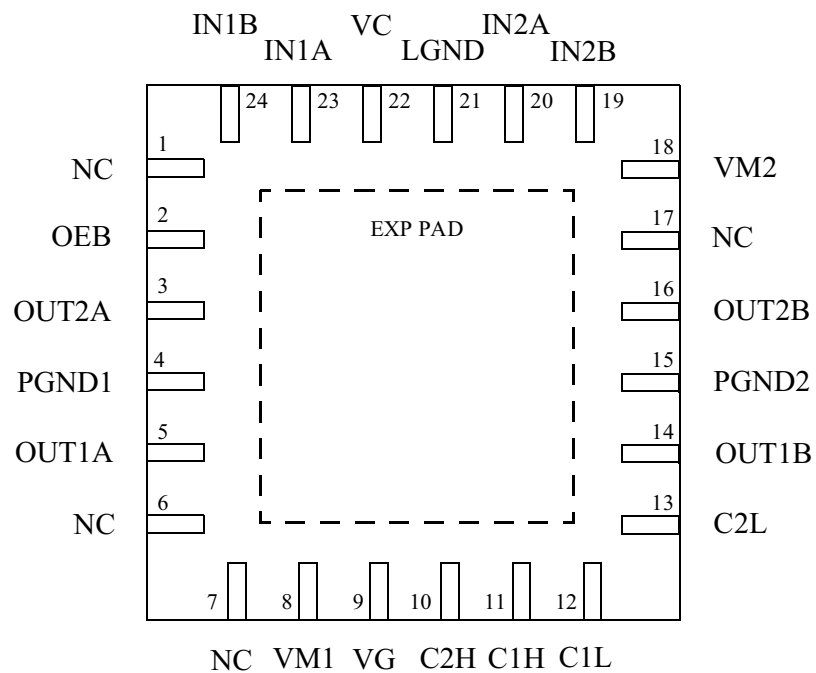


MPC17259EP (QFN24PIN) ピン配置図



TOP VIEW



MOTOROLA

Semiconductor Products Sector
COPYRIGHT MOTOROLA, INC. ALL RIGHTS RESERVED

ELECTRONIC VERSIONS ARE UNCONTROLLED EXCEPT WHEN ACCESSED DIRECTLY FROM THE SPS DOCUMENT CONTROL REPOSITORY.
PRINTED VERSIONS ARE UNCONTROLLED EXCEPT WHEN STAMPED "CONTROLLED COPY" IN RED.

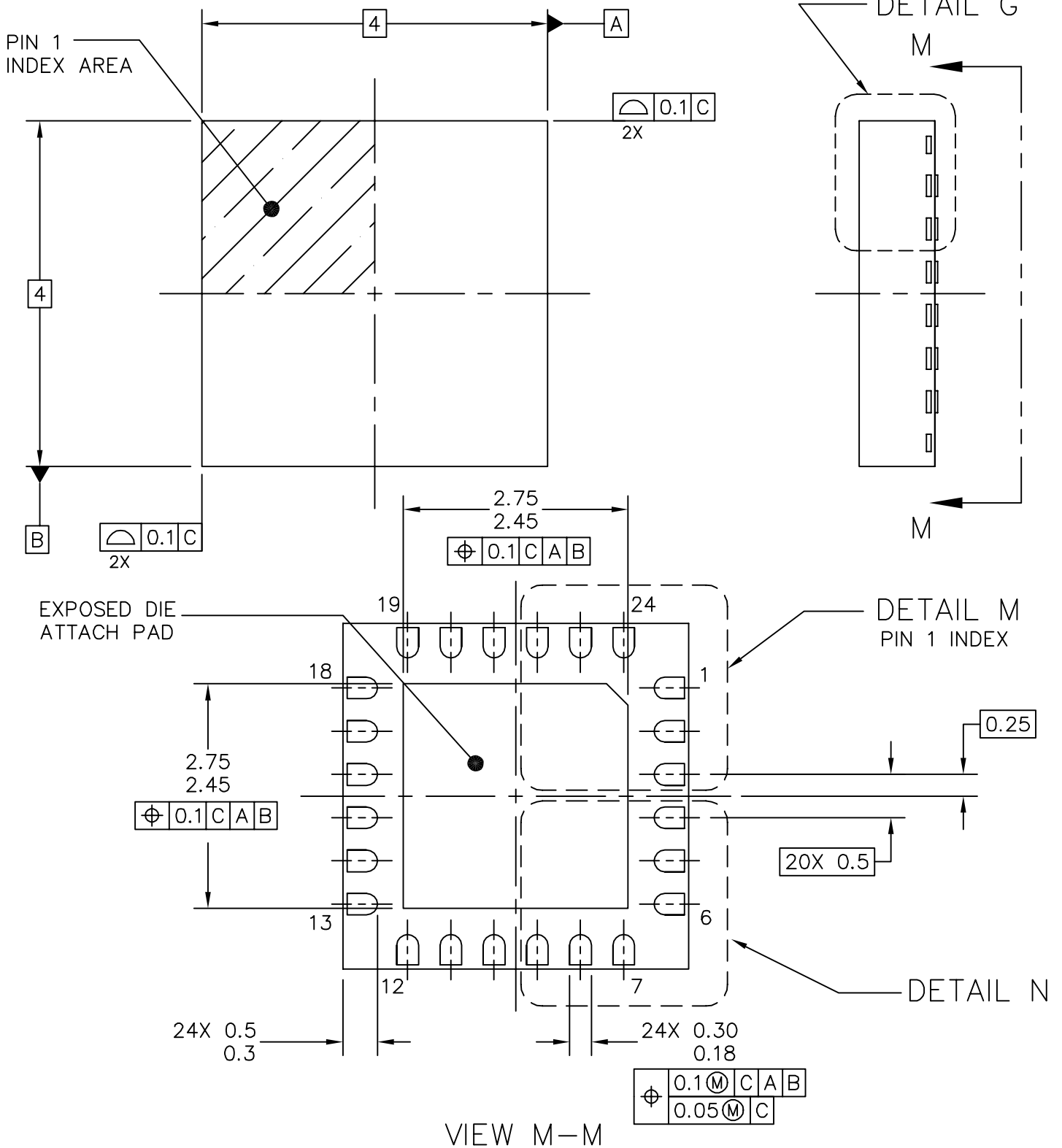
**MECHANICAL OUTLINES
DICTIONARY**

DOCUMENT NO: 98ARL10577D

PAGE: 1508

DO NOT SCALE THIS DRAWING

REV: 0



TITLE: THERMALLY ENHANCED QUAD
FLAT NON-LEADED PACKAGE (QFN)
24 TERMINAL, 0.5 PITCH (4 X 4 X 1)

CASE NUMBER: 1508-01

STANDARD: MOT STD

PACKAGE CODE: 6135

SHEET: 1 OF 4



MOTOROLA

Semiconductor Products Sector
COPYRIGHT MOTOROLA, INC. ALL RIGHTS RESERVED

ELECTRONIC VERSIONS ARE UNCONTROLLED EXCEPT WHEN ACCESSED DIRECTLY FROM THE SPS DOCUMENT CONTROL REPOSITORY.
PRINTED VERSIONS ARE UNCONTROLLED EXCEPT WHEN STAMPED "CONTROLLED COPY" IN RED.

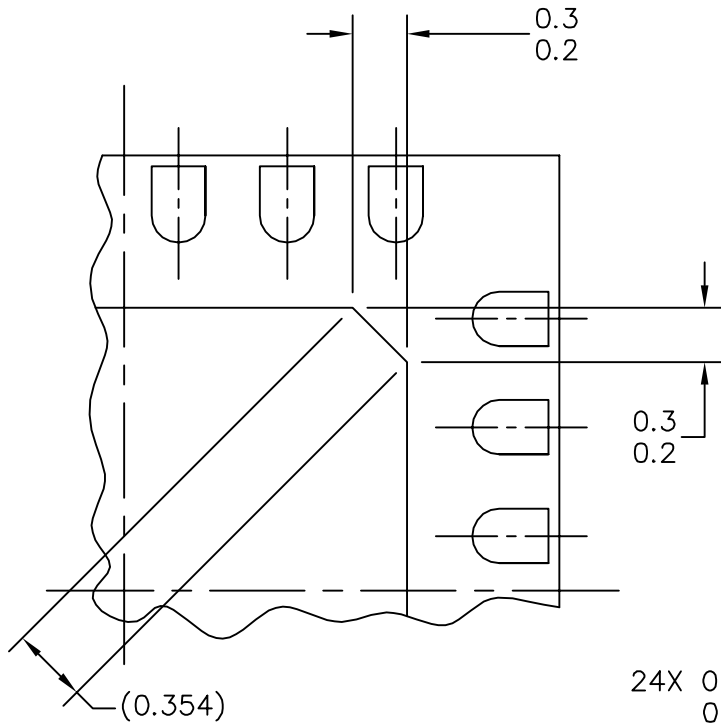
**MECHANICAL OUTLINES
DICTIONARY**

DOCUMENT NO: 98ARL10577D

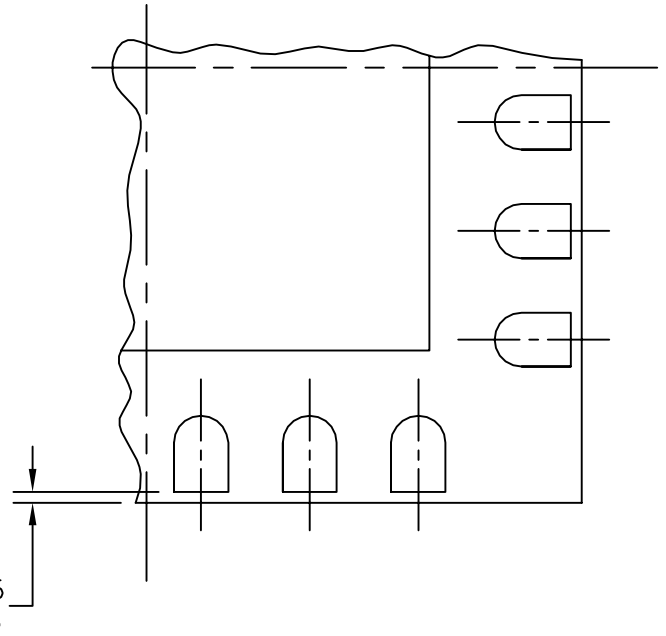
PAGE: 1508

DO NOT SCALE THIS DRAWING

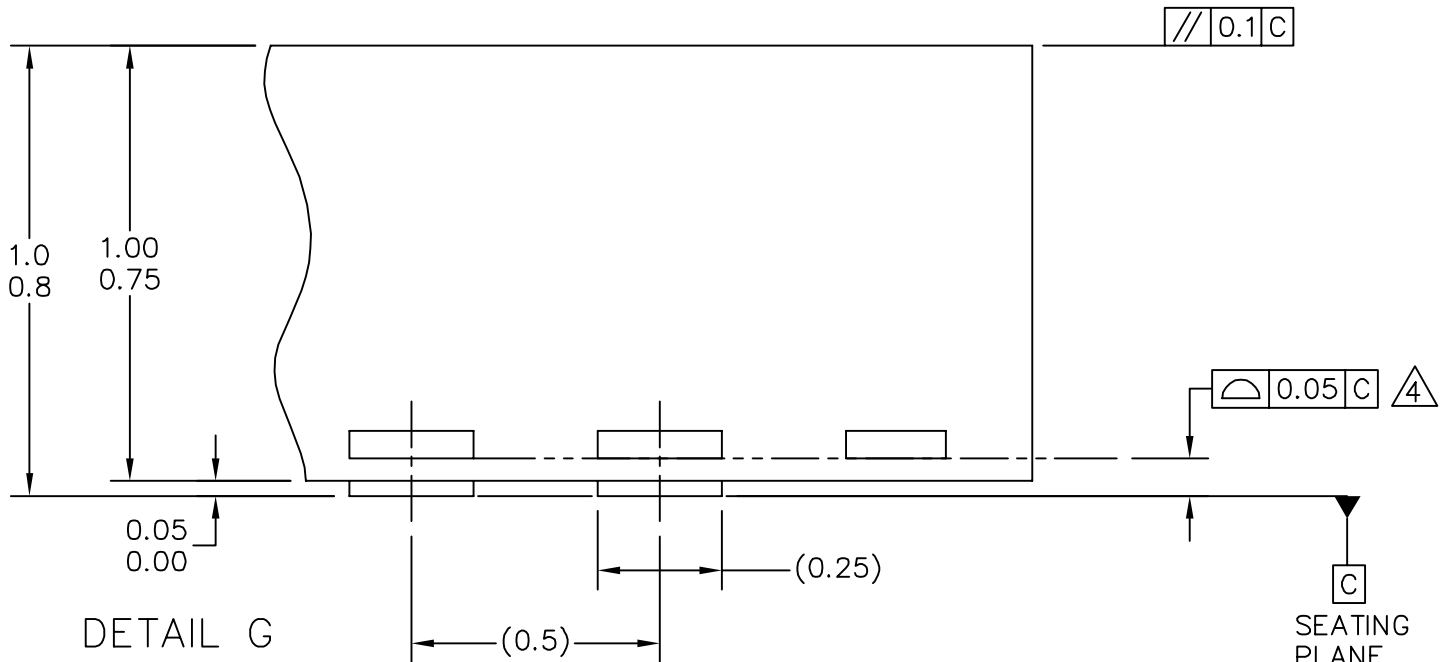
REV: 0



DETAIL M
PIN 1 BACKSIDE IDENTIFIER



DETAIL N
CORNER CONFIGURATION



DETAIL G
VIEW ROTATED 90° CW

TITLE: THERMALLY ENHANCED QUAD
FLAT NON-LEADED PACKAGE (QFN)
24 TERMINAL, 0.5 PITCH (4 X 4 X 1)

CASE NUMBER: 1508-01

STANDARD: MOT STD

PACKAGE CODE: 6135

SHEET: 2 OF 4



MOTOROLA

Semiconductor Products Sector

COPYRIGHT MOTOROLA, INC. ALL RIGHTS RESERVED

ELECTRONIC VERSIONS ARE UNCONTROLLED EXCEPT WHEN ACCESSED DIRECTLY FROM THE SPS DOCUMENT CONTROL REPOSITORY.
PRINTED VERSIONS ARE UNCONTROLLED EXCEPT WHEN STAMPED "CONTROLLED COPY" IN RED.

**MECHANICAL OUTLINES
DICTIONARY**


DOCUMENT NO: 98ARL10577D

PAGE: 1508

DO NOT SCALE THIS DRAWING

REV: 0

NOTES:

1. ALL DIMENSIONS ARE IN MILLIMETERS.
2. DIMENSIONING AND TOLERANCING PER ASME Y14.5M-1994.
3. THE COMPLETE JEDEC DESIGNATOR FOR THIS PACKAGE IS: HF-PQFP-N.
4.  COPLANARITY APPLIES TO LEADS AND DIE ATTACH PAD.

TITLE: THERMALLY ENHANCED QUAD
 FLAT NON-LEADED PACKAGE (QFN)
 24 TERMINAL, 0.5 PITCH (4 X 4 X 1)

CASE NUMBER: 1508-01

STANDARD: MOT STD

PACKAGE CODE: 6135

SHEET: 3 OF 4