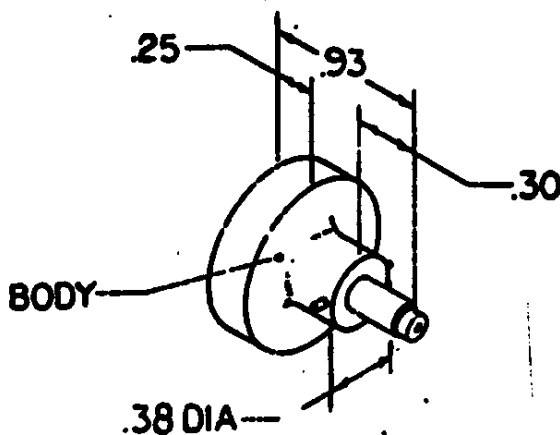
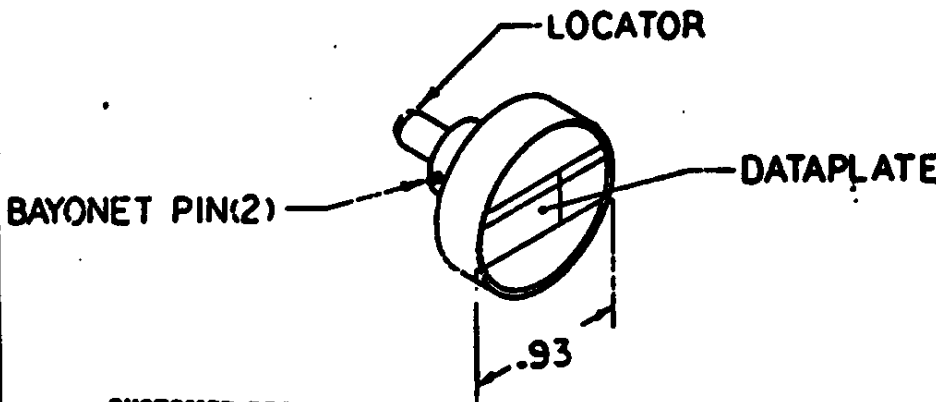


THIS INFORMATION IS CONFIDENTIAL AND IS ENCLOSED TO YOU ON CONDITION THAT NO FURTHER DISCLOSURE IS MADE BY YOU TO OTHERS WITHOUT WRITTEN AUTHORIZATION FROM AMP PRODUCTS CORP., VALLEY FORGE, PA, U. S. A.



USE WITH CONTACTS		
REL	M24308/10-1 M24308/11-1 M38028/11-20-20 M38028/12-20-20	M24308/16A/17 -1 THRU -5 INNER P & S
4	---	RG141A, 142A, 142B, 179B, 180B, 182, 196A, 198A, 303, 316/U
5	24	RG66B, 59C, 223/U
6	22	---
7	20	---



ISSUED BY *[Signature]*
MAR 26 1988
ENGINEERING

CUSTOMER DRAWING
UNPUBLISHED

DO NOT SCALE DRAWING

ESD		601966-5		POSITIONER, AS SHOWN		ITEM NO
D		DWG SIZE	PART NO	DESCRIPTION		ITEM NO
DIST		← REVISION OF EACH ASSY NO (WHEN BLANK, USE DWG REVISION)				
1		QTY REQD PER ASSY		PARTS LIST		
			MATERIAL	HEAT TREAT	FINISH	
			---	---	---	
			TOLERANCES UNLESS OTHERWISE SPECIFIED:	DA Ray Johnston 6-9-88	APP Ray Johnston 6-9-88	
			DECIMALS:	CHK W. Werner 6/12/88	REL F. HARNED 3/20/89	
			.00 = ± .02	AMP PRODUCTS CORPORATION Valley Forge, PA 19482 A Subsidiary of AMP Incorporated		
			.000 = ± .000			
			.0000 = ± .0000			
			ANGLES: ± 0° 30'			
			FRACTIONS: ± 1/64	NAME		
			REMOVE BURRS	POSITIONER, K13-1		
			SCALE	A		DWG NO
				601966-5		SHEET
P	F	LTR	REVISION RECORD	APP DATE		REV
			REL DWS 6-9-88	FJ. 6/88		0