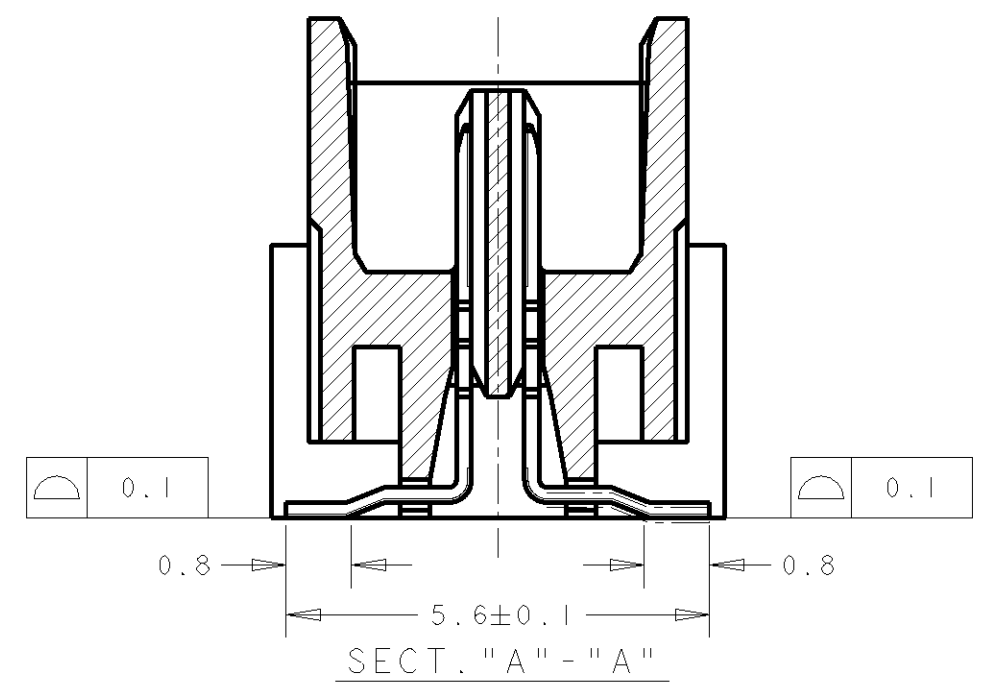
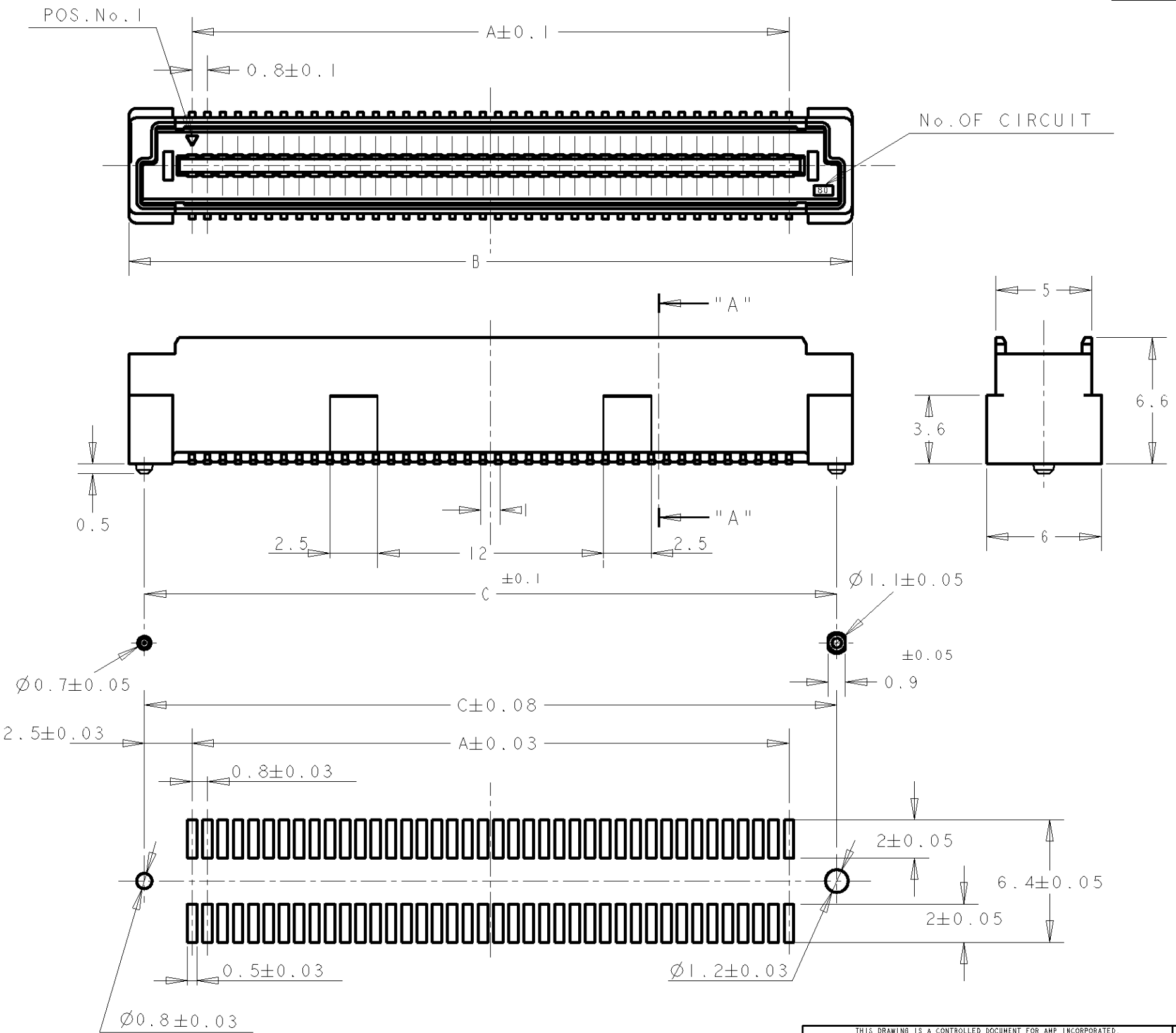


LOC	DIST	REVISIONS			
P	LTR	DESCRIPTION	DATE	DWN	APVD
DY	-	03 REVISED ECR-07-027079	15NOV07	LWY	SYJ



- NOTES:
- 1 MATERIAL; HOUSING: L.C.P. (HIGH TEMP THERMO PLASTIC) UL 94V-0, NATURAL. CONTACT: BRASS.
 - 2 FINISH; CONTACT AREA: 0.0002 MIN GOLD ON 0.0013 MIN ALL OVER NICKEL. SOLDERING AREA: 0.002 MIN MATTE-TIN.
 - 3. POSITION SERIES: SEE TABLE.
 - 4. CONN STACK HEIGHT COMBINE OF PLUG "Y" H VS REC "X" H. STACK HEIGHT = Y + X - 5
 - 5 FINISH: CONTACT AREA: 0.00076 MIN GOLD ON 0.0013 MIN ALL OVER NICKEL. SOLDERING AREA: 0.002 MIN MATTE-TIN.

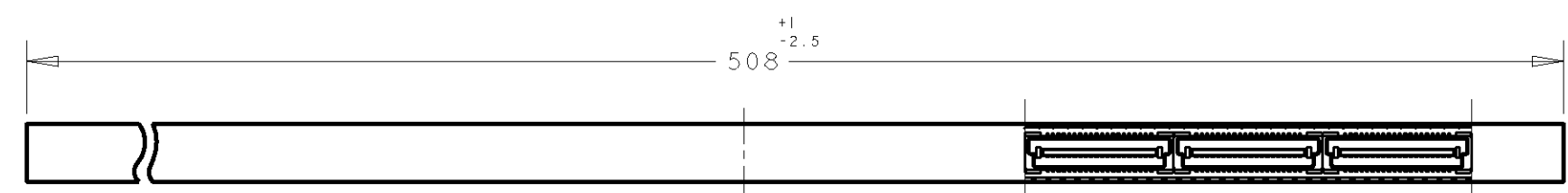
RECOMMENDED P.C. BOARD LAYOUT

P/N SEE SHEET 2 AND 3 OF 3

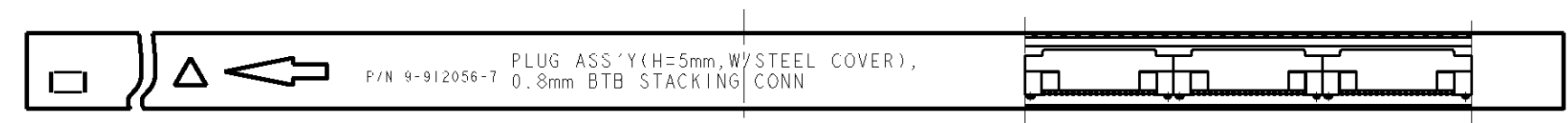
THIS DRAWING IS A CONTROLLED DOCUMENT FOR AMP INCORPORATED. IT IS SUBJECT TO CHANGE AND THE CONTROLLING ENGINEERING ORGANIZATION SHOULD BE CONTACTED FOR THE LATEST REVISION.		DWN 30AUG04 FLORENCE TAN	Tyco Electronics Corporation Singapore	
DIMENSIONS: mm		CHK ERIC TNG	NAME PLUG ASSEMBLY 7H TYPE (0.5 BOSS LENGTH) FOR FH 0.8mm PITCH B-T-B CONNECTOR	
TOLERANCES UNLESS OTHERWISE SPECIFIED: 0 PLC ± 1 PLC ±0.30 2 PLC ±0.25 3 PLC ±0.20 4 PLC ± ANGLES ±3°		APVD SF JFONG	SIZE A3	
MATERIAL		PRODUCT SPEC 108-5390	CAGE CODE 00779	DRAWING NO C-5179030
FINISH SEE P/N TABLE		APPLICATION SPEC 114-5254	SCALE 4:1 SHEET 1 OF 3 REV 03	
		WEIGHT -	CUSTOMER DRAWING	

THIS DRAWING IS UNPUBLISHED. RELEASED FOR PUBLICATION .19
 © COPYRIGHT 19 BY AMP INCORPORATED. ALL RIGHTS RESERVED.

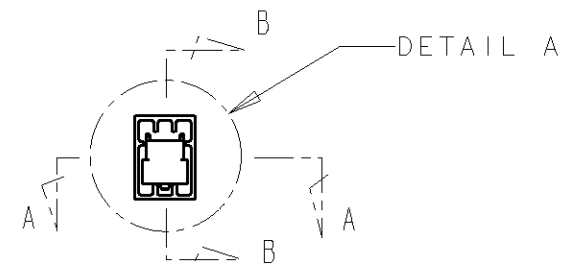
LOC	DIST	REVISIONS				
P	LTR	DESCRIPTION	DATE	DWN	APVD	
DY	-	SEE SHEET 1 OF 3	-	-	-	



SECT A-A

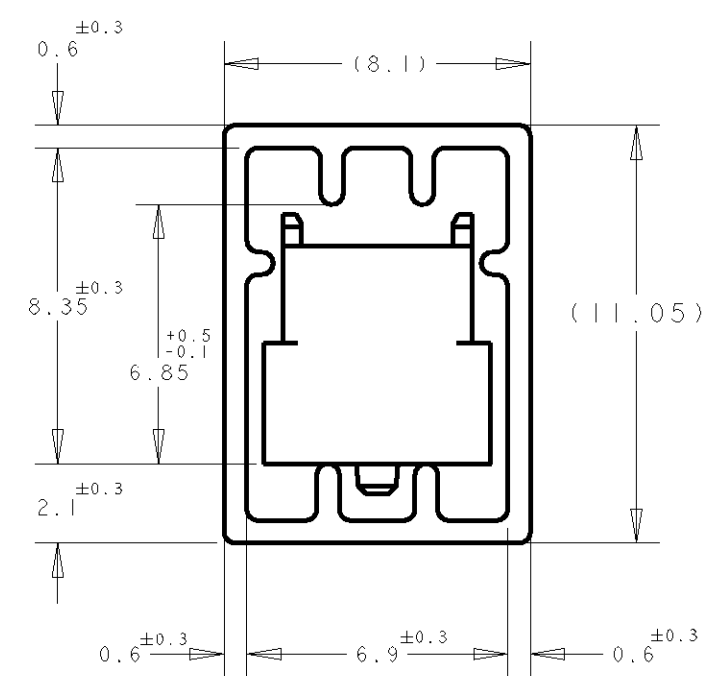


SECT B-B



REFERENCE PICTURE OF TUBE PACK

PLUG ASS'Y (H=5mm, W/ STEEL COVER),
 P/N 9-912056-7 0.8mm BTB STACKING CONN



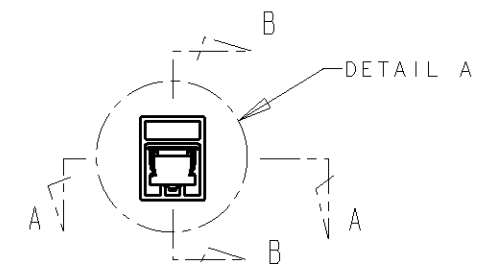
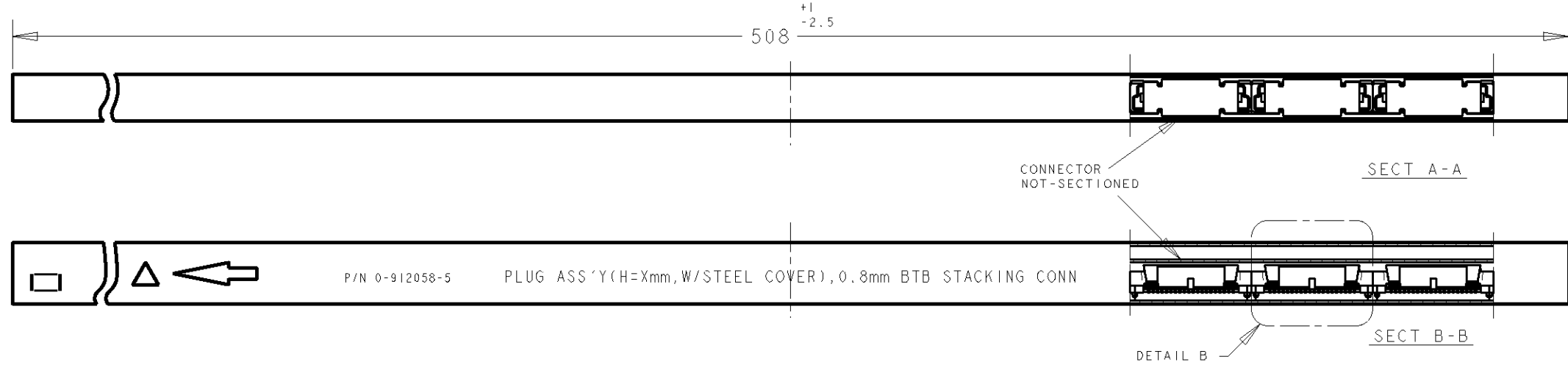
DETAIL "B"
(SCALE 5-1)

CNT PLT	5	84.2	85.8	79.2	200	2-	-0
	6	76.2	77.8	71.2	180	1-	-9
	6	68.2	69.8	63.2	160	1-	-8
	7	64.2	65.8	59.2	150	1-	-7
	7	60.2	61.8	55.2	140	1-	-6
	9	52.2	53.8	47.2	120	1-	-5
	10	44.2	45.8	39.2	100	1-	-4
	12	36.2	37.8	31.2	80	1-	-3
	16	28.2	29.8	23.2	60	1-	-2
	22	20.2	21.8	15.2	40	1-	-1
	5	84.2	85.8	79.2	200	1-	-0
	6	76.2	77.8	71.2	180		-9
	6	68.2	69.8	63.2	160		-8
	7	64.2	65.8	59.2	150		-7
	7	60.2	61.8	55.2	140		-6
	9	52.2	53.8	47.2	120		-5
	10	44.2	45.8	39.2	100		-4
	12	36.2	37.8	31.2	80		-3
	16	28.2	29.8	23.2	60		-2
	22	20.2	21.8	15.2	40		-1
FINISH	QTY/TUBE	C	B	A	POS.	CONN P/N	

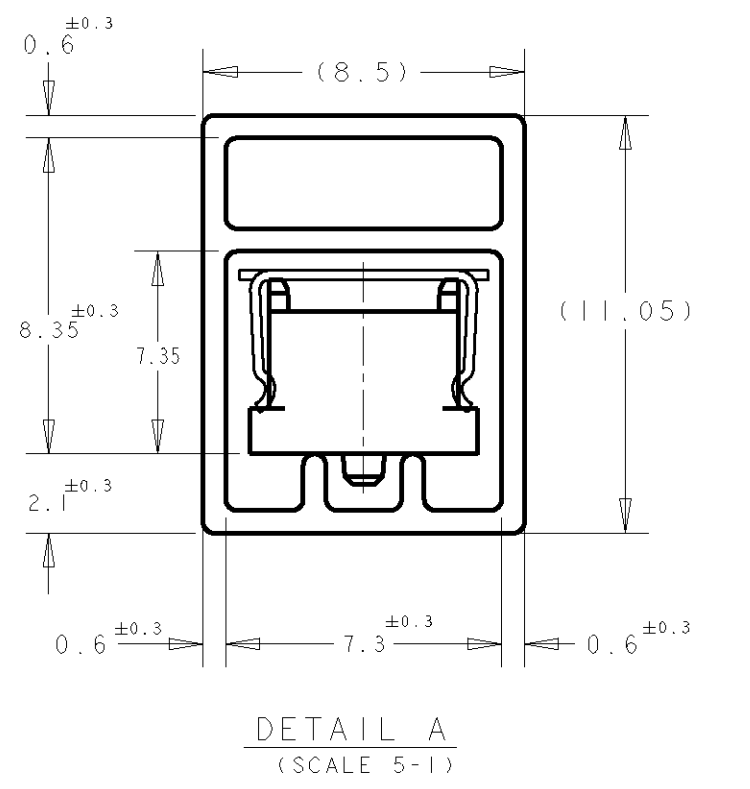
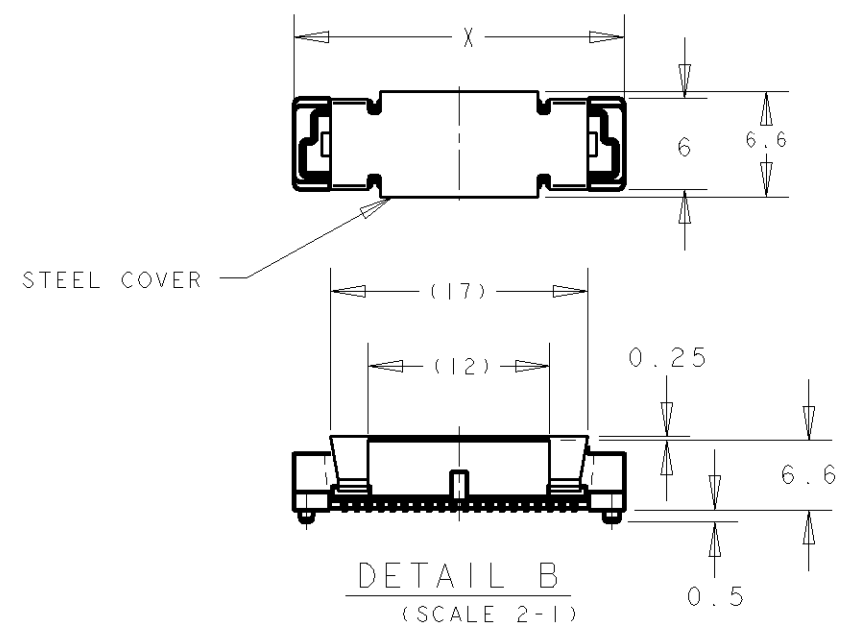
THIS DRAWING IS A CONTROLLED DOCUMENT FOR AMP INCORPORATED. IT IS SUBJECT TO CHANGE AND THE CONTROLLING ENGINEERING ORGANIZATION SHOULD BE CONTACTED FOR THE LATEST REVISION.		DWN 30AUG04 FLORENCE TAN CHK ERIC TNG APVD SF JFONG PRODUCT SPEC 108-5390 APPLICATION SPEC 114-5254 WEIGHT - CUSTOMER DRAWING	Tyco Electronics Corporation Singapore NAME PLUG ASSEMBLY 7H TYPE (0.5 BOSS LENGTH) FOR FH 0.8mm PITCH B-T-B CONNECTOR SIZE A3 CAGE CODE 00779 DRAWING NO. 5179030 SCALE 4:1 SHEET 2 OF 3 REV 03
DIMENSIONS: mm 	TOLERANCES UNLESS OTHERWISE SPECIFIED: 0 PLC ± 1 PLC ±0.30 2 PLC ±0.25 3 PLC ±0.20 4 PLC ± ANGLES ±3°	MATERIAL 	FINISH SEE P/N TABLE

THIS DRAWING IS UNPUBLISHED. RELEASED FOR PUBLICATION .19 .
 © COPYRIGHT 19 BY AMP INCORPORATED. ALL RIGHTS RESERVED.

LOC	DIST	REVISIONS					
DY	-	P	LTR	DESCRIPTION	DATE	DWN	APVD
				SEE SHEET 1	-	-	-



PLUG TUBE ASSY WITH STEEL COVER FOR FH 0.8 B-T-B CONNECTOR



WITH STEEL COVER	CNT PLT 30Au/Sn 5	5	85.8	200	3-	-0
		6	77.8	180	2-	-9
		6	69.8	160	2-	-8
		7	65.8	150	2-	-7
		7	61.8	140	2-	-6
		9	53.8	120	2-	-5
		10	45.8	100	2-	-4
		12	37.8	80	2-	-3
		16	29.8	60	2-	-2
22	21.8	40	2-5179030-1			
REMARKS	FINISH	QTY/TUBE	X	POS.	CONN P/N	

THIS DRAWING IS A CONTROLLED DOCUMENT FOR AMP INCORPORATED. IT IS SUBJECT TO CHANGE AND THE CONTROLLING ENGINEERING ORGANIZATION SHOULD BE CONTACTED FOR THE LATEST REVISION.		DWN 30AUG04 FLORENCE TAN	Tyco Electronics Corporation Singapore	
DIMENSIONS: mm	TOLERANCES UNLESS OTHERWISE SPECIFIED:	CHK ERIC TNG	NAME PLUG ASSEMBLY 7H TYPE (0.5 BOSS LENGTH) FOR FH 0.8mm PITCH B-T-B CONNECTOR	
	0 PLC ±	APVD SEIFONG	PRODUCT SPEC 108-5390	SIZE A3
	1 PLC ±0.30	PRODUCT SPEC 114-5254	APPLICATION SPEC	CAGE CODE 00779
	2 PLC ±0.25	WEIGHT -		DRAWING NO 5179030
	3 PLC ±0.20	CUSTOMER DRAWING		SCALE 1:1
	4 PLC ±			SHEET 3 OF 3
	ANGLES ±3°			REV 03
MATERIAL	FINISH SEE P/N TABLE			