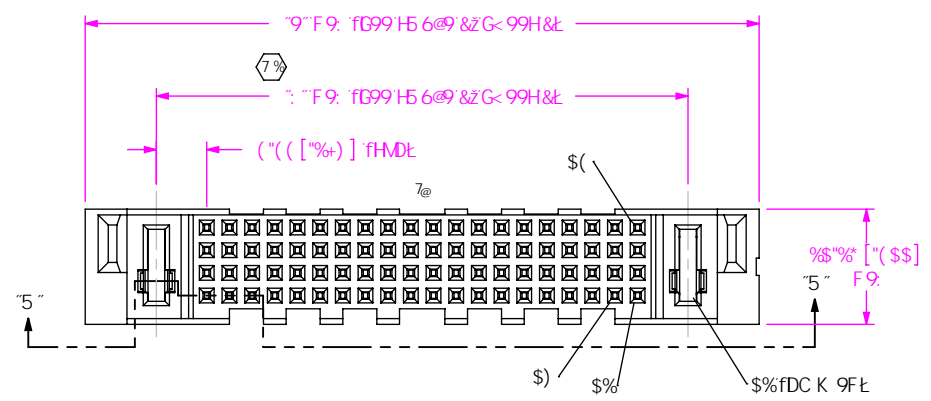


F9J GCB <

8C BCB  
G75@: FCA  
H<GDFBH

89G B98/8A 9BGC B98  
B'A @A 9DFG

A DG7!LL!LL!LL!L"LL!LL!LIJ!LL



DC K 9F D-BGfD9F '9B8L  
!\$%&!\$&  
G≠ B5@DBG  
!!!, \$f(L &&L  
!!!(. f(L %&L  
!!!\* f(L -L  
!!!&( f(L \*L  
!!!% f(L (L  
!!!, \$f(L &L  
!!!\$( f(L %L

C DHC B  
!@...@ 7?B: 7@D  
.....fl G9@!\$+HA L  
.....fG99: ≡ " &ZG<H&L

J 9FH7 5@

D@5HB: GD97 ≡ 7 5HC B  
!@ G99H56@'  
!H' G99H56@'

DC K 9F D-BGfD9F '9B8L  
!\$%&!\$&  
@58 GM@9  
!+"+\$  
H!-"+\$  
fG99H56@%L

H5 @9B: Hk  
!\$%: C F %) +OS\* &QK-?? D7 6  
H !&: C F " % O%& QK-?? D7 6  
H !' : C F & " \* OS- QK-?? D7 6

! 1 G99H56@9&: CF 5J 5-66@7 CA 6-B5HC B G  
H 1 BCHCC @8  
H 1 BCHF9@5 G98

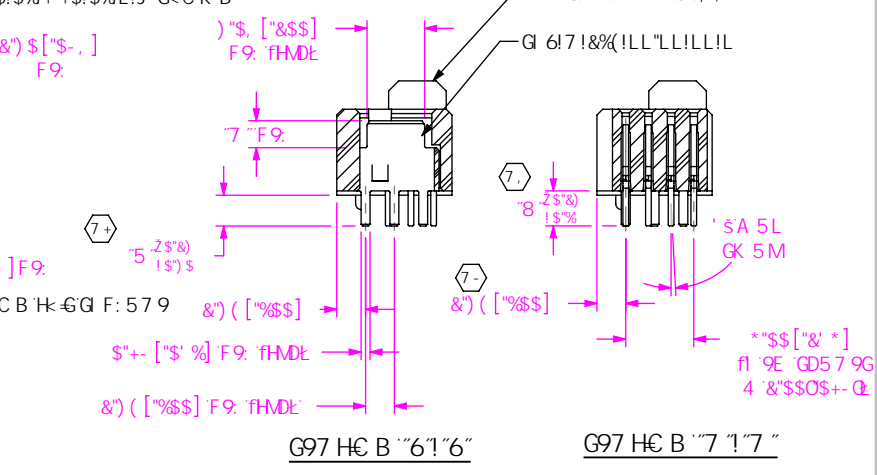
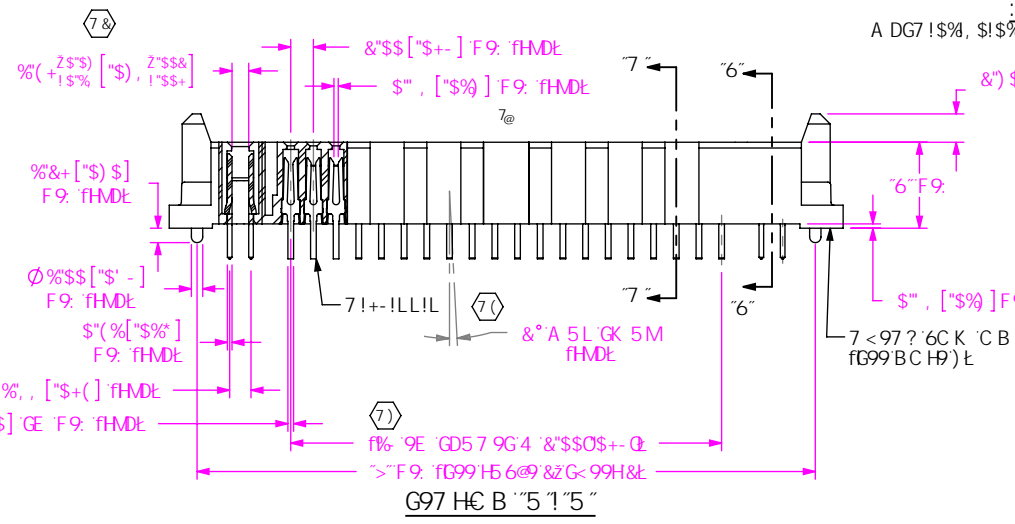


TABLE 1

PART NUMBER	BODY	POWER CONTACT SUB-ASSEMBLY	SIGNAL CONTACT	"A"	"B"	"C"	"D"	STACK HEIGHT
								MPTC-6.30-X-V-XX
MPSC-XX-XX-XX-7.70-01-X-V-XX	MPS-XX-07.70-V-XX-XX	SUB-C-214-07.70-01-X	C-79-07-L	2.72 [0.107]			3.09 [0.122]	
** MPSC-XX-XX-XX-7.70-02-X-V-XX	MPS-XX-07.70-V-XX-XX	SUB-C-214-07.70-02-X	C-79-53-L	4.32 [0.170]	7.58 [0.298]	2.37 [0.094]	4.79 [0.189]	14mm
☐ *** MPSC-XX-XX-XX-7.70-03-X-V-XX	MPS-XX-07.70-V-XX-XX	SUB-C-214-07.70-03-X	C-79-20-L	3.52 [0.139]			3.89 [0.153]	
** MPSC-XX-XX-XX-9.70-01-X-V-XX	MPS-XX-09.70-V-XX-XX	SUB-C-214-09.70-01-X	C-79-53-L	2.72 [0.107]			2.79 [0.110]	
** MPSC-XX-XX-XX-9.70-02-X-V-XX	MPS-XX-09.70-V-XX-XX	SUB-C-214-09.70-02-X	C-79-08-L	4.32 [0.170]	9.58 [0.377]	4.37 [0.172]	4.70 [0.185]	16mm
☐ ** MPSC-XX-XX-XX-9.70-03-X-V-XX	MPS-XX-09.70-V-XX-XX	SUB-C-214-09.70-03-X	C-79-20-L	3.52 [0.139]			3.89 [0.153]	

H 1 BCHCC @8  
H 1 BCHF9@5 G98  
BCHHG

% "7" F9DF9G9BHG5 7F #7 5@8-A 9BGC B"  
&" 6l FF 5@C K 5B7 9. '\$\$', 'O\$\$% QA 5L"  
" "A B A I A 'DI G<C I H: CF 7 9. ('() B 'O%' @Q  
("D5FHGC '69D5 7?5; 98 'B HF5M"  
☐ "6C K '5@C K 98 5H"\$) A A #A A 'O\$\$&-B #B Q  
" "A B A I A G≠ B5@7 C B H5 7 H/ '1@7 'DI @C I H: CF 7 9. ('() B 'O%' @Q  
+"D5FHGC '69D5 7?5; 98 'B HF5M"

I B @9G C H 9FK @9 GD97 = 982  
8 A 9BGC BG5F9-B A @A 9DFG  
HC @F5B7 9G 5F9.  
897 A 5@G .....5B: @G  
L'L ±\$% O\$%O .....&\*  
L'LL ±\$% O\$% O  
L'LLL ±\$% O\$%&S%O

D F C D F 9H5 F M B C H P  
H: G8C 71A 98H7C B H5 B G B: C F A 5H C B  
7 C B: 8 9B H5 @5 B 8 D F C D F 9H5 F M C  
G5 A H7 2 B 7 \* 5 B 8 G 5 @ B C H 6 9 F 9 D F C 8 I 7 9 8  
C F H 5 B G 9 F 9 8 H C C H 9 F 8 C 7 I A 9 B H G C F  
8 4 7 @ C 9 8 H C H 9 G C F I 9 8 : C F 5 B M  
D I F D C 9 C H 9 F H 5 B H 5 H K < 7 < H K 5 G  
C 6 H 5 8 9 K H C I H H 9 9 L D F 9 G 9 8 K F H 9 8  
7 C B 9 8 H C : G 5 A H 7 2 B 7

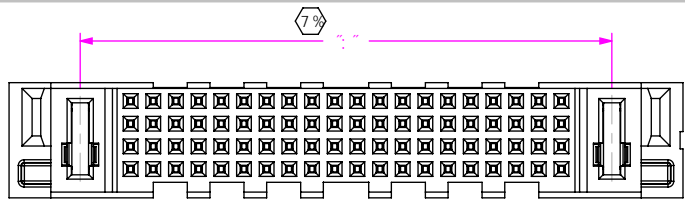
A 5HF@5@ 8C BCBG75@9 8F5K B: G<99H7 5@9 %)  
@G @5HC F. @ D27 C @ F. 6@5 7?  
DC K 9F 7 C B H 5 7 H 7 C D D 9 F 5 @C M  
G≠ B5@7 C B H 5 7 H D < C G 6 F C B N 9



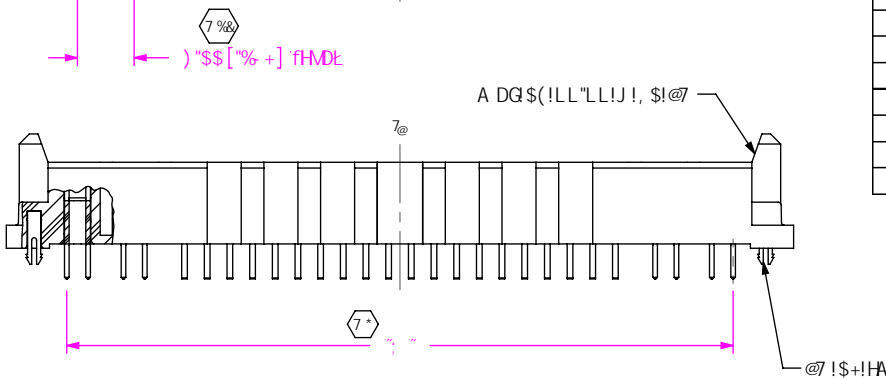
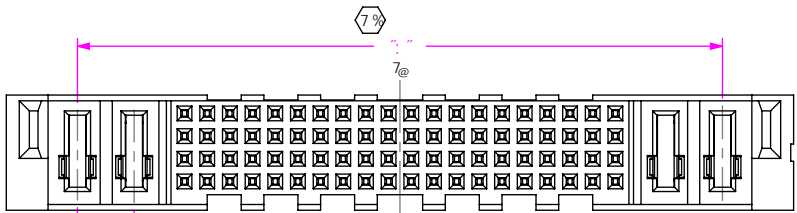
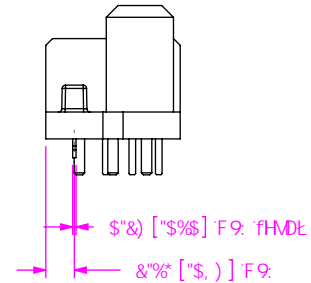
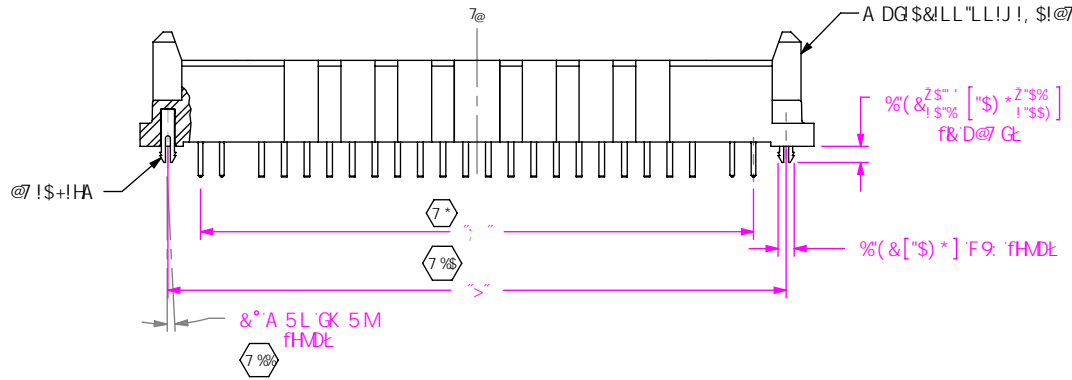
) &S D5? 95GH6@ 82B 9K 5 @65 BM-B (+@) \$  
D<C B 9. %&L- ((! \* + ..... 5L: %&L- (.) (\$ +  
Y I A U J. )b z 4 G 5 A H 7 'Wc a ..... Wc X Y. )' &&

89G7 F DHC B.  
J 9FH7 5@A B #DC K 9F K #G≠ B5@GC 7? 9H  
8K: "BC"  
A DG7!LL!LL!LL!L"LL!LL!LIJ!LL

6M 6F5H7 <9F &#9/6 #&\$\$+ G<99H% C: &



⊕ ⊖ " &  
A DG7!\$&, !\$&f+!\$%L!J!@ 'G<C K B  
fc5A 9'5 G: ⊕ "%! B@GGC H-9FK -G9 G5 H98 L



PART NUMBER	BODY	"E"	"F"	"G"	"J"
MPSC-01-80-01-X XX-XX-X-V-XX	MPS-02-XX XX-V-80-XX	59.44 [2.340]	46.89 [1.846]	48.77 [1.920]	54.52 [2.146]
***MPSC-02-80-02-X XX-XX-X-V-XX	MPS-04-XX XX-V-80-XX	69.44 [2.734]	56.89 [2.240]	58.77 [2.314]	64.52 [2.540]
***MPSC-01-48-01-X XX-XX-X-V-XX	MPS-02-XX XX-V-48-XX	43.44 [1.710]	30.89 [1.216]	32.77 [1.290]	38.52 [1.517]
***MPSC-02-48-02-X XX-XX-X-V-XX	MPS-04-XX XX-V-48-XX	53.44 [2.104]	40.89 [1.610]	42.77 [1.684]	48.52 [1.910]
***MPSC-01-36-01-X XX-XX-X-V-XX	MPS-02-XX XX-V-36-XX	37.44 [1.474]	24.89 [0.980]	26.77 [1.054]	32.52 [1.280]
***MPSC-02-36-02-X XX-XX-X-V-XX	MPS-04-XX XX-V-36-XX	47.44 [1.868]	34.89 [1.374]	36.77 [1.448]	42.52 [1.674]
MPSC-01-24-01-X XX-XX-X-V-XX	MPS-02-XX XX-V-24-XX	31.44 [1.238]	18.89 [0.744]	20.77 [0.818]	26.52 [1.044]
MPSC-02-24-02-X XX-XX-X-V-XX	MPS-04-XX XX-V-24-XX	41.44 [1.631]	28.89 [1.137]	30.77 [1.211]	36.52 [1.438]
***MPSC-01-16-01-X XX-XX-X-V-XX	MPS-02-XX XX-V-16-XX	27.44 [1.080]	14.89 [0.586]	16.77 [0.660]	22.52 [0.887]
***MPSC-02-16-02-X XX-XX-X-V-XX	MPS-04-XX XX-V-16-XX	37.44 [1.474]	24.89 [0.980]	26.77 [1.054]	32.52 [1.280]
***MPSC-01-08-01-X XX-XX-X-V-XX	MPS-02-XX XX-V-08-XX	23.44 [0.923]	10.89 [0.429]	12.77 [0.503]	18.52 [0.729]
***MPSC-02-08-02-X XX-XX-X-V-XX	MPS-04-XX XX-V-08-XX	33.44 [1.317]	20.89 [0.822]	22.77 [0.896]	28.52 [1.123]
***MPSC-01-04-01-X XX-XX-X-V-XX	MPS-02-XX XX-V-04-XX	21.44 [0.844]	8.89 [0.350]	10.77 [0.424]	16.52 [0.650]
***MPSC-02-04-02-X XX-XX-X-V-XX	MPS-04-XX XX-V-04-XX	31.44 [1.238]	18.89 [0.744]	20.77 [0.818]	26.52 [1.044]

PLATING	POWER PIN CONNECTOR	POWER PIN TAIL	SIGNAL PIN CONTACT AREA	SIGNAL PIN TAIL
-L	LIGHT GOLD	MATTE TIN	LIGHT GOLD	MATTE TIN
-T	MATTE TIN	MATTE TIN	LIGHT GOLD	MATTE TIN

|||BC HF9@95 G98 : C F'DFC 81 7 HC B

⊕ ⊖ " &  
A DG7!\$&, !\$&f+!\$%L!J!@ 'G<C K B  
fc5A 9'5 G: ⊕ "%! B@GGC H-9FK -G9 G5 H98 L

DFC DF 95 FMB C H  
H: G8C 71A 98H7 C B16 B G B: CFA 5HC B  
7 C B: 898H5 95B8 DFC DF 945 FMB C  
GSA H97 2 87 588 G-5 988C H69 F90FC 81 7 98  
C F H58G 9F98 HC C H: 9F 8C 71A 98H6 C F  
8 47 @C 98H HC C H: 9F GCF I 98: C F 58M  
D FDC 09 C H: 9F H: 5B H: 5HK <7 < 4H 5G  
C 616 B 98 K H: C I H: 9 9L DF 9098 K F H68  
7 C B 98HC: GSA H97 2 87 "

8C 'BCH G7 5 @ 8F5K B:  
G: 99HG7 5 @ 9%+): %

89G7 F 0HC B:  
J 9FH7 5 @A B #DC K 9F 'K #G# B5 @GC 7 ? 9H  
8K : "BC"  
A DG7!LL!LL!LL!LL!LL!LL!LL!LL!LL!LL  
6M 6F5H7 <9F &#/%' #&\$ \$+ G<99H &C : &

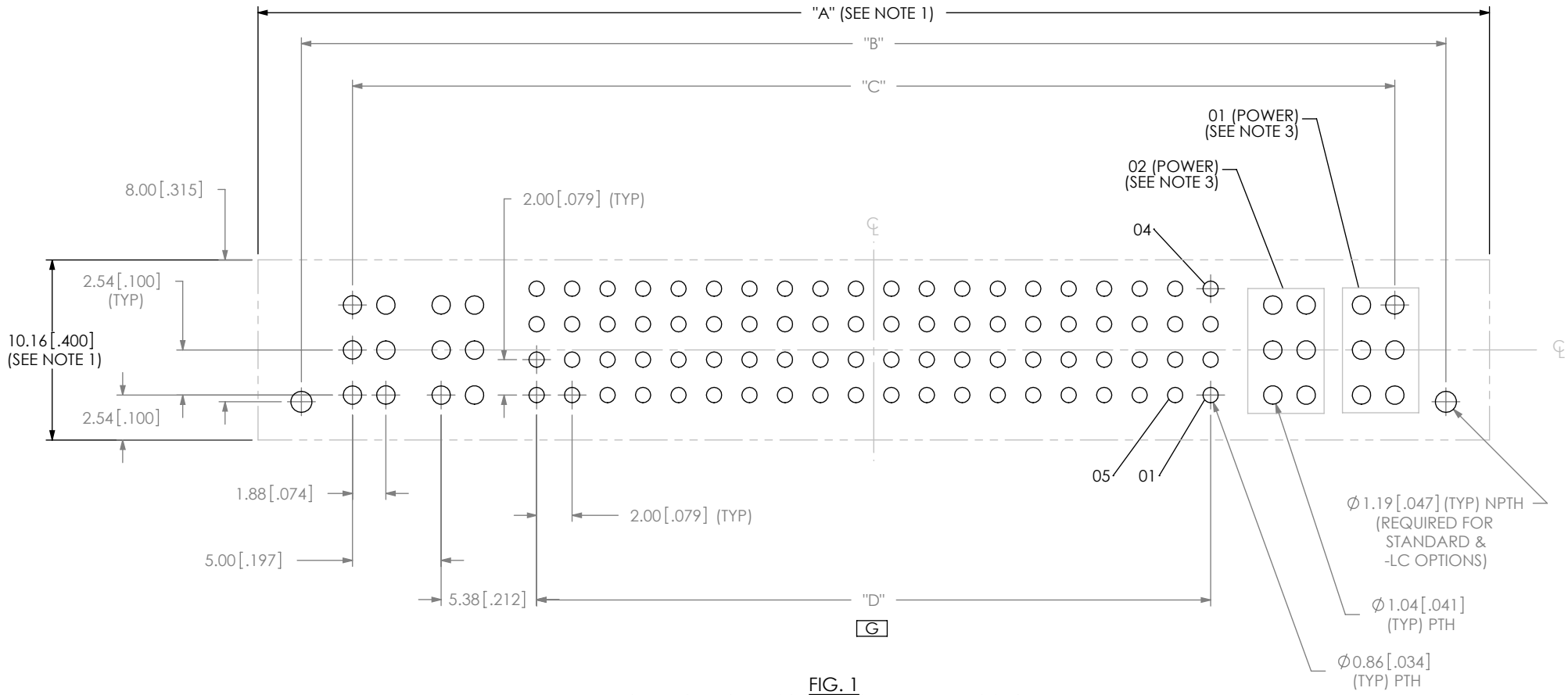


FIG. 1  
PCB LAYOUT FOR MPSC-02-80-02-X.XX-XX-X-V-LC SHOWN

- NOTES:
1. CONNECTOR ENVELOPE DIMENSIONS. OTHER COMPONENTS PLACED ON PCB SHALL AVOID THIS ZONE.
  2. ALL DIMENSIONS ARE SYMMETRIC ABOUT THE CENTERLINE.
  3. EACH GROUP HOLDS ONE POWER PIN.
  4. NOTE DELETED.

**DESIGNED & DIMENSIONED  
IN MILLIMETERS[INCHES]**

**PROPRIETARY NOTE**  
THIS DOCUMENT CONTAINS INFORMATION CONFIDENTIAL AND PROPRIETARY TO SAMTEC, INC. AND SHALL NOT BE REPRODUCED OR TRANSFERRED TO OTHER DOCUMENTS OR DISCLOSED TO OTHERS OR USED FOR ANY PURPOSE OTHER THAN THAT WHICH IT WAS OBTAINED WITHOUT THE EXPRESSED WRITTEN CONSENT OF SAMTEC, INC.

**samtec**  
520 PARK EAST BLVD, NEW ALBANY, IN 47150  
PHONE: 812-944-6733 FAX: 812-948-5047  
e-Mail: info@SAMTEC.com code: 55322

G

TABLE 1				
PART NUMBER	"A"	"B"	"C"	"D"
MPSC-01-04-01-X.XX-XX-X-V-XX	21.44 [0.844]	16.54 [0.651]	10.77 [0.424]	NA
MPSC-02-04-02-X.XX-XX-X-V-XX	31.44 [1.238]	26.54 [1.045]	20.77 [0.818]	NA
MPSC-01-08-01-X.XX-XX-X-V-XX	23.44 [0.923]	18.54 [0.730]	12.77 [0.503]	2.00 [0.079]
MPSC-02-08-02-X.XX-XX-X-V-XX	33.44 [1.317]	28.54 [1.124]	22.77 [0.896]	2.00 [0.079]
MPSC-01-16-01-X.XX-XX-X-V-XX	27.44 [1.080]	22.54 [0.887]	16.77 [0.660]	6.00 [0.236]
MPSC-02-16-02-X.XX-XX-X-V-XX	37.44 [1.474]	32.54 [1.281]	26.77 [1.054]	6.00 [0.236]
MPSC-01-24-01-X.XX-XX-X-V-XX	31.44 [1.238]	26.54 [1.045]	20.77 [0.818]	10.00 [0.394]
MPSC-02-24-02-X.XX-XX-X-V-XX	41.44 [1.631]	36.54 [1.439]	30.77 [1.211]	10.00 [0.394]
MPSC-01-36-01-X.XX-XX-X-V-XX	37.44 [1.474]	32.54 [1.281]	26.77 [1.054]	16.00 [0.630]
MPSC-02-36-02-X.XX-XX-X-V-XX	47.44 [1.868]	42.54 [1.675]	36.77 [1.448]	16.00 [0.630]
MPSC-01-48-01-X.XX-XX-X-V-XX	43.44 [1.710]	38.54 [1.517]	32.77 [1.290]	22.00 [0.866]
MPSC-02-48-02-X.XX-XX-X-V-XX	53.44 [2.104]	48.54 [1.911]	42.77 [1.684]	22.00 [0.866]
MPSC-01-80-01-X.XX-XX-X-V-XX	59.44 [2.340]	54.54 [2.147]	48.77 [1.920]	38.00 [1.496]
MPSC-02-80-02-X.XX-XX-X-V-XX	69.44 [2.734]	64.54 [2.541]	58.77 [2.314]	38.00 [1.496]

## PROPRIETARY NOTE

THIS DOCUMENT CONTAINS INFORMATION  
CONFIDENTIAL AND PROPRIETARY TO  
SAMTEC, INC. AND SHALL NOT BE REPRODUCED  
OR TRANSFERRED TO OTHER DOCUMENTS OR  
DISCLOSED TO OTHERS OR USED FOR ANY  
PURPOSE OTHER THAN THAT WHICH IT WAS  
OBTAINED WITHOUT THE EXPRESSED WRITTEN  
CONSENT OF SAMTEC, INC.



520 PARK EAST BLVD, NEW ALBANY, IN 47150  
PHONE: 812-944-6733 FAX: 812-948-5047  
e-Mail: info@SAMTEC.com code: 55322