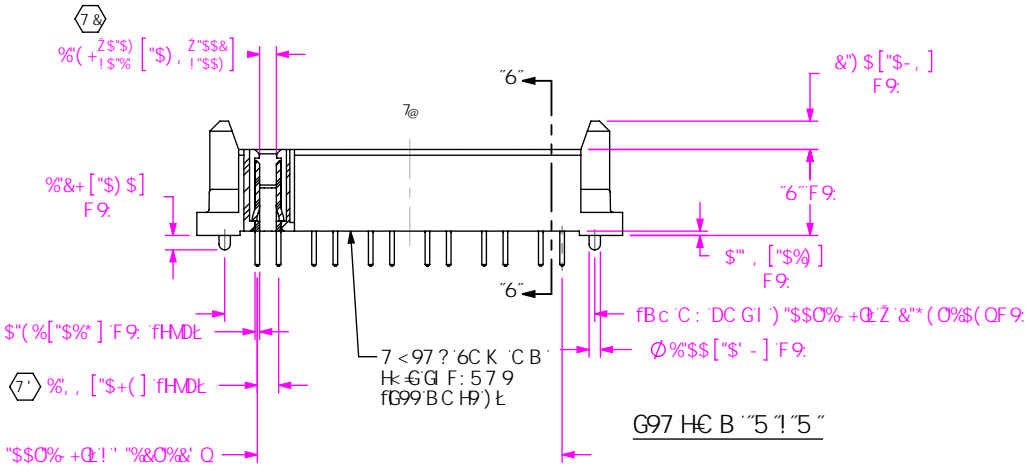
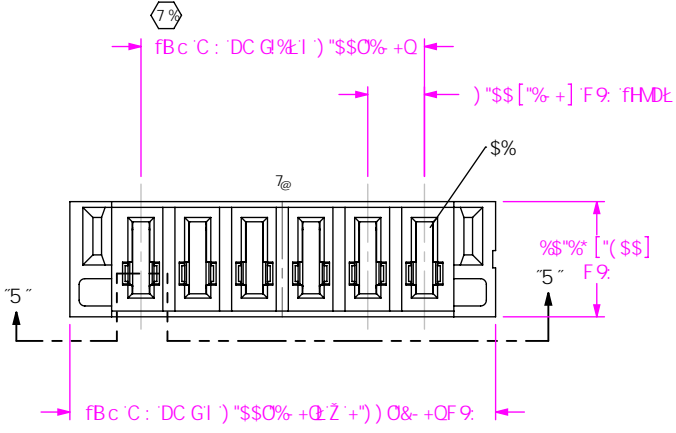


F9J GCB;

8C BCH
G75@: FCA
H-GDF-BH

89G B98/ 8-A 9BGC B98
B'A @A 9HFG



A DGLL!L"LL!LL!LIJ!LL

Bc C: DC GHC BG
!\$&Z!\$(Z!*\$Z!\$,
@58'GM@
!+*\$
! !-\$
fg99H56@9%
H5 @9B; H;
!\$: C F %) +OS* &OH-? ? D7 6
..... fl G9 G 6!7!&%(!LL"LL!\$%LL
! ! \$& : C F " % O%) OH-? ? D7 6
..... fl G9 G 6!7!&%(!LL"LL!\$%LL
! ! \$: C F & * OS- ' OH-? ? D7 6
..... fl G9 G 6!7!&%(!LL"LL!\$%LL

C DHC B
!@ : @ 7 ? B; 7 @D
..... fl G9 @ ! \$ + H L
..... fg99 : = " & Z < H & L
J 9FH7 5@
D@HB; 'GD97 = 7 5HC B
!@ G99H56@9 &
!H G99H56@9 &

! 1' BCHHC @8
!! 1' BCFH9@5G98: CF DFC8I 7HC B

: = "%
A DG\$*!+ "\$!\$%L!J 'G<C K B

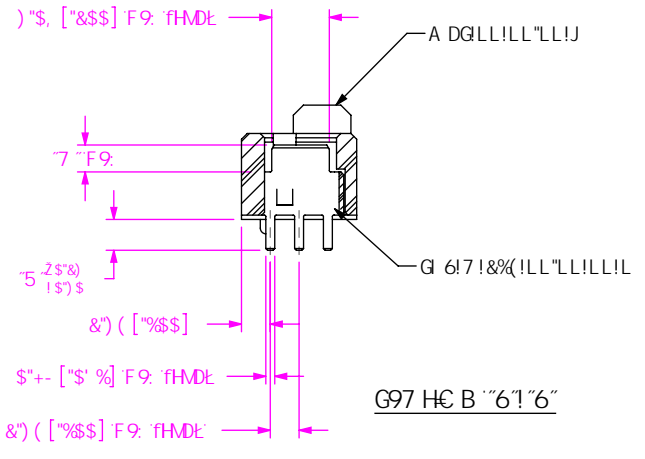
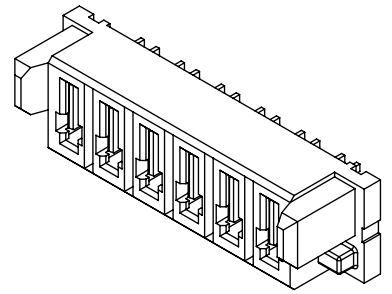


TABLE 1						
PART NUMBER	BODY	CONTACT SUB-ASSEMBLY	"A"	"B"	"C"	STACK HEIGHT
						MPT-6.30-X-V-XX
MPS-XX-7.70-01-X-V-XX	MPS-XX-07.70-V	SUB-C-214-07.70-01-X	2.72 [0.107]	7.58 [0.298]	2.37 [0.094]	14mm
* MPS-XX-7.70-02-X-V-XX	MPS-XX-07.70-V	SUB-C-214-07.70-02-X	4.32 [0.170]			
** MPS-XX-7.70-03-X-V-XX	MPS-XX-07.70-V	SUB-C-214-07.70-03-X	3.52 [0.139]			
* MPS-XX-9.70-01-X-V-XX	MPS-XX-09.70-V	SUB-C-214-09.70-01-X	2.72 [0.107]	9.58 [0.377]	4.37 [0.172]	16mm
* MPS-XX-9.70-02-X-V-XX	MPS-XX-09.70-V	SUB-C-214-09.70-02-X	4.32 [0.170]			
** MPS-XX-9.70-03-X-V-XX	MPS-XX-09.70-V	SUB-C-214-09.70-03-X	3.52 [0.139]			



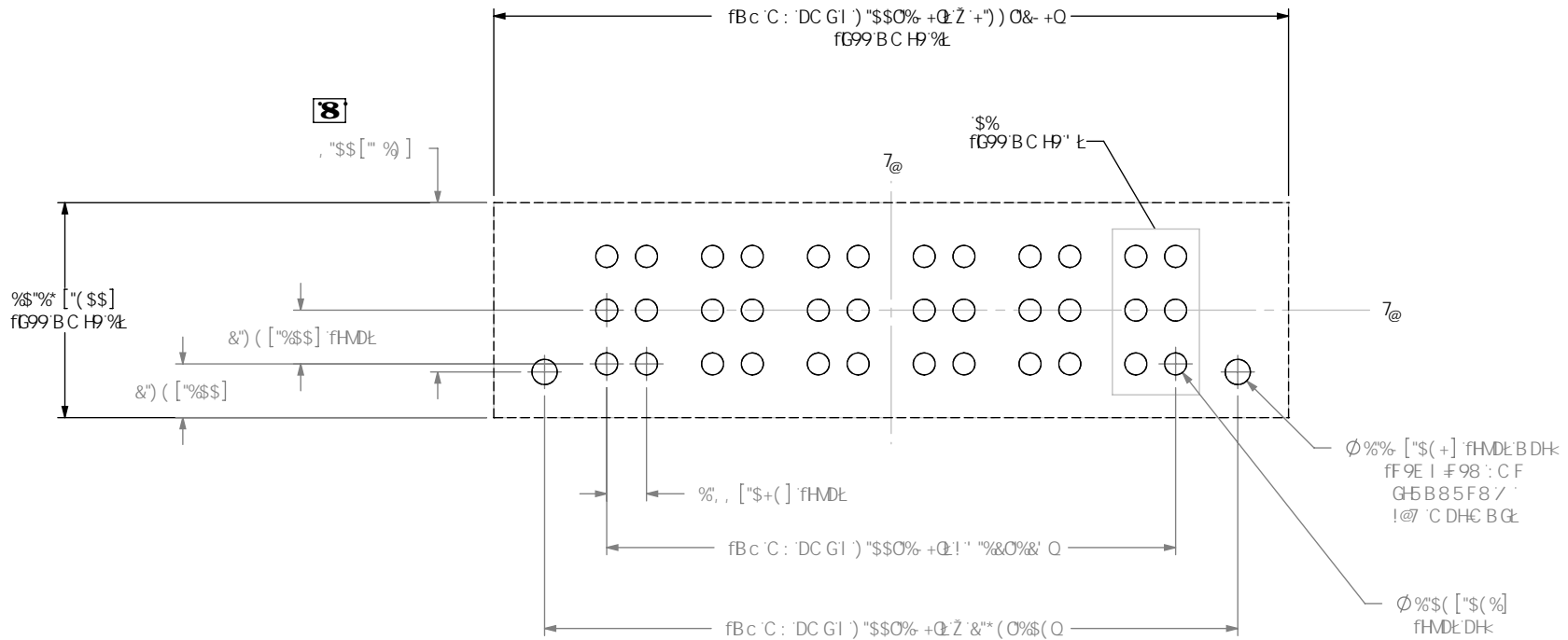
! 1' BCHHC @8
!! 1' BCFH9@5G98: CF DFC8I 7HC B
BC H9G

% " 7@ " F9DF9G9BHG5 7 F #7 5 @A 9BGC B"
&" 6! FF 5 @C K 5 B 7 9: "S" , OS\$% QA 5L"
' "A -B-A I A 'DI G<C I H: C F 7 9: (") B O'S @6Q
("D5FHGC '69D57?5; 98 -B 'H5MG"
) "6C K 5 @C K 98 5H\$"\$S\$A #A A O'S\$&-B #BQ
*"A -B-A I A '1@ 'DI @C I H: C F 7 9: &'&' B O'S) @6Q
+"D5FHGC '69D57?5; 98 -B 'H5MG"

I B @9G C H: 9FK -G9 GD97 = 982
8 A 9BGC BG5F9-B A @A 9HFG
HC @F5B7 9G 5F9.
897 A 5@G5B; @9G
"L : +\$ " OS%O&"
"LL : +\$% OS\$) O
"LLL : +\$S) %OS\$&SO
A 5HF5@ 8C BCHG75@9 8F5K B; G-9HG7 5@9 %%) %
@G @5HC F. @ D27C @ F. 6@57?
7CBH57H 7C DD9F 5@C M

DFC DF-9H5FMBC H9
H-G8C71A 98H7C8H58G8: CFA 5HC B
7CB: 898H5@588 DFCDF-9H5FMC
G5A H97ZB7 588 G-5@BCH69F90FC8I 7 98
CF H58G 9F98 1C CH: 9F BC71A 9BHGCF
847 @C 98H C CH: 9FGCF I 988 : CF 5BM
DI FDC 9C H: 9F H5B H5HK <-7< HK 5G
C 6H5898 K HEC I H: 9LDF 9G98 K F H98
7CB@98HC: G5A H97ZB7

89G7 F4HC B.
J 9FH7 5@A -B #DC K 9F 'GC 7 ? 9H
8K : "BC"
A DGLL!L"LL!LL!LIJ!LL
6M 6F5H7 <9F &#%#) #&\$S+ G<99H% C : &



BC HPG
 %'7 C BB97 HC F '9BJ 9@C D98-A 9BGC BG''C H 9F '7 CA DC B9BHG
 ...D@57 98 'C B 'D7 6 G<5 @5J C -8 'H-6'NC B9'
 &'5 @8-A 9BGC BG'5F9 GVA A 9F 7 '56C I HH:97 9B H9F @B9'
 ' '957 <: FCI D<C @8GC B9DC K 9F 'DB"
 ("BC H989@H98"

89G: B98 / '8-A 9BGC B98
 -B 'A @A 9DFG

DFC DF 9H5 FMBC H9
 H: 68C 71A 98H7 C B5 8G B: C FA 5HC B
 7 C B: 8 98H5 @5B8 DFC DF 9H5 FMBC
 G5A H97 Z B7 "5B8 G:5 @B C H69 F9DFC 81 7 98
 C F H58G 9F98 HC C H: 9F BC 71 A 98HGC F
 8 67 @G 98 HC C H: 9F GC F I 988 : CF 5BM
 D1 FDC 99C H: 9F H: 5B H: 5HK <7 - HK 5G
 C 685-B 98 K H: C I H: 9 9L DF 9098 K F H98
 7 C B98HC: G5A H97 Z B7 "



)&\$ D5F? '95GH6@ 82B9K '5@65BMZ-B (+)% \$
 D<C B9 , %& - ((! * + : 5L , %& - (, !) \$(+
 YIA UJ: }z: 4 G5A H97 'Wca WcXY.)' &&