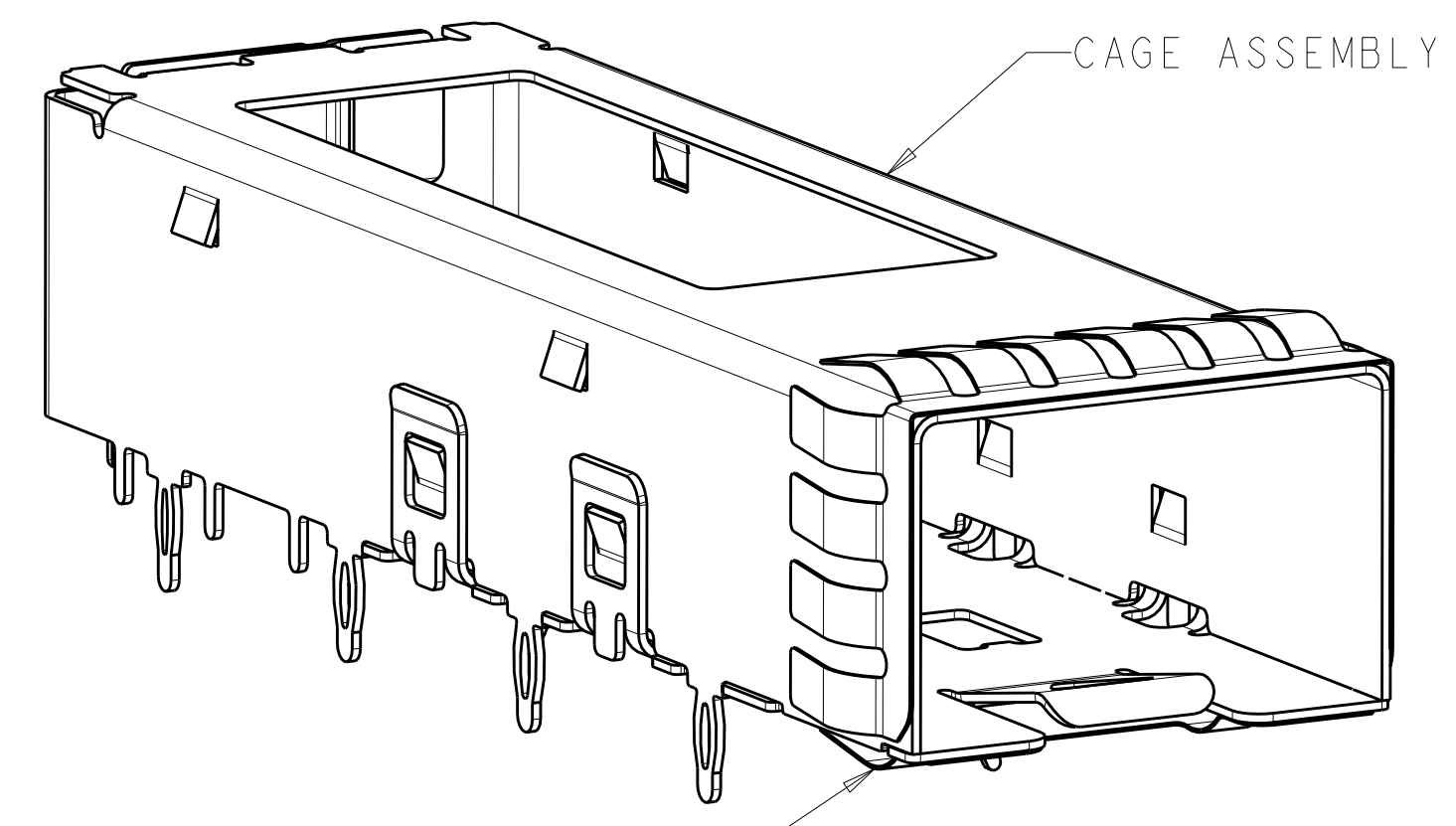
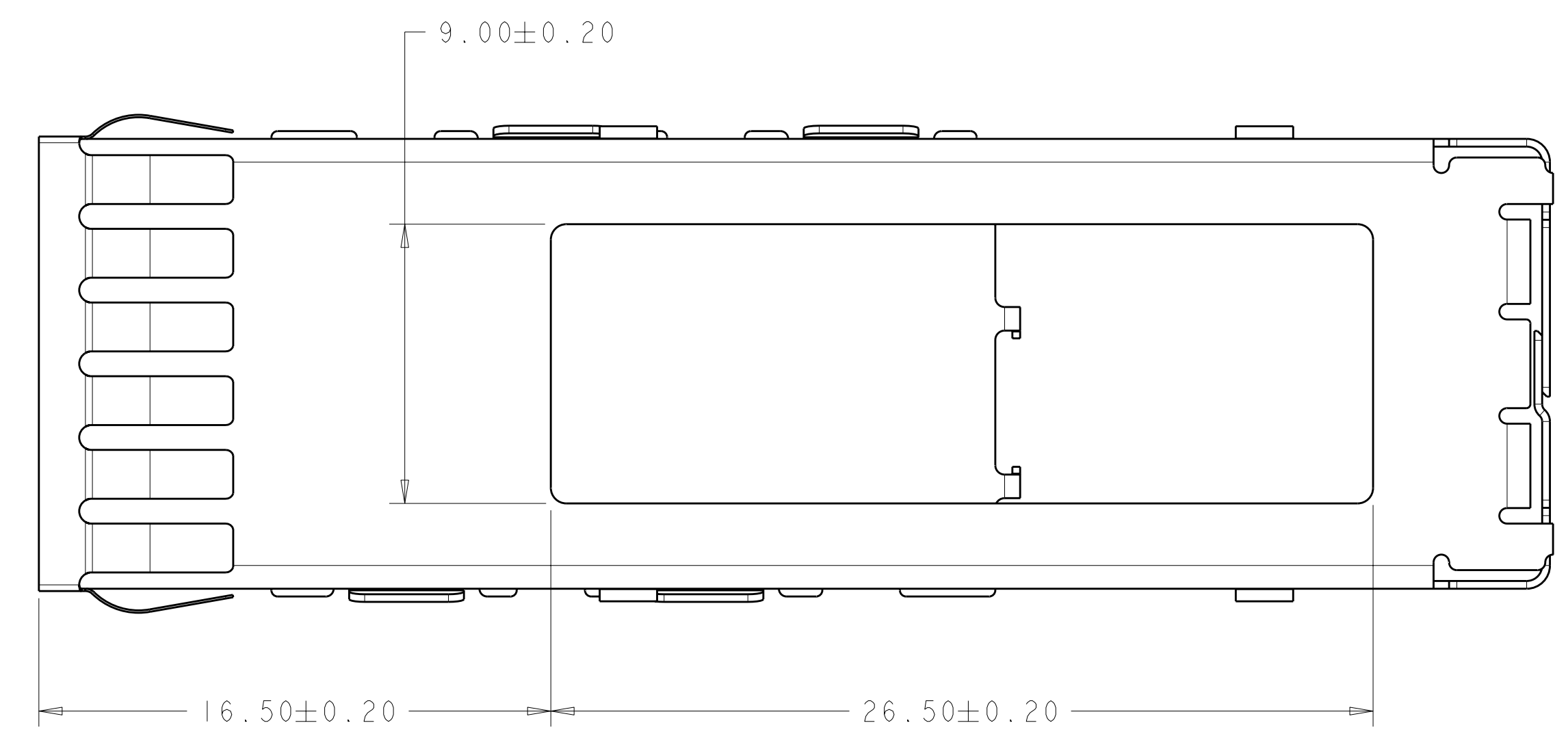


LOC	DIST	REVISIONS			
GP	00	REV	DATE	DWN	APVD
		A	RELEASED PER ECO-08-031044	15DEC2008	ZMR MRS

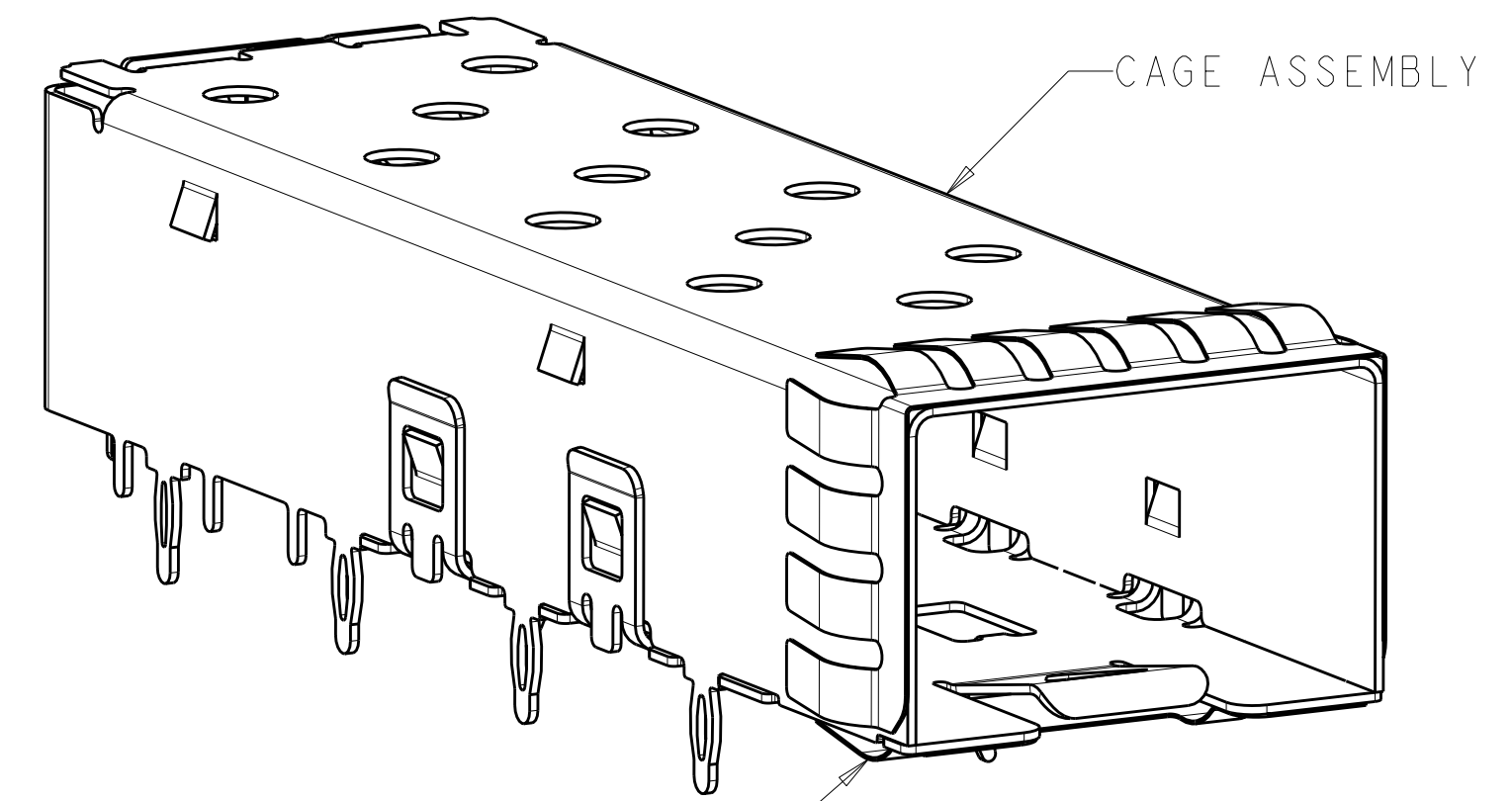


2007198-2
SCALE 5:1

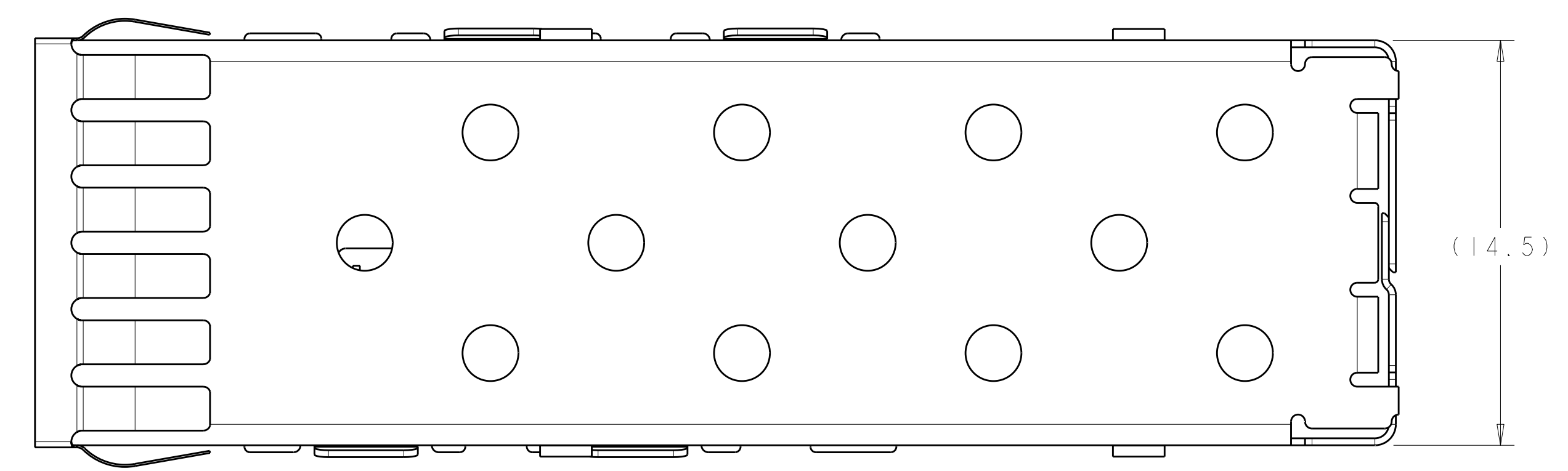


2007198-2
SAME AS 2007198-1 EXCEPT AS SHOWN
TOP VIEW

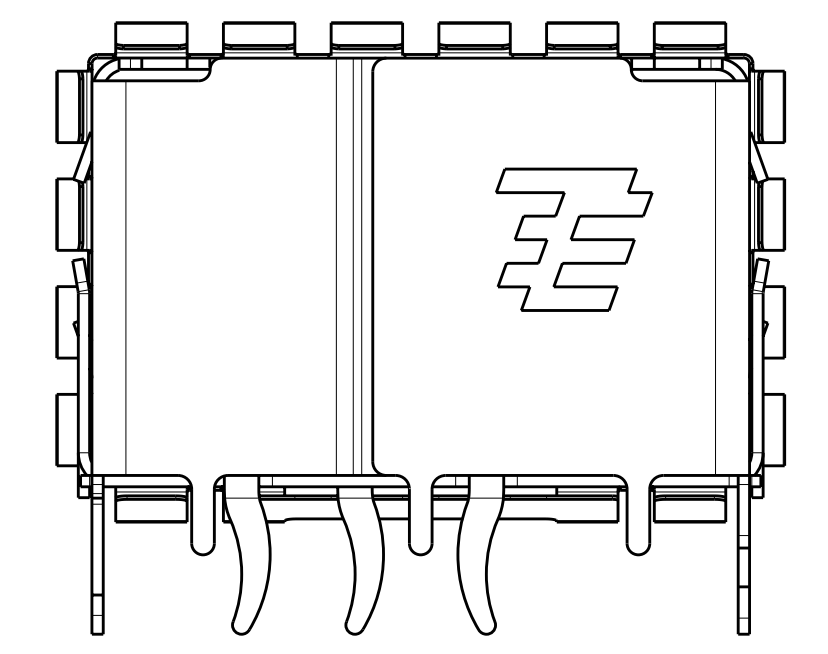
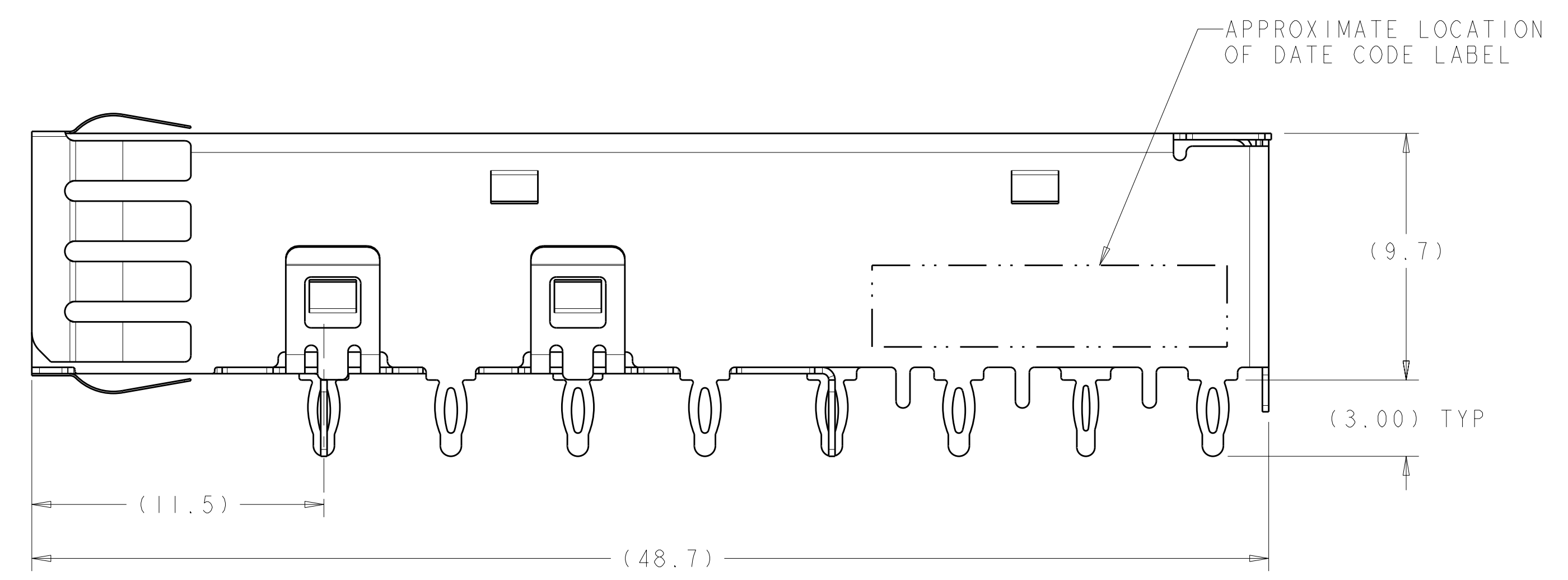
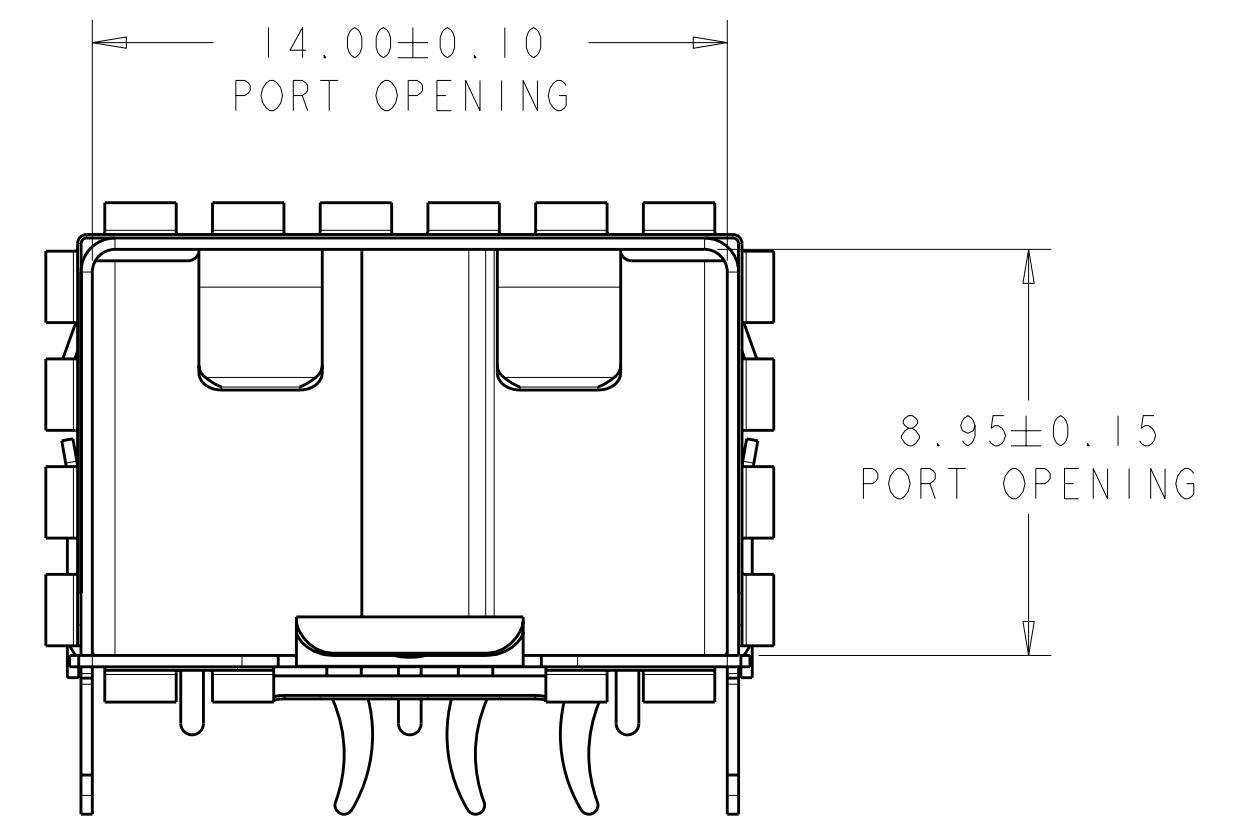
- 1 MATERIAL:
CAGE ASSEMBLY - 0.25mm THICK NICKEL SILVER ALLOY.
EMI SPRINGS - COPPER ALLOY.
- 2 FINISH
EMI SPRINGS - 0.8um MIN MATTE TIN OVER 0.8um MIN NICKEL,
NON-PLATED EDGES PERMISSIBLE.
- 3. MATES WITH SFP MSA COMPLIANT TRANSCEIVERS.
- 4 PADS AND VIAS CHASSIS GROUND.
- 5 DATUM AND BASIC DIMENSION ESTABLISHED BY CUSTOMER.
- 6. MINIMUM PC BOARD THICKNESS:
SINGLE SIDED = 1.50 mm
DOUBLE SIDED = 3.00 mm
- 7 REFERENCE APPLICATION SPEC. 114-13120, HOLE A, FOR
RECOMMENDED DRILL HOLE DIAMETER AND PLATING THICKNESS.
- 8 REFERENCE APPLICATION SPEC. 114-13120, HOLE C, FOR
RECOMMENDED DRILL HOLE DIAMETER AND PLATING THICKNESS.
- 9. PRODUCT HAS NOT COMPLETED QUALIFICATION TESTING.



2007198-1
SCALE 5:1



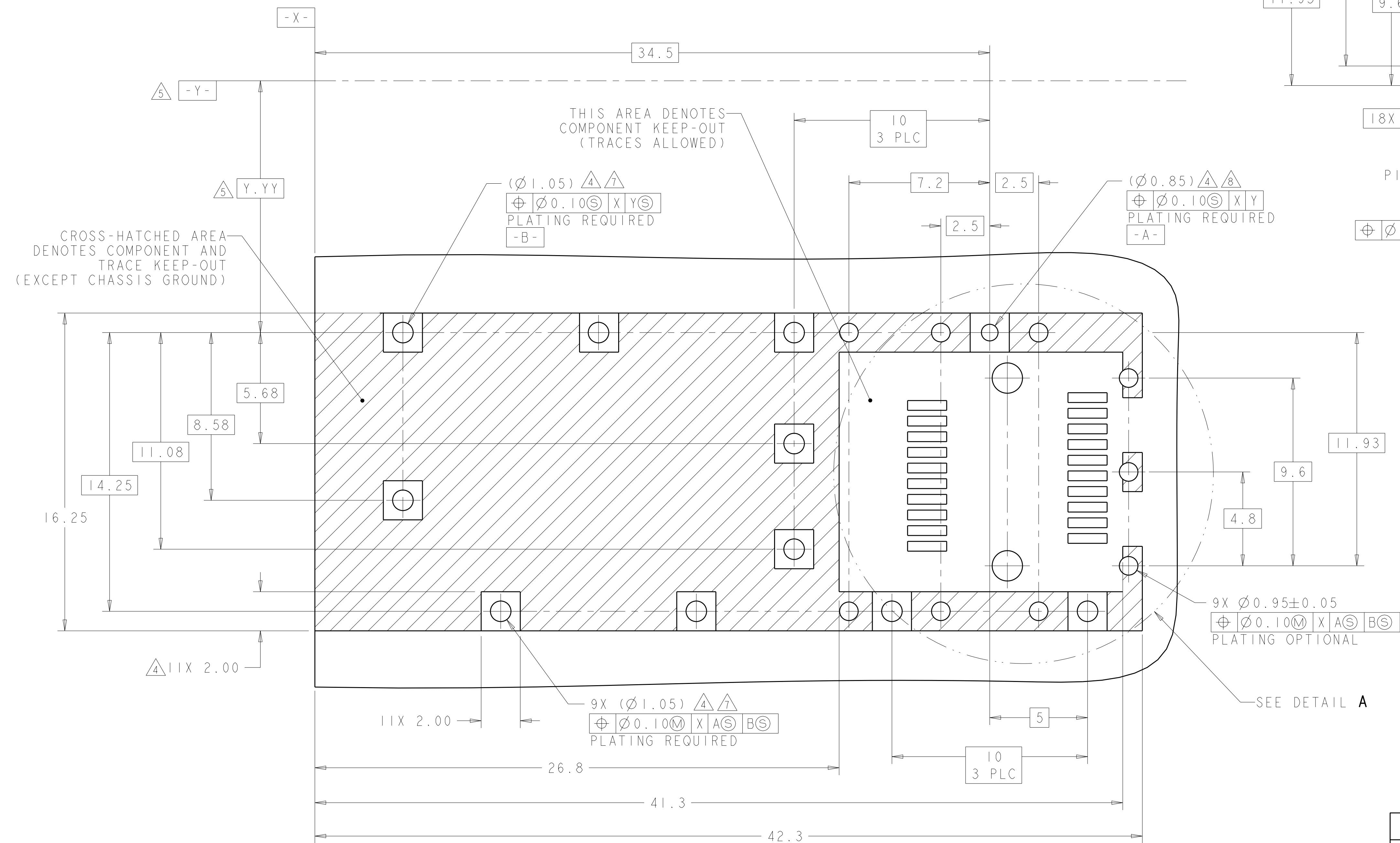
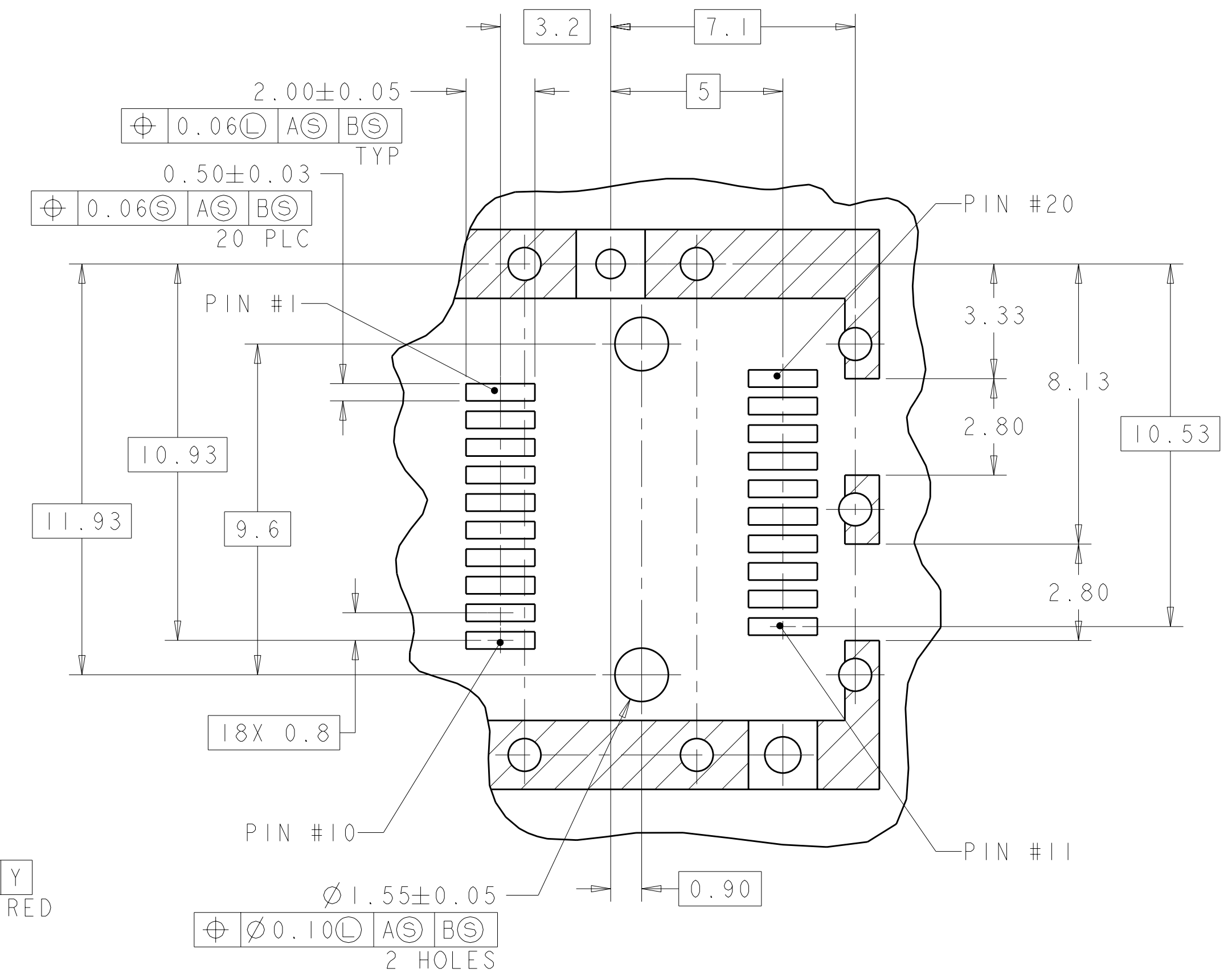
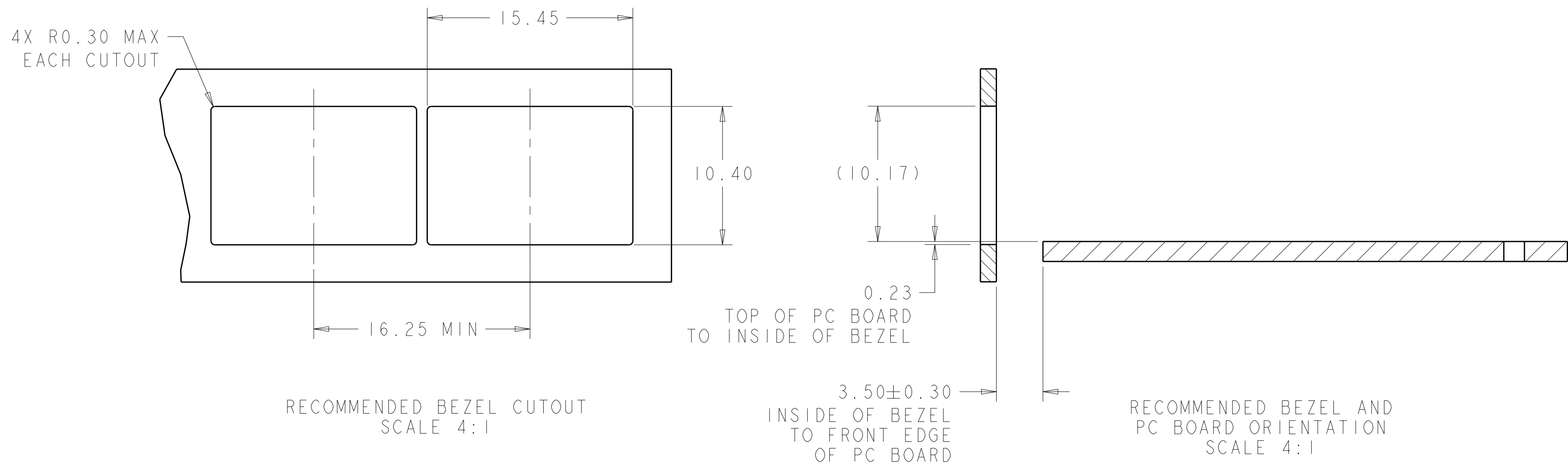
2007198-1
TOP VIEW



HEATSINK OPENING	2007198-2
EMI HOLES	2007198-1
DESCRIPTION	PART NUMBER

DIMENSIONS: mm		TOLERANCES UNLESS OTHERWISE SPECIFIED: 9 PLC ±0.1 1 PLC ±0.1 2 PLC ±0.1 3 PLC ±0.1 4 PLC ±0.05 ANGLES ±0.05		DWN M. SCHMITT 07JUN07 CHK M. SCHMITT 07JUN07 APVD B. WERTZ 07JUN07		Tyco Electronics Harrisburg, PA 17105-3608	
MATERIAL:		FINISH:		NAME: SFP+ IXI CAGE ASSEMBLY, PRESS FIT, EXTERNAL EMI SPRINGS		SIZE: CAGE CODE: DRAWING NO: A100779C=2007198	
CUSTOMER DRAWING		SCALE: 6:1		SHEET 1 OF 2		REV A	

LOC	DIST	REV	DATE	BY	APPD
GP	00				



DIMENSIONS:		TOLERANCES UNLESS OTHERWISE SPECIFIED:		MATERIAL:		FINISH:	
mm		9 PLC	±0.1				
		1 PLC	±0.1				
		2 PLC	±0.1				
		3 PLC	±0.1				
		4 PLC	±0.05				
		5 PLC	±0.05				
		ANGLES	±0.05				

DWN	M. SCHMITT	07JUN07	Tyco Electronics Harrisburg, PA 17105-3608
CHK	M. SCHMITT	07JUN07	
APVD	B. WERTZ	07JUN07	NAME SFP+ IXI CAGE ASSEMBLY, PRESS FIT, EXTERNAL EMI SPRINGS
PRODUCT SPEC	108-2364	APPLICATION SPEC	
SIZE	CAGE CODE	DRAWING NO	RESTRICTED TO
A	100779	C=2007198	
CUSTOMER DRAWING			SCALE 6:1 SHEET 2 OF 2 REV A