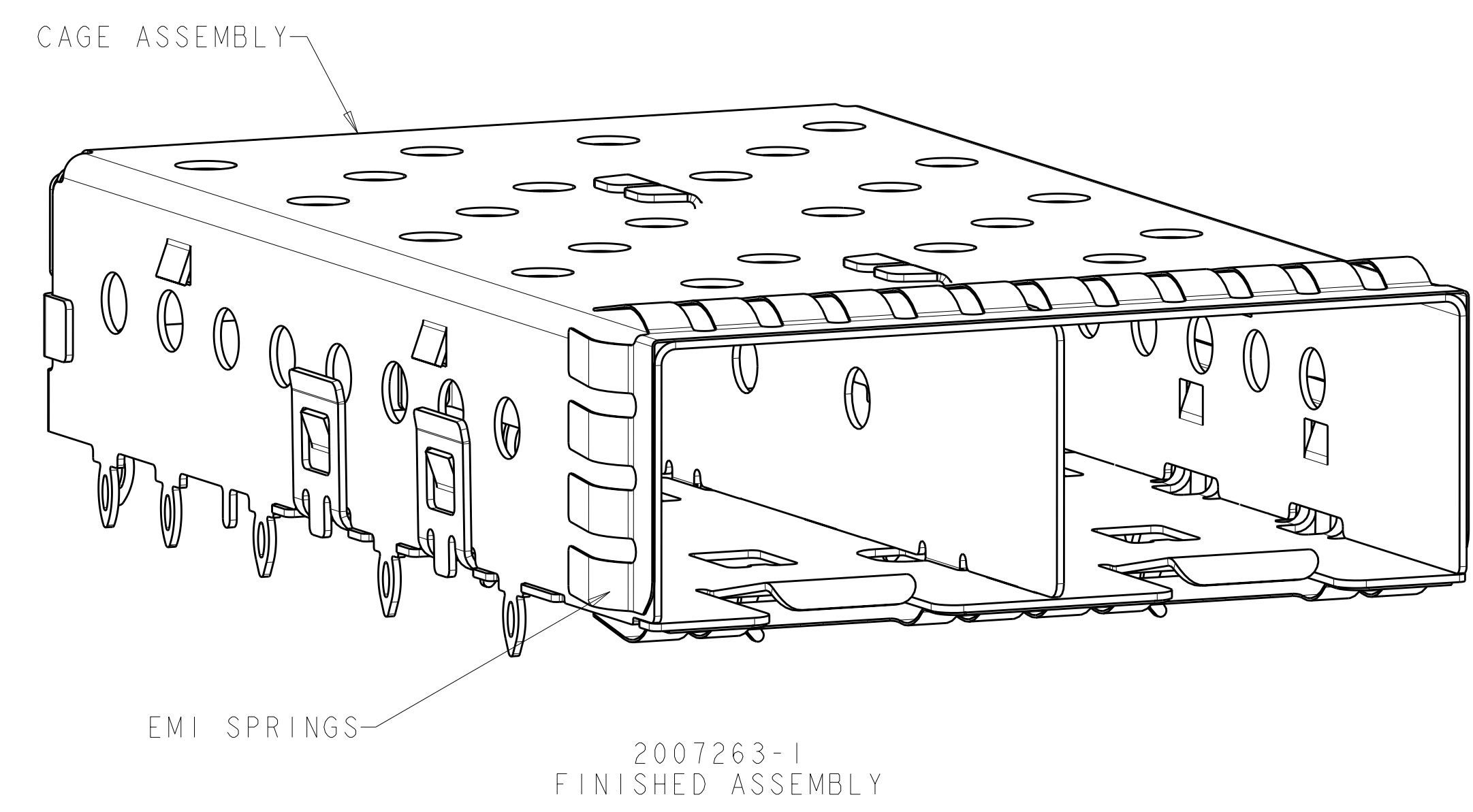
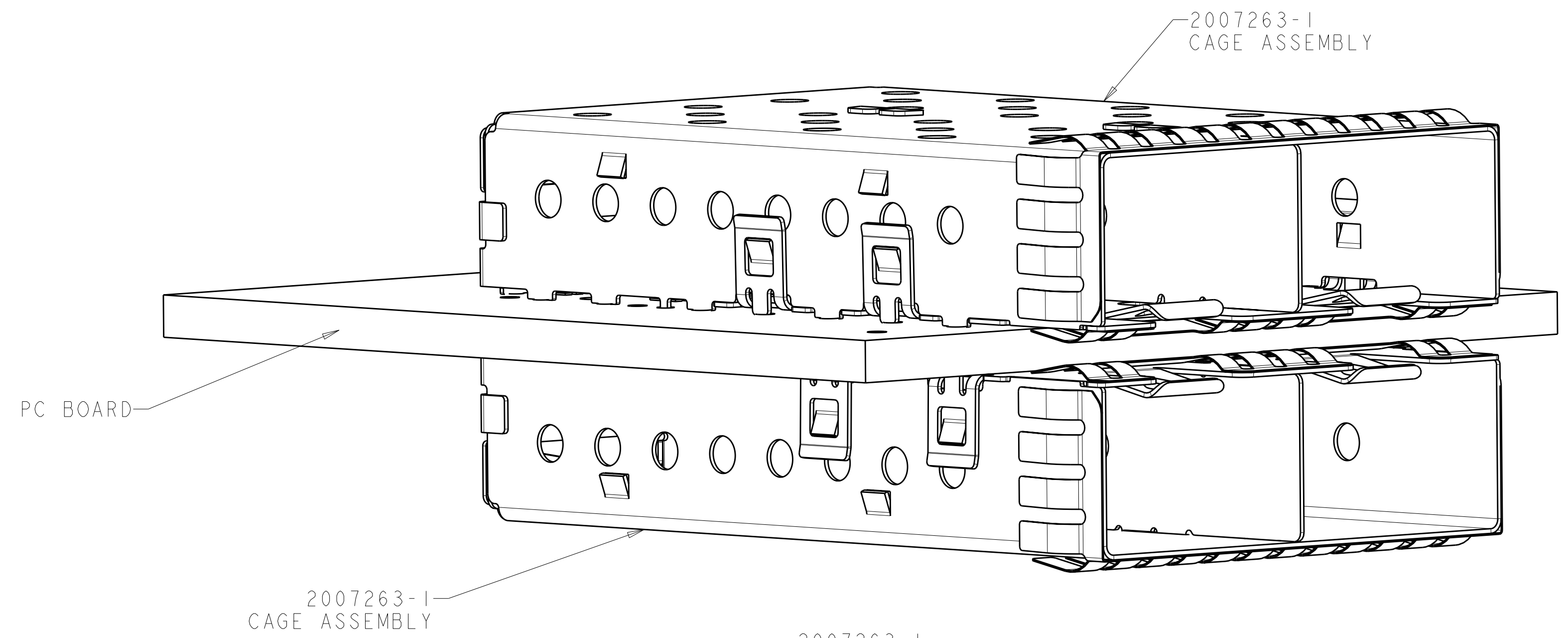
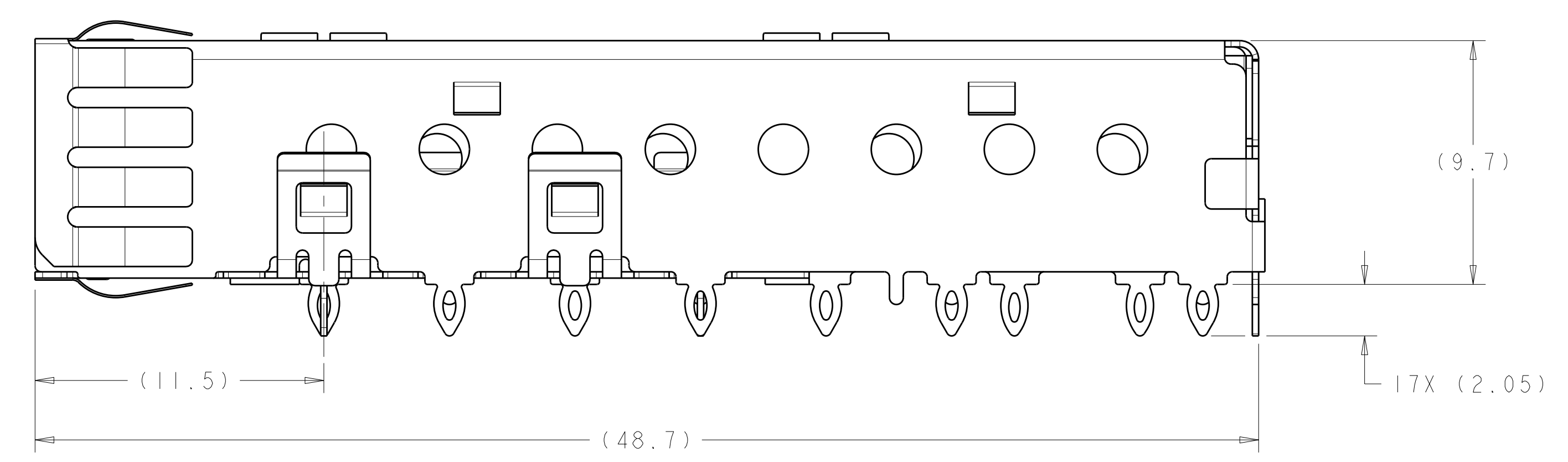
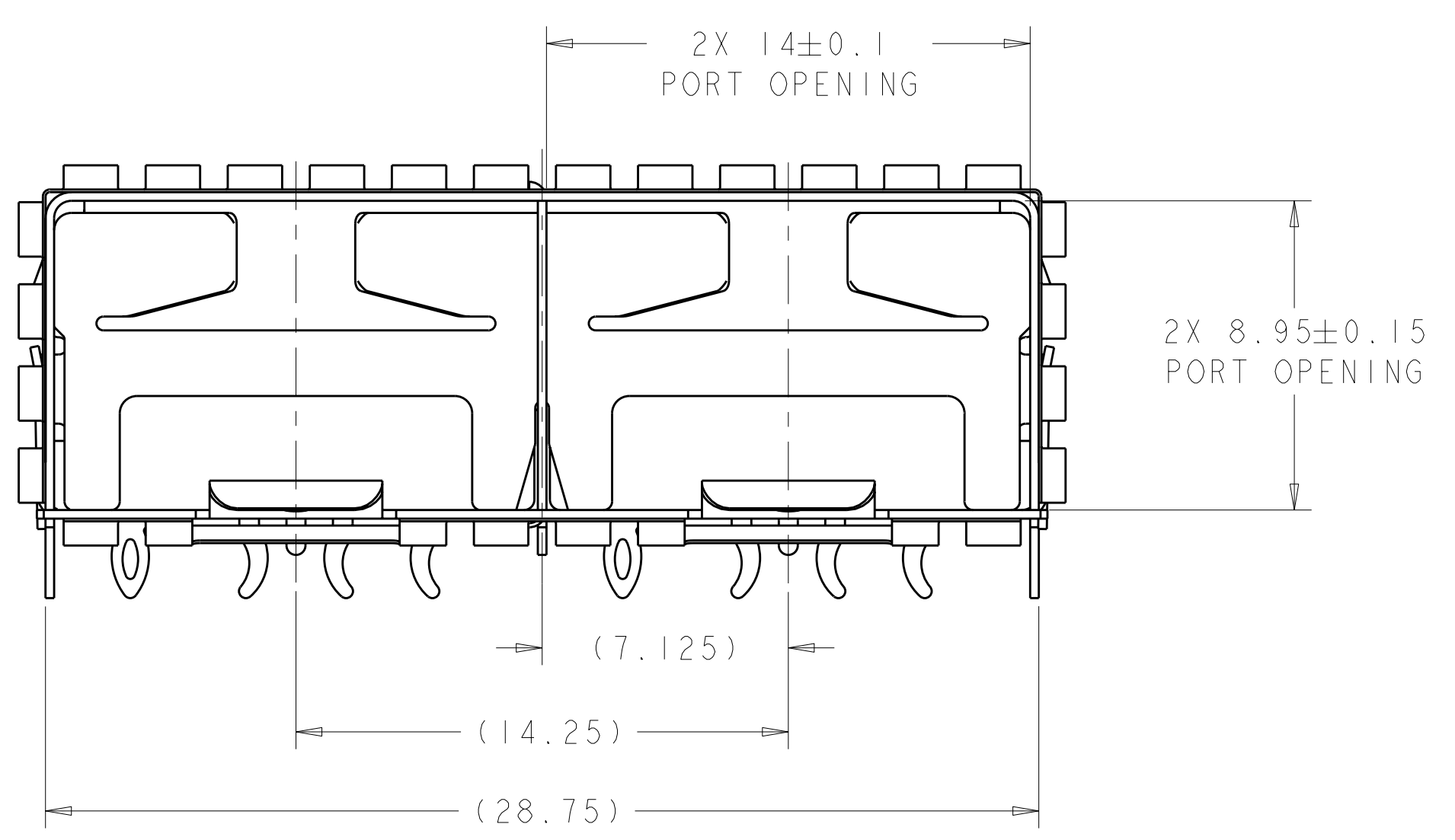


LOC	DIST	REVISIONS			
GP	00	REV	DATE	DWN	APVD
		A	RELEASED PER ECO-09-007387	26MAR2009	CR MS



- 1. MATERIAL: CAGE ASSEMBLY: 0.25mm THICK NICKEL SILVER ALLOY
EMI SPRINGS: COPPER ALLOY
- 2. FINISH:
SPRINGS - MINIMUM OF 0.8um MATTE TIN PLATED OVER A MINIMUM OF 0.8um NICKEL UNDERPLATE.
NON-PLATED EDGES PERMISSIBLE.
- 3. MATES WITH SFP MSA COMPLIANT TRANSCEIVERS.
- 4. PADS AND VIAS CHASSIS GROUND.
- 5. INTERPRETATION OF DATUM REFERENCE FRAME IN ACCORDANCE WITH SECT 4.4.1.1 OF ASME Y14.5M-1994.
- 6. MINIMUM PC BOARD THICKNESS:
SINGLE SIDED = 1.50
DOUBLE SIDED = 2.25
- 7. HOLE PATTERN REPEATS FOR EACH PORT, SPACING BETWEEN PORTS IS 14.25mm.
- 8. DATUM AND BASIC DIMENSION ESTABLISHED BY CUSTOMER.
- 9. REFERENCE APPLICATION SPEC. 114-13120, HOLE A, FOR RECOMMENDED DRILL HOLE DIAMETER AND PLATING THICKNESS.
- 10. REFERENCE APPLICATION SPEC. 114-13120, HOLE B, FOR RECOMMENDED DRILL HOLE DIAMETER AND PLATING THICKNESS.
- 11. CERTAIN MATING TRANSCEIVERS MAY REQUIRE ADDITIONAL PCB THICKNESS THAT WOULD NEED TO BE DETERMINED BY THE CUSTOMER.
- 12. PRODUCT HAS NOT COMPLETED QUALIFICATION TESTING.



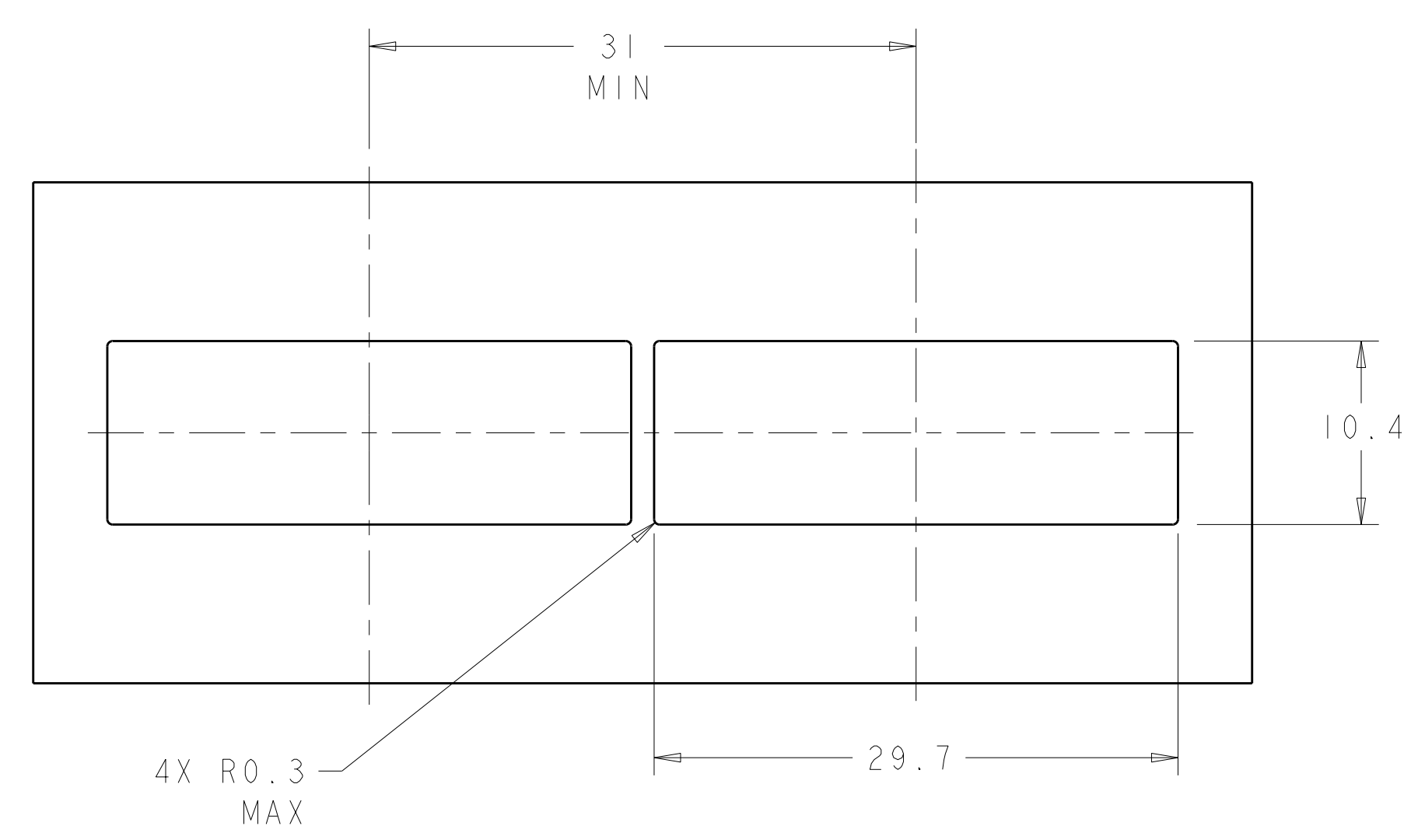
2007263-1
MOUNTED BELLY TO BELLY ON PC BOARD
SCALE 5:1

2007263-1
PART NUMBER

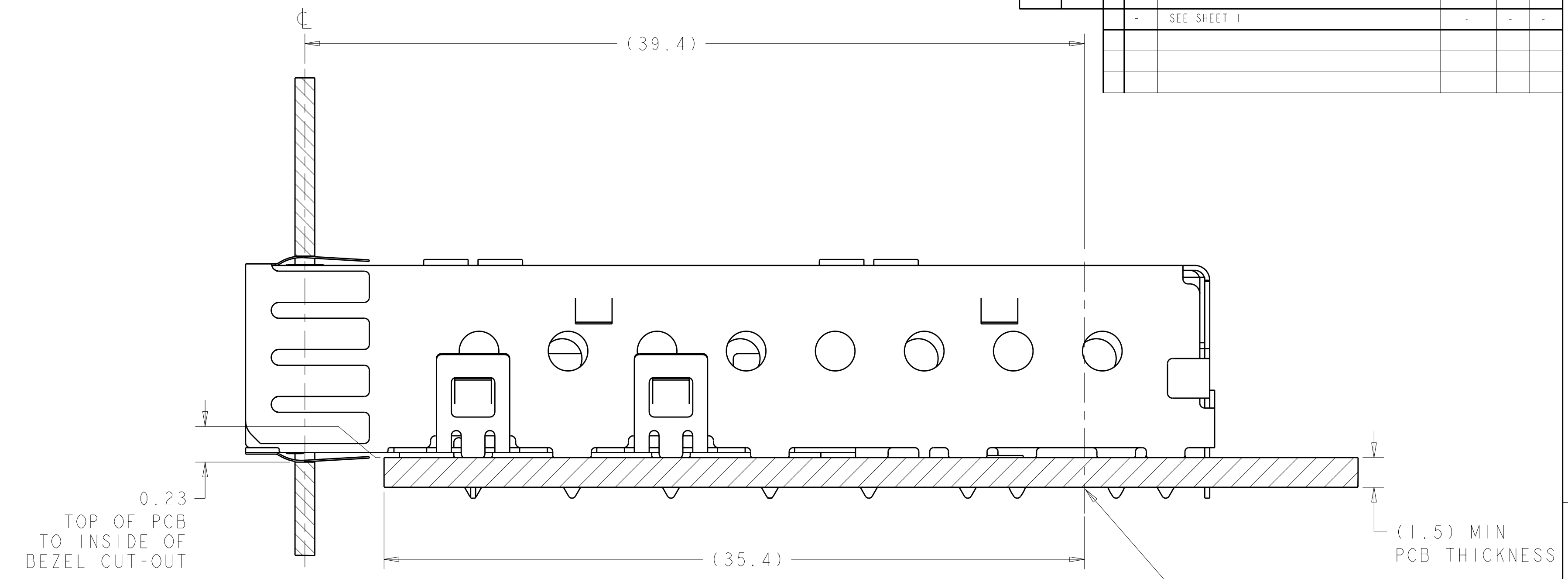
DIMENSIONS: mm 		TOLERANCES UNLESS OTHERWISE SPECIFIED: 9 PLC ±0.1 1 PLC ±0.1 2 PLC ±0.1 3 PLC ±0.1 4 PLC ±0.1 ANGLES ±1°		DWN M. SCHMITT 17JUL2007 CHK M. SCHMITT 17JUL2007 APVD B. WERTZ 17JUL2007		Tyco Electronics Harrisburg, PA 17105-3608	
MATERIAL:		FINISH:		PRODUCT SPEC: 108-2364 APPLICATION SPEC: 114-13120		NAME: SFP+ 1X2 CAGE ASSEMBLY PRESS FIT, EXTERNAL EMI SPRINGS	
CUSTOMER DRAWING		WEIGHT: -		SIZE: A 00779 C=2007263		RESTRICTED TO: -	
SCALE: 6:1		SHEET: 1 OF 4		REV: A		Tyco Electronics logo	

LOC	DIST	REV	DATE	BY	APPD
GP	00				

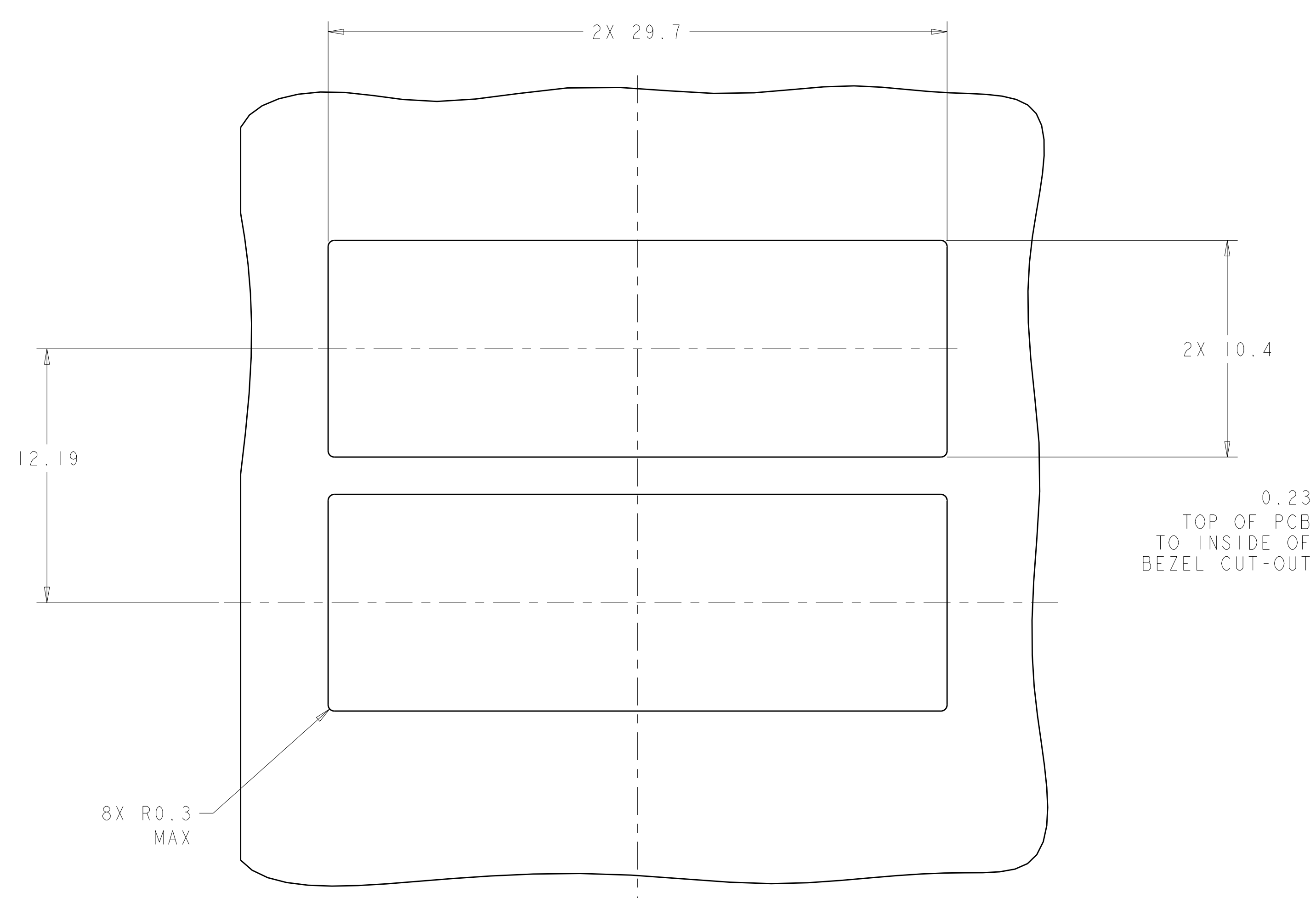
REV	DATE	DESCRIPTION	BY	APPD
-	-	SEE SHEET 1	-	-



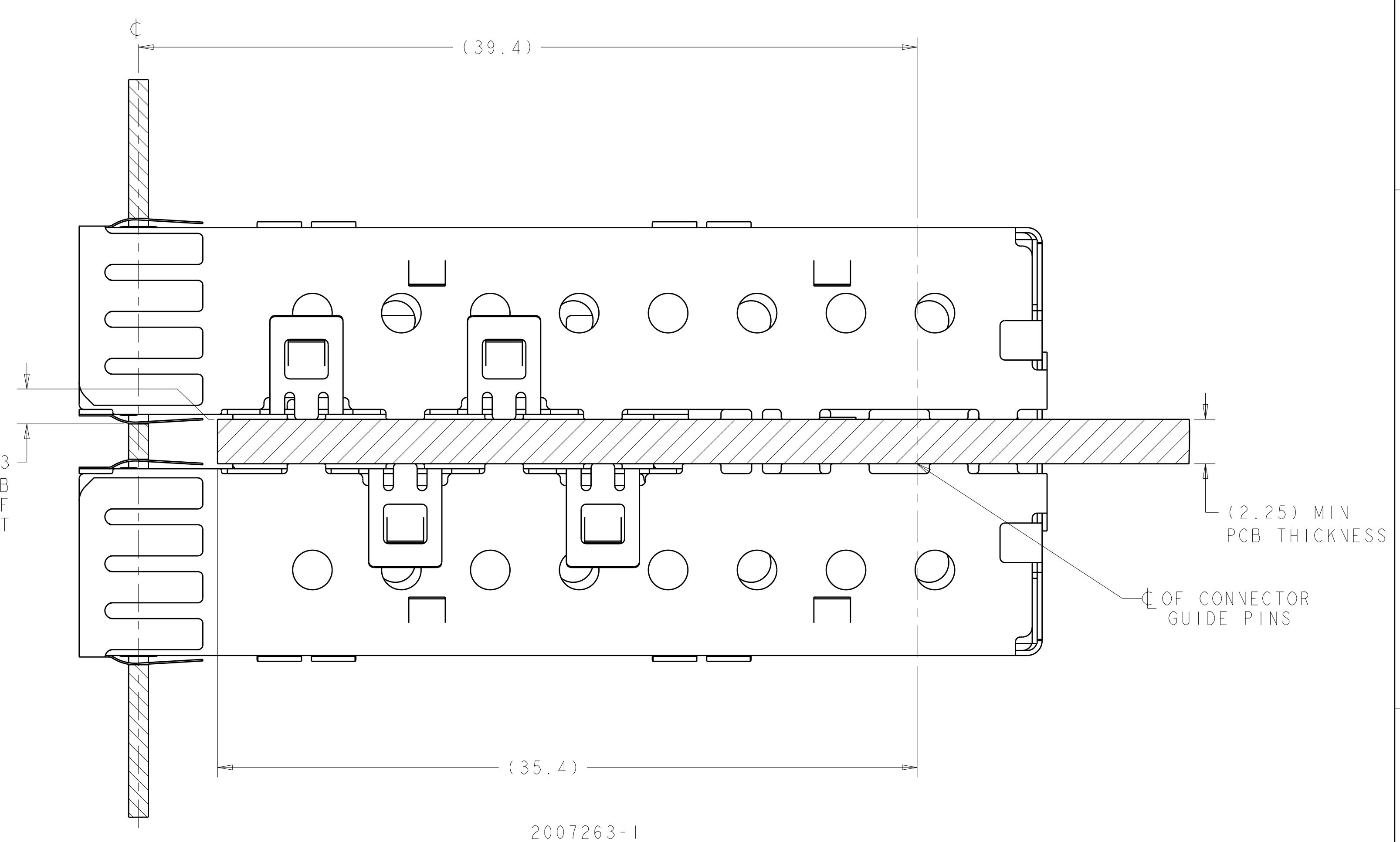
RECOMMENDED BEZEL CUT-OUT
 SINGLE SIDED APPLICATIONS
 SCALE 3:1



2007263-1
 MOUNTED ON PC BOARD
 SHOWN THRU RECOMMENDED BEZEL



RECOMMENDED BEZEL CUT-OUT
 BELLY TO BELLY APPLICATIONS

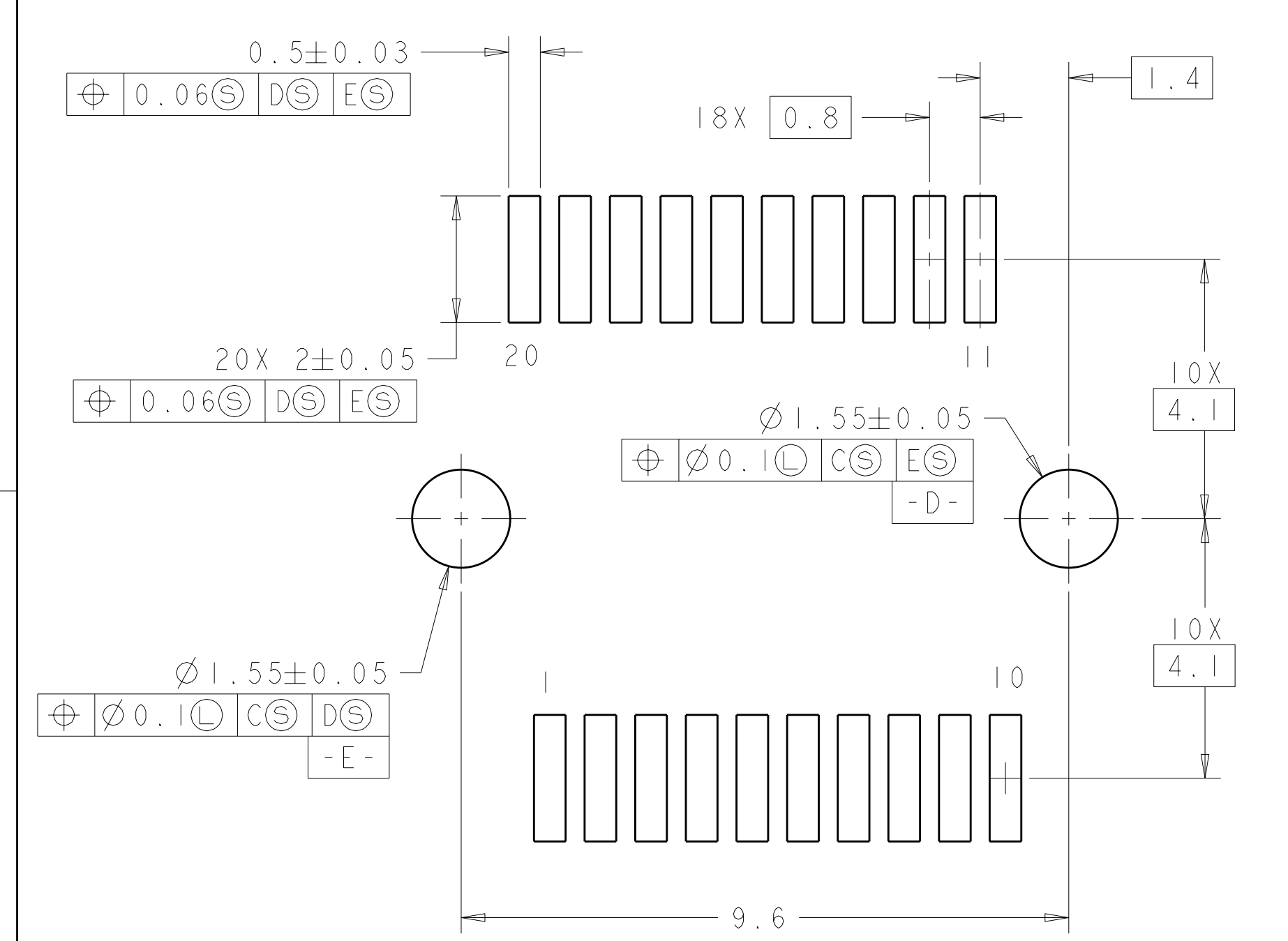
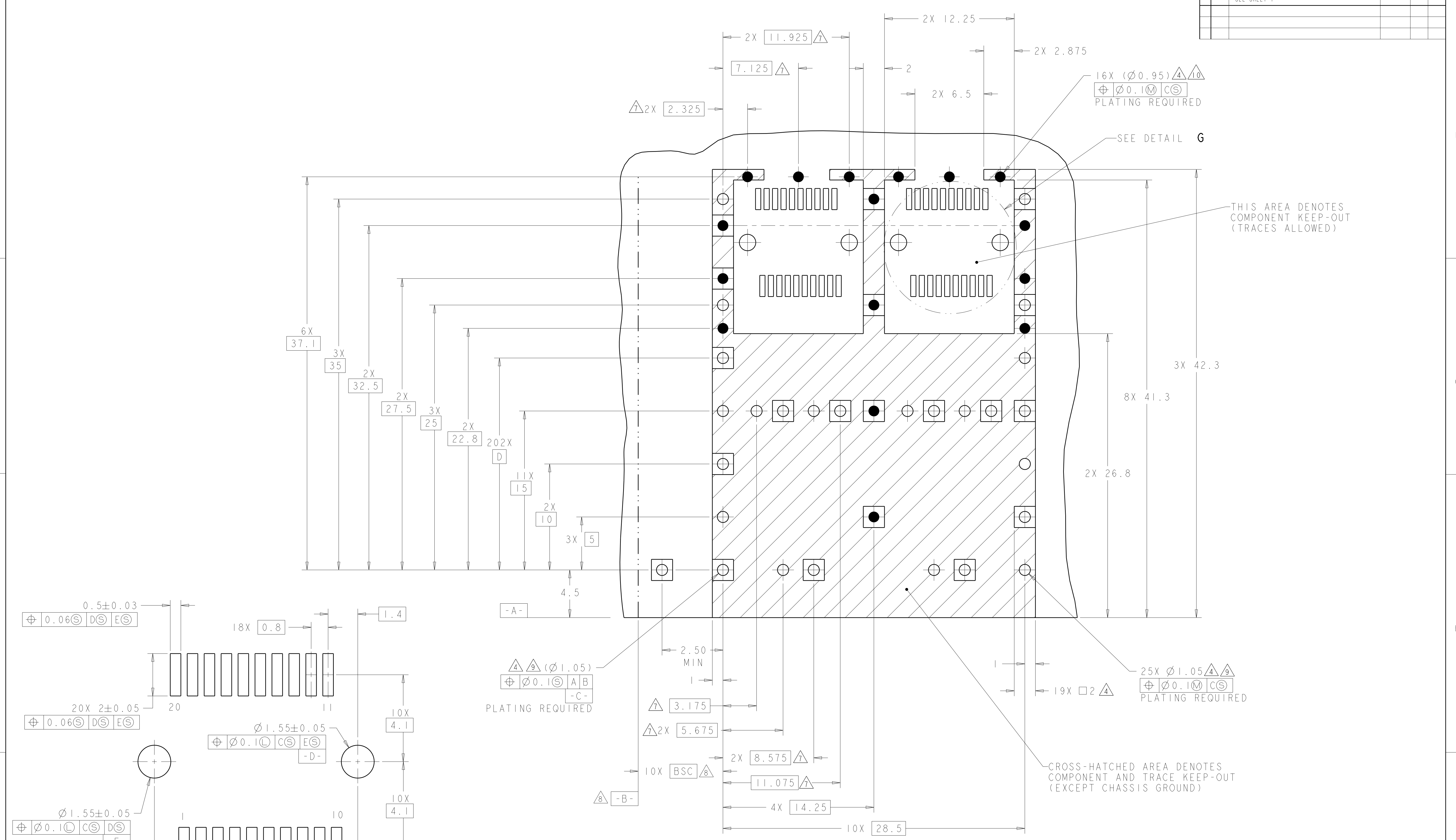


2007263-1
 MOUNTED BELLY TO BELLY ON PC BOARD
 SHOWN THRU RECOMMENDED BEZEL

DIMENSIONS: mm 		TOLERANCES UNLESS OTHERWISE SPECIFIED: 9 PLC ±0.1 7 PLC ±0.1 5 PLC ±0.1 4 PLC ±0.1 ANGLES ±1°		DWN M. SCHMITT 17JUL2007 CHK M. SCHMITT 17JUL2007 APVD B. WERTZ 17JUL2007		Tyco Electronics Harrisburg, PA 17105-3608	
MATERIAL: - FINISH: -		PRODUCT SPEC: 108-2364 APPLICATION SPEC: 114-13120		NAME: SFP+ 1X2 CAGE ASSEMBLY PRESS FIT, EXTERNAL EMI SPRINGS		SIZE: A1 CAGE CODE: 00779 DRAWING NO: C=2007263	
CUSTOMER DRAWING		WEIGHT: -		SCALE: 6:1		SHEET: 2 OF 4 REV: A	

LOC	DIST	REV	DATE	BY	APPD
GP	00				

REVISIONS		DATE	BY	APPD
1	SEE SHEET 1			



DETAIL G
 RECOMMENDED PT CONNECTOR LAYOUT
 4X INDIVIDUALLY
 SCALE 12:1

RECOMMENDED PCB CONFIGURATION
 WITH KEEP-OUT AREAS
 BELLY TO BELLY APPLICATIONS

DIMENSIONS:		TOLERANCES UNLESS OTHERWISE SPECIFIED:		DWN M. SCHMITT 17JUL2007		Tyco Electronics Harrisburg, PA 17105-3608	
mm		9 PLC ±0.1		CHK M. SCHMITT 17JUL2007		NAME SFP+ 1X2 CAGE ASSEMBLY	
Ø		1 PLC ±0.1		APPD B. WERTZ 17JUL2007		PRODUCT SPEC 108-2364	
Ø		5 PLC ±0.1		PRODUCT SPEC 108-2364		APPLICATION SPEC	
Ø		4 PLC ±0.1		APPLICATION SPEC		SIZE CAGE CODE DRAWING NO RESTRICTED TO	
Ø		ANGLES ±0.1		114-13120		A 00779 C=2007263	
MATERIAL		FINISH		WEIGHT		SCALE 6:1 SHEET 4 OF 4 REV A	
CUSTOMER DRAWING							