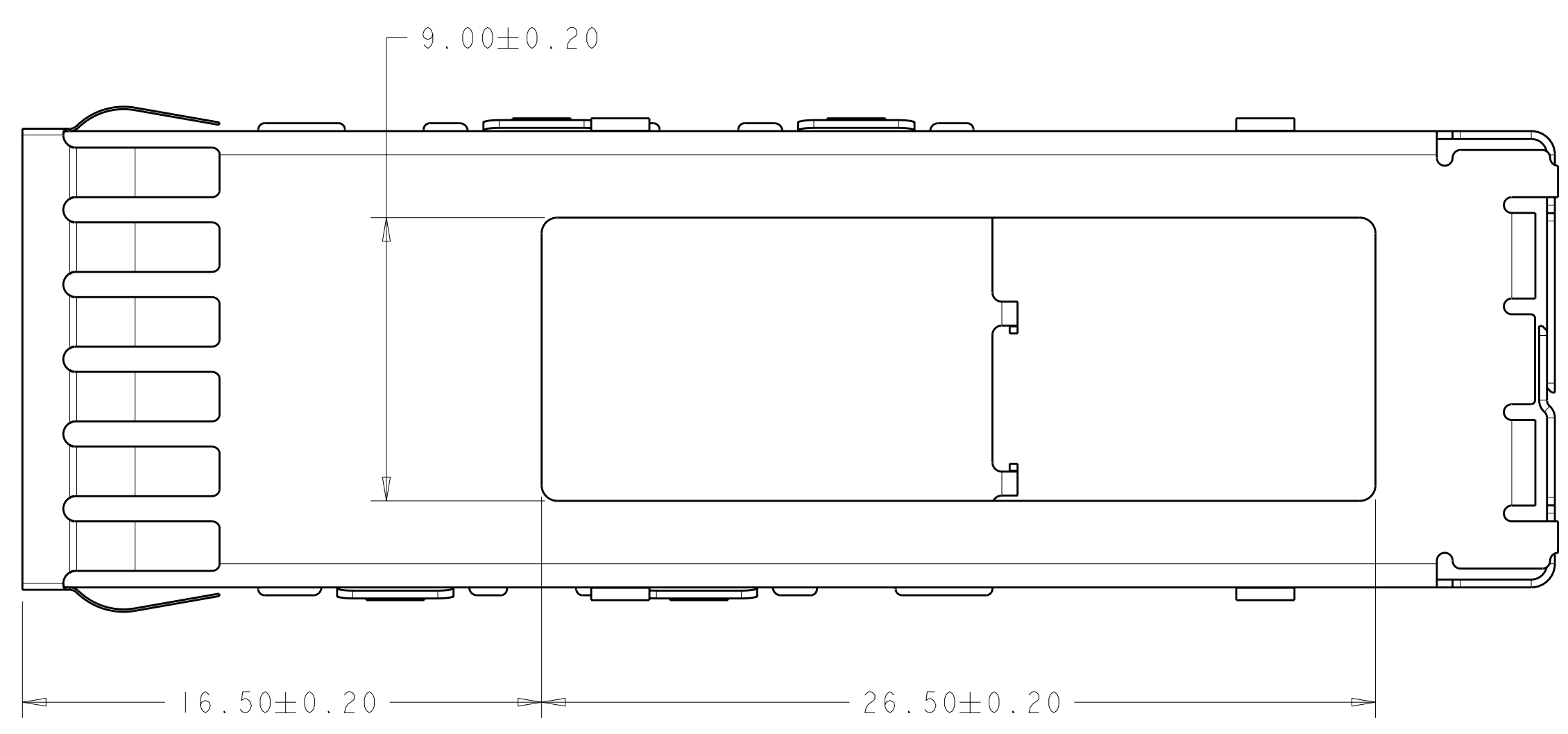
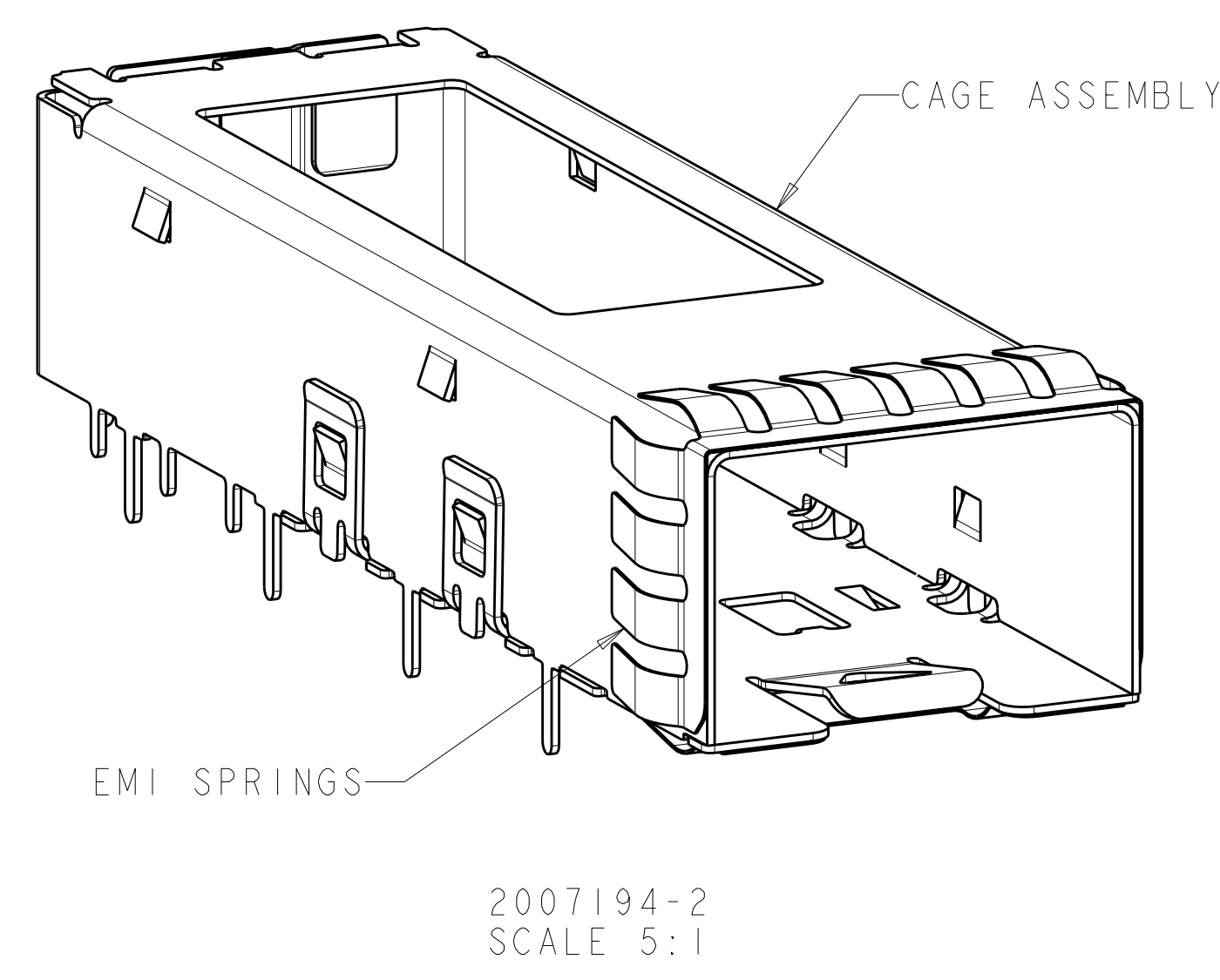
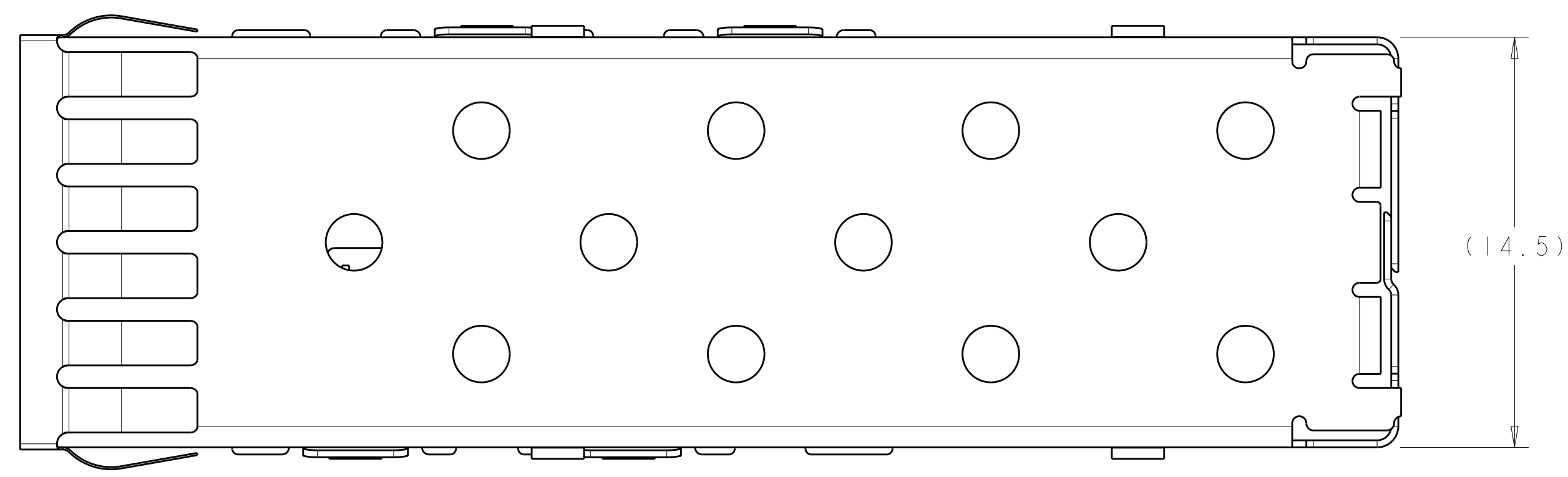
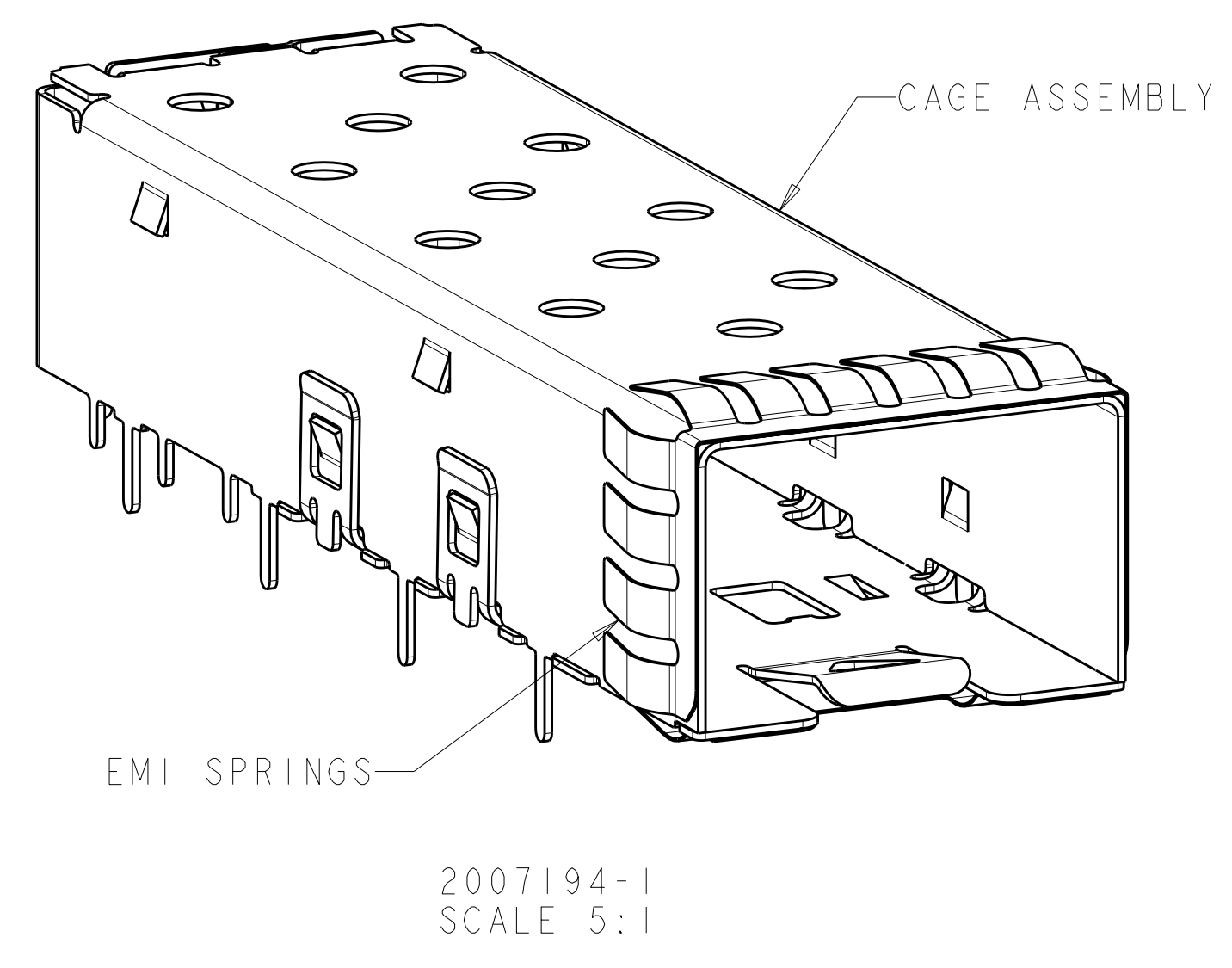


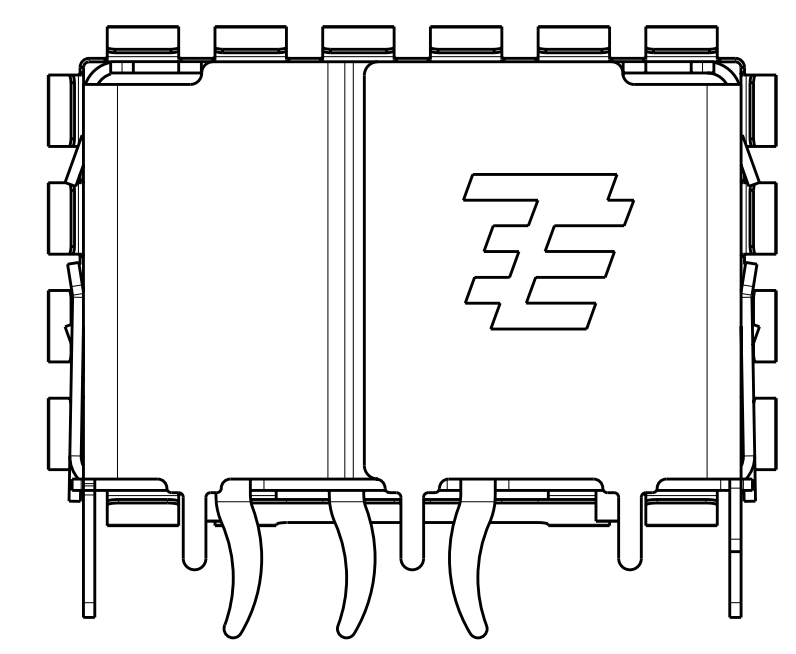
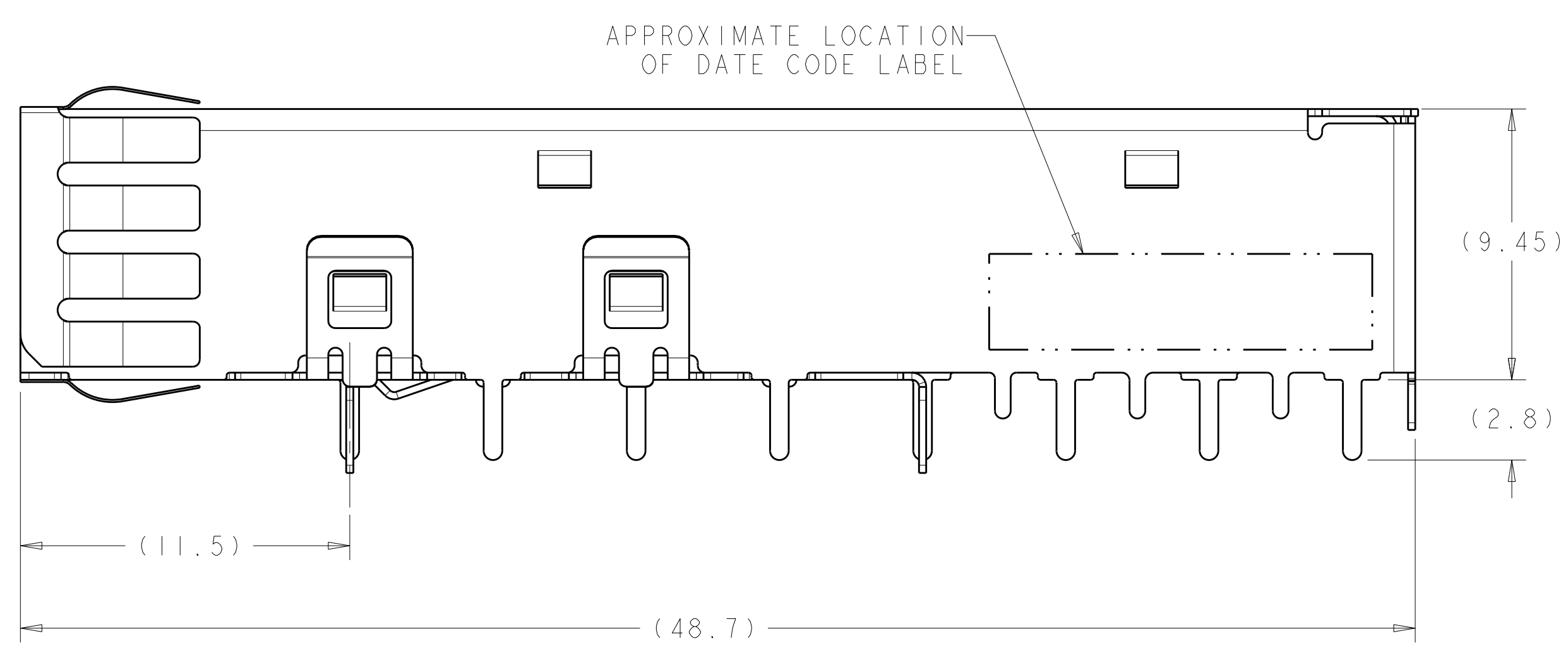
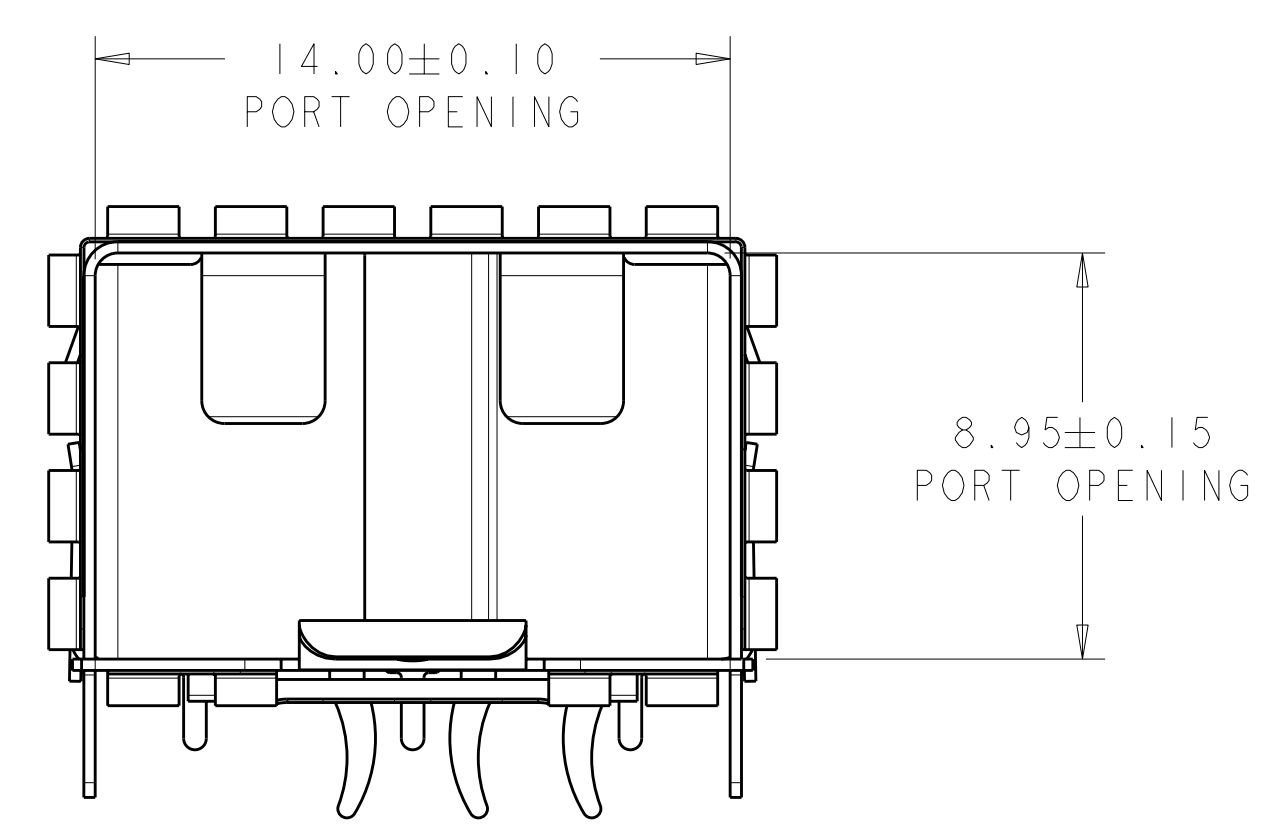
LOC	DIST	REVISIONS			
GP	00	REV	DATE	BY	APPD
		A	10FEB2009	ZMR	MRS
		B	17MAR2009	CR	MS



2007194-2
SAME AS 2007194-1 EXCEPT AS SHOWN
TOP VIEW



2007194-1
TOP VIEW

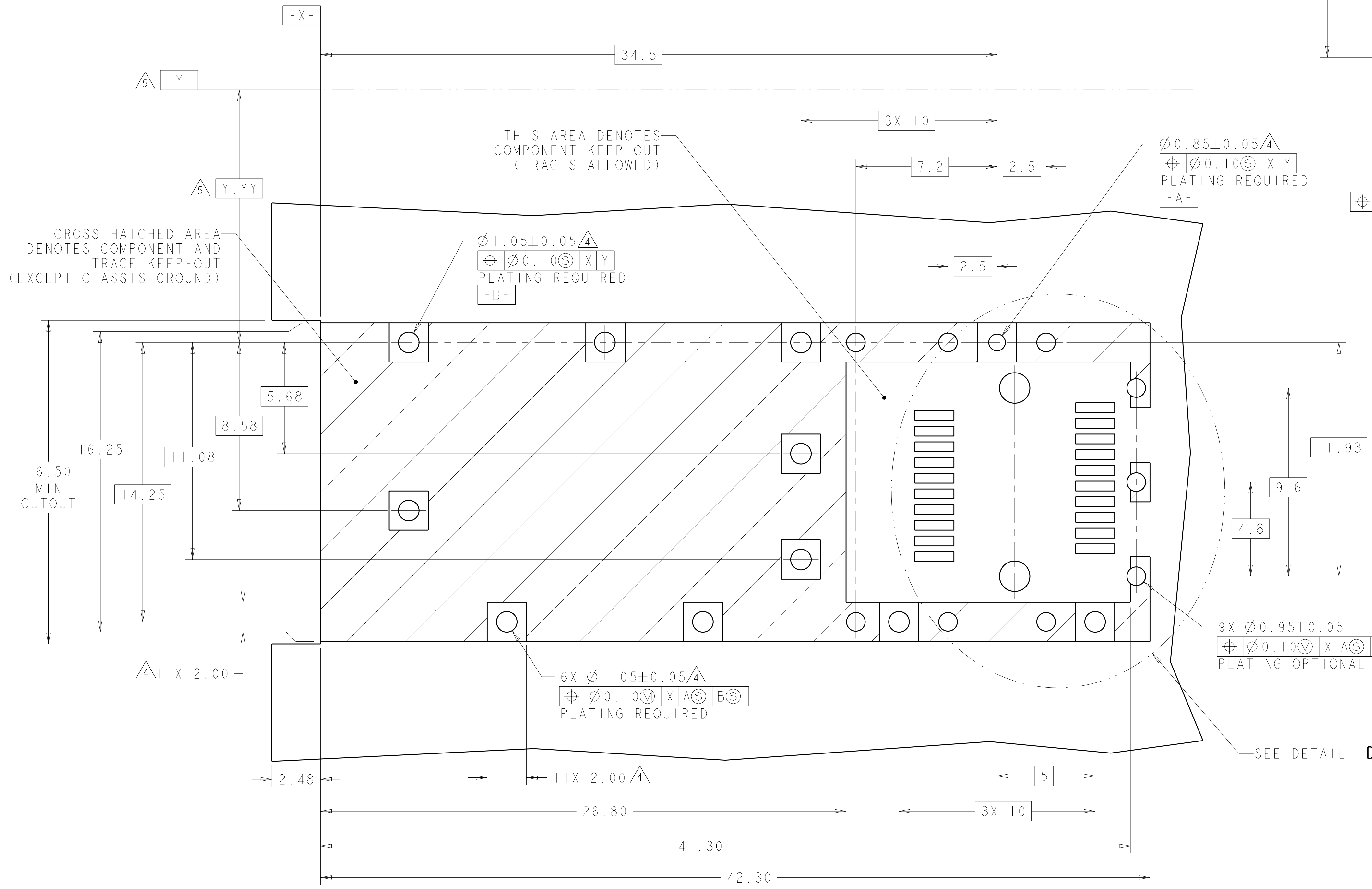
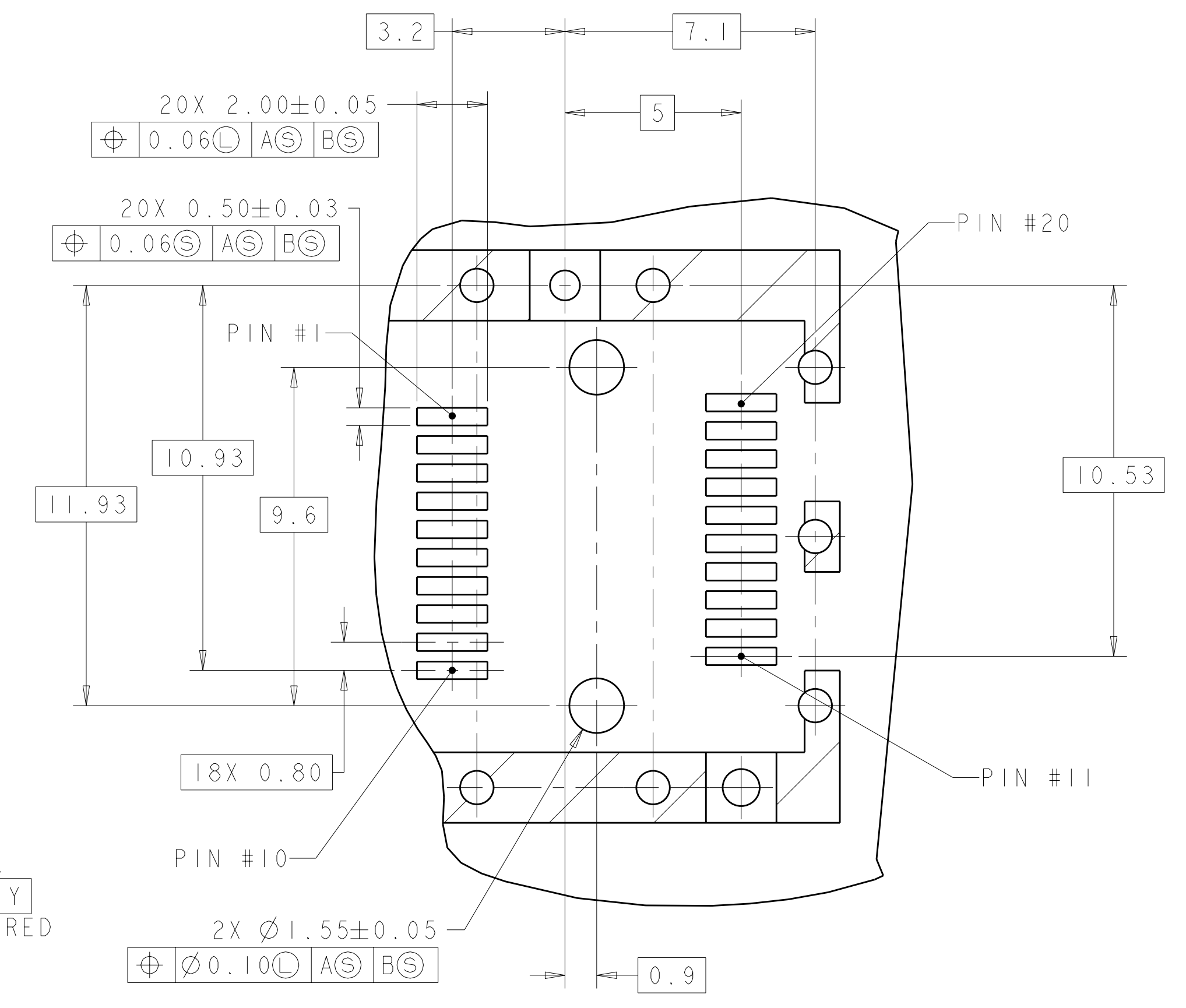
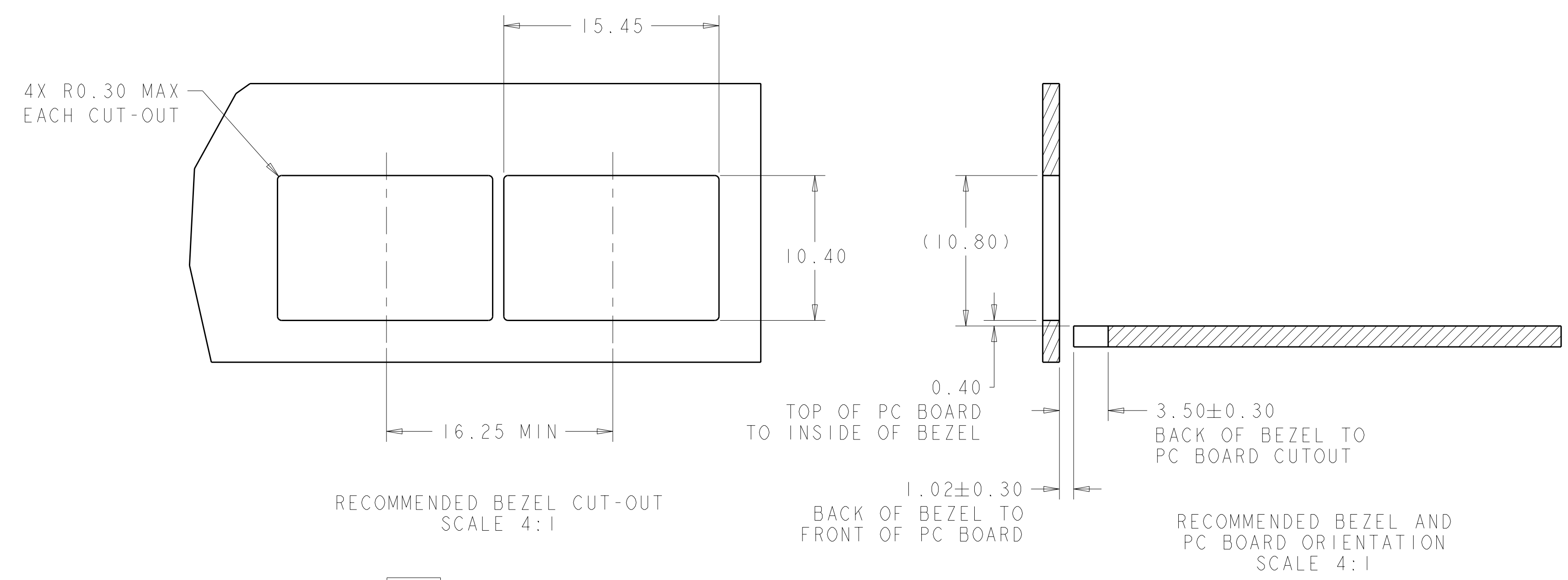


HEATSINK OPENING	2007194-2
EMI HOLES	2007194-1
DESCRIPTION	PART NUMBER

- 1 MATERIAL:
CAGE ASSEMBLY - 0.25mm THICK NICKEL-SILVER ALLOY.
EMI SPRINGS - COPPER ALLOY.
- 2 FINISH:
EMI SPRINGS - 0.8µm MIN MATTE TIN OVER 0.8µm MIN NICKEL
NON PLATED EDGES PERMISSIBLE.
3. MATES WITH SFP MSA COMPLIANT TRANSCEIVERS.
- 4 PADS AND VIAS CHASSIS GROUND.
- 5 DATUMS AND BASIC DIMENSIONS ESTABLISHED BY CUSTOMER.
6. MINIMUM PC BOARD THICKNESS:
SINGLE SIDED = 1.50mm.
7. PRODUCT HAS NOT COMPLETED QUALIFICATION TESTING.

DIMENSIONS: mm 		TOLERANCES UNLESS OTHERWISE SPECIFIED: 9 PLC ±0.1 1 PLC ±0.1 3 PLC ±0.1 5 PLC ±0.05 4 PLC ±0.05 ANGLES ±0.05		DWN Z.M.BEAM 10JUL2007 CHK M.R.SCHMITT 10JUL2007 APVD R.H.WERTZ 10JUL2007		Tyco Electronics Harrisburg, PA 17105-3608	
MATERIAL 		FINISH 		PRODUCT SPEC 108-2364		NAME SFP+ 1X1 CAGE ASSEMBLY, PCI, SOLDER TAILS, EXTERNAL EMI SPRINGS	
CUSTOMER DRAWING		WEIGHT 114-13120		SIZE CAGE CODE DRAWING NO A100779C=2007194		RESTRICTED TO SCALE 6:1 SHEET 1 OF 2 REV B	

LOC	DIST	REV	DATE	BY	APPD
GP	00				



DIMENSIONS:		TOLERANCES UNLESS OTHERWISE SPECIFIED:		DRAWN		Tyco Electronics	
mm	9 PLC ± 0.1	PLC ± 0.1	PLC ± 0.1	PLC ± 0.1	PLC ± 0.1	PLC ± 0.1	PLC ± 0.1
	4 PLC ± 0.05	ANGLES ± 0.05					
MATERIAL	FINISH	WEIGHT	SCALE	6:1	SHEET	2 OF 2	REV B