

SMA ATTENUATORS

18 AND 23 GHz 2 WATTS

SPECIFICATIONS:

Electrical:

Frequency Range _____ DC - 23.0 GHz

Standard Freq. Values _____ 18 & 23 GHz

Standard dB Values _____ 0-10, 12, 15, 20 & 30 dB
In 1 dB Increments

Attenuation Accuracy:	DC-18 GHz	18-23 GHz
1dB _____	±0.3 dB _____	±0.5 dB _____
0, and 2 - 6 dB _____	±0.3 dB _____	±0.4 dB _____
7 - 20 dB _____	±0.5 dB _____	±0.6 dB _____
21 - 30 dB _____	±0.75 dB _____	±0.8 dB _____

VSWR:

@ 30 MHz _____ 1.05:1 Max.

DC - 4 GHz _____ 1.15:1 Max.

4 - 8 GHz _____ 1.20:1 Max.

8 - 12.4 GHz _____ 1.25:1 Max.

12.4 - 18 GHz _____ 1.35:1 Max.

18 - 23 GHz _____ 1.40:1 Max.

Input Power _____ 2 Watts Avg. @ 25°C
DERATED LINEARLY TO 0.5 WATTS @ +125°C

Peak Power _____ 250 Watts Max.
(5uSec Pulse, .05% Duty Cycle)

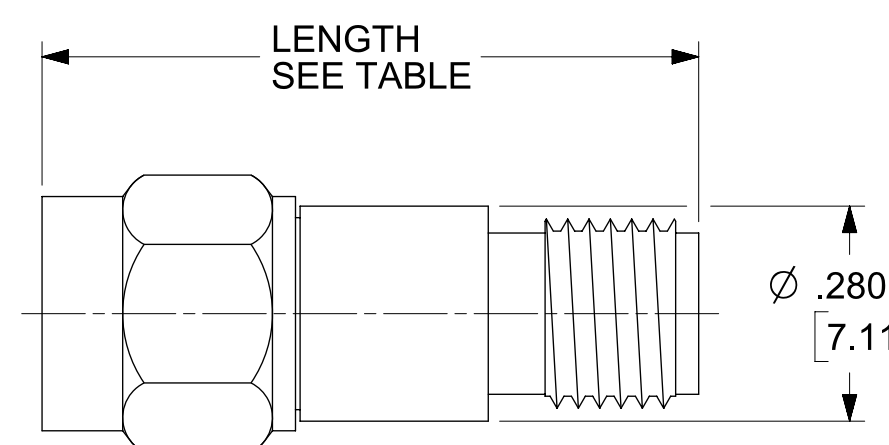
Impedance _____ 50 Ohms

Operating Temp Range _____ -65°C to +125°C

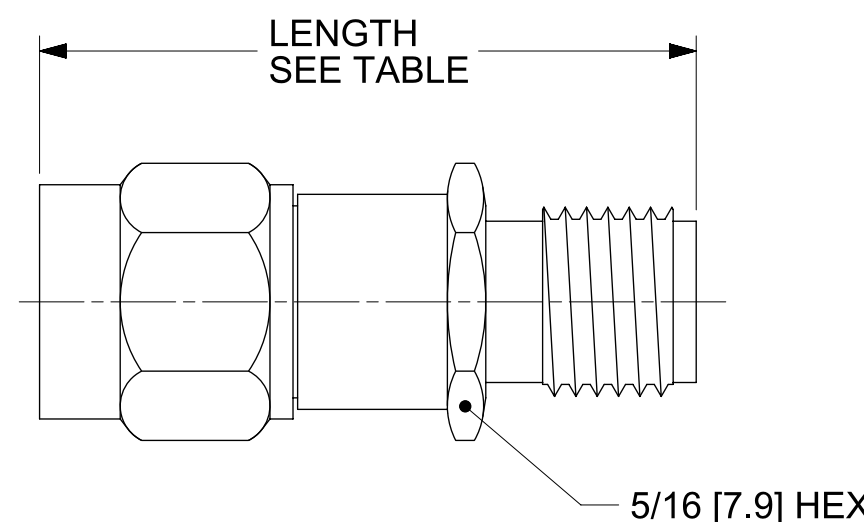
Mechanical:

SMA Connectors _____ Passivated Stainless Steel
Mates with MIL-STD-348

Conductors _____ Gold Plated Beryllium Copper



MALE/FEMALE WITHOUT HEX
SEE TABLE FOR CONFIGURATION OPTIONS



MALE/FEMALE WITH HEX
SEE TABLE FOR CONFIGURATION OPTIONS

Connector Configuration	LENGTH			
	0 - 12 dB		13 - 30 dB	
	Inches	Millimeters	Inches	Millimeters
Male/Female	.86 ±.03	[21.8 ±0.8]	.99 ±.03	[25.1 ±0.8]
Male/Male	.98 ±.03	[24.9 ±0.8]	1.11 ±.03	[28.2 ±0.8]
Female/Female	.87 ±.03	[22.1 ±0.8]	1.00 ±.03	[25.4 ±0.8]

MALE/MALE AND FEMALE/FEMALE CONFIGURATIONS NOT SHOWN

FUNCTIONAL SYMBOLS FA=0 FC=0 FD=0	THIS DRAWING CONTAINS INFORMATION THAT IS PROPRIETARY TO MOLEX ELECTRONIC TECHNOLOGIES, LLC AND SHOULD NOT BE USED WITHOUT WRITTEN PERMISSION			
	DIMENSION UNITS	SCALE		CURRENT REV DESC: CREATED
	INCH/MM	NTS		
	GENERAL TOLERANCES (UNLESS SPECIFIED)			
DIVISIONAL SYMBOLS		MM	INCH	
	4 PLACES ±	±	±	
	3 PLACES ±	±	±	
	2 PLACES ±	±	±	
	1 PLACE ±	±	±	
	0 PLACES ±	±	±	
	ANGULAR TOL	±	0.5°	
DRAFT WHERE APPLICABLE MUST REMAIN WITHIN DIMENSIONS		THIRD ANGLE PROJECTION	DRAWING	SERIES
			C-SIZE	73287
STATUS: Production		DRWN: Kevin Tagan	2024-03-18	 18 AND 23GHz, 2 WATT SMA ATTENUATORS PRODUCT SALES DRAWING
CHK'D: Les Meier		2024-03-26		
APPR: James Borrelli		2024-03-26		
DOCUMENT NUMBER		DOC TYPE	DOC PART	REVISION
732870000		PSD	000	A
MATERIAL NUMBER		CUSTOMER	SHEET NUMBER	
SEE TABLE		GENERAL MARKET	1 OF 3	

18 GHz			
Molex Part Number	Configuration	With or Without Hex	dB
0732870000	Male/Female	Without	0 dB
0732870001	Male/Female	With	0 dB
0732870002	Female/Female	Without	0 dB
0732870003	Female/Female	With	0 dB
0732870004	Male/Male	Without	0 dB
0732870005	Male/Male	With	0 dB
0732870010	Male/Female	Without	1dB
0732870011	Male/Female	With	1dB
0732870012	Female/Female	Without	1dB
0732870013	Female/Female	With	1dB
0732870014	Male/Male	Without	1dB
0732870015	Male/Male	With	1dB
0732870020	Male/Female	Without	2dB
0732870021	Male/Female	With	2dB
0732870022	Female/Female	Without	2dB
0732870023	Female/Female	With	2dB
0732870024	Male/Male	Without	2dB
0732870025	Male/Male	With	2dB
0732870030	Male/Female	Without	3dB
0732870031	Male/Female	With	3dB
0732870032	Female/Female	Without	3dB
0732870033	Female/Female	With	3dB
0732870034	Male/Male	Without	3dB
0732870035	Male/Male	With	3dB
0732870040	Male/Female	Without	4dB
0732870041	Male/Female	With	4dB
0732870042	Female/Female	Without	4dB
0732870043	Female/Female	With	4dB
0732870044	Male/Male	Without	4dB
0732870045	Male/Male	With	4dB
0732870050	Male/Female	Without	5dB
0732870051	Male/Female	With	5dB
0732870052	Female/Female	Without	5dB
0732870053	Female/Female	With	5dB
0732870054	Male/Male	Without	5dB
0732870055	Male/Male	With	5dB
0732870060	Male/Female	Without	6dB
0732870061	Male/Female	With	6dB
0732870062	Female/Female	Without	6dB
0732870063	Female/Female	With	6dB
0732870064	Male/Male	Without	6dB
0732870065	Male/Male	With	6dB

18GHz Cont.			
Molex Part Number	Configuration	With or Without Hex	dB
0732870070	Male/Female	Without	7dB
0732870071	Male/Female	With	7dB
0732870072	Female/Female	Without	7dB
0732870073	Female/Female	With	7dB
0732870074	Male/Male	Without	7dB
0732870075	Male/Male	With	7dB
0732870080	Male/Female	Without	8dB
0732870081	Male/Female	With	8dB
0732870082	Female/Female	Without	8dB
0732870083	Female/Female	With	8dB
0732870084	Male/Male	Without	8dB
0732870085	Male/Male	With	8dB
0732870090	Male/Female	Without	9dB
0732870091	Male/Female	With	9dB
0732870092	Female/Female	Without	9dB
0732870093	Female/Female	With	9dB
0732870094	Male/Male	Without	9dB
0732870095	Male/Male	With	9dB
0732870100	Male/Female	Without	10dB
0732870101	Male/Female	With	10dB
0732870102	Female/Female	Without	10dB
0732870103	Female/Female	With	10dB
0732870104	Male/Male	Without	10dB
0732870105	Male/Male	With	10dB
0732870110	Male/Female	Without	12dB
0732870111	Male/Female	With	12dB
0732870112	Female/Female	Without	12dB
0732870113	Female/Female	With	12dB
0732870114	Male/Male	Without	12dB
0732870115	Male/Male	With	12dB
0732870120	Male/Female	Without	15dB
0732870121	Male/Female	With	15dB
0732870122	Female/Female	Without	15dB
0732870123	Female/Female	With	15dB
0732870124	Male/Male	Without	15dB
0732870125	Male/Male	With	15dB
0732870130	Male/Female	Without	20dB
0732870131	Male/Female	With	20dB
0732870132	Female/Female	Without	20dB
0732870133	Female/Female	With	20dB
0732870134	Male/Male	Without	20dB
0732870135	Male/Male	With	20dB

18GHz Cont.			
Molex Part Number	Configuration	With or Without Hex	dB
0732870140	Male/Female	Without	30dB
0732870141	Male/Female	With	30dB
0732870142	Female/Female	Without	30dB
0732870143	Female/Female	With	30dB
0732870144	Male/Male	Without	30dB
0732870145	Male/Male	With	30dB

FUNCTIONAL SYMBOLS FA = 0 FB = 0 FD = 0 DIVISIONAL SYMBOLS	THIS DRAWING CONTAINS INFORMATION THAT IS PROPRIETARY TO MOLEX ELECTRONIC TECHNOLOGIES, LLC AND SHOULD NOT BE USED WITHOUT WRITTEN PERMISSION		CURRENT REV DESC: CREATED				
	DIMENSION UNITS	SCALE	 18 AND 23GHz, 2 WATT SMA ATTENUATORS PRODUCT SALES DRAWING				
	INCH/MM	NTS					
	GENERAL TOLERANCES (UNLESS SPECIFIED)						
	MM INCH						
	4 PLACES ±	±	STATUS: Production DRWN: Kevin Tagan 2024-03-18 CHK'D: Les Meier 2024-03-26 APPR: James Borrelli 2024-03-26				
	3 PLACES ±	±					
	2 PLACES ±	±					
	1 PLACE ±	±					
	0 PLACES ±	±	DOCUMENT NUMBER: 732870000 DOC TYPE: PSD DOC PART: 000 REVISION: A				
	ANGULAR TOL ± 0.5°		DRAFT WHERE APPLICABLE MUST REMAIN WITHIN DIMENSIONS THIRD ANGLE PROJECTION 				
			DRAWING	SERIES	MATERIAL NUMBER	CUSTOMER	SHEET NUMBER
			C-SIZE	73287	SEE TABLE	GENERAL MARKET	2 OF 3

23 GHz			
Molex Part Number	Configuration	With or Without Hex	dB
0732870150	Male/Female	Without	0 dB
0732870151	Male/Female	With	0 dB
0732870152	Female/Female	Without	0 dB
0732870153	Female/Female	With	0 dB
0732870154	Male/Male	Without	0 dB
0732870155	Male/Male	With	0 dB
0732870160	Male/Female	Without	1dB
0732870161	Male/Female	With	1dB
0732870162	Female/Female	Without	1dB
0732870163	Female/Female	With	1dB
0732870164	Male/Male	Without	1dB
0732870165	Male/Male	With	1dB
0732870170	Male/Female	Without	2dB
0732870171	Male/Female	With	2dB
0732870172	Female/Female	Without	2dB
0732870173	Female/Female	With	2dB
0732870174	Male/Male	Without	2dB
0732870175	Male/Male	With	2dB
0732870180	Male/Female	Without	3dB
0732870181	Male/Female	With	3dB
0732870182	Female/Female	Without	3dB
0732870183	Female/Female	With	3dB
0732870184	Male/Male	Without	3dB
0732870185	Male/Male	With	3dB
0732870190	Male/Female	Without	4dB
0732870191	Male/Female	With	4dB
0732870192	Female/Female	Without	4dB
0732870193	Female/Female	With	4dB
0732870194	Male/Male	Without	4dB
0732870195	Male/Male	With	4dB
0732870200	Male/Female	Without	5dB
0732870201	Male/Female	With	5dB
0732870202	Female/Female	Without	5dB
0732870203	Female/Female	With	5dB
0732870204	Male/Male	Without	5dB
0732870205	Male/Male	With	5dB
0732870210	Male/Female	Without	6dB
0732870211	Male/Female	With	6dB
0732870212	Female/Female	Without	6dB
0732870213	Female/Female	With	6dB
0732870214	Male/Male	Without	6dB
0732870215	Male/Male	With	6dB

23 GHz Cont.			
Molex Part Number	Configuration	With or Without Hex	dB
0732870220	Male/Female	Without	7dB
0732870221	Male/Female	With	7dB
0732870222	Female/Female	Without	7dB
0732870223	Female/Female	With	7dB
0732870224	Male/Male	Without	7dB
0732870225	Male/Male	With	7dB
0732870230	Male/Female	Without	8dB
0732870231	Male/Female	With	8dB
0732870232	Female/Female	Without	8dB
0732870233	Female/Female	With	8dB
0732870234	Male/Male	Without	8dB
0732870235	Male/Male	With	8dB
0732870240	Male/Female	Without	9dB
0732870241	Male/Female	With	9dB
0732870242	Female/Female	Without	9dB
0732870243	Female/Female	With	9dB
0732870244	Male/Male	Without	9dB
0732870245	Male/Male	With	9dB
0732870250	Male/Female	Without	10dB
0732870251	Male/Female	With	10dB
0732870252	Female/Female	Without	10dB
0732870253	Female/Female	With	10dB
0732870254	Male/Male	Without	10dB
0732870255	Male/Male	With	10dB
0732870260	Male/Female	Without	12dB
0732870261	Male/Female	With	12dB
0732870262	Female/Female	Without	12dB
0732870263	Female/Female	With	12dB
0732870264	Male/Male	Without	12dB
0732870265	Male/Male	With	12dB
0732870270	Male/Female	Without	15dB
0732870271	Male/Female	With	15dB
0732870272	Female/Female	Without	15dB
0732870273	Female/Female	With	15dB
0732870274	Male/Male	Without	15dB
0732870275	Male/Male	With	15dB
0732870280	Male/Female	Without	20dB
0732870281	Male/Female	With	20dB
0732870282	Female/Female	Without	20dB
0732870283	Female/Female	With	20dB
0732870284	Male/Male	Without	20dB
0732870285	Male/Male	With	20dB

23GHz Cont.			
Molex Part Number	Configuration	With or Without Hex	dB
0732870290	Male/Female	Without	30dB
0732870291	Male/Female	With	30dB
0732870292	Female/Female	Without	30dB
0732870293	Female/Female	With	30dB
0732870294	Male/Male	Without	30dB
0732870295	Male/Male	With	30dB

FUNCTIONAL SYMBOLS FA = 0 FB = 0 FD = 0 DIVISIONAL SYMBOLS	THIS DRAWING CONTAINS INFORMATION THAT IS PROPRIETARY TO MOLEX ELECTRONIC TECHNOLOGIES, LLC AND SHOULD NOT BE USED WITHOUT WRITTEN PERMISSION		DIMENSION UNITS: INCH/MM SCALE: NTS		CURRENT REV DESC: CREATED STATUS: Production DRWN: Kevin Tagan 2024-03-18 CHK'D: Les Meier 2024-03-26 APPR: James Borrelli 2024-03-26				
	GENERAL TOLERANCES (UNLESS SPECIFIED)		MM INCH						
	4 PLACES ±		±			PRODUCT SALES DRAWING			
	3 PLACES ±		±						
2 PLACES ±		±		DOCUMENT NUMBER: 732870000 DOC TYPE: PSD DOC PART: 000 REVISION: A					
1 PLACE ±		±							
0 PLACES ±		±		MATERIAL NUMBER: SEE TABLE CUSTOMER: GENERAL MARKET SHEET NUMBER: 3 OF 3					
ANGULAR TOL ± 0.5°		±							
DRAFT WHERE APPLICABLE MUST REMAIN WITHIN DIMENSIONS		THIRD ANGLE PROJECTION		DRAWING: C-SIZE		SERIES: 73287			