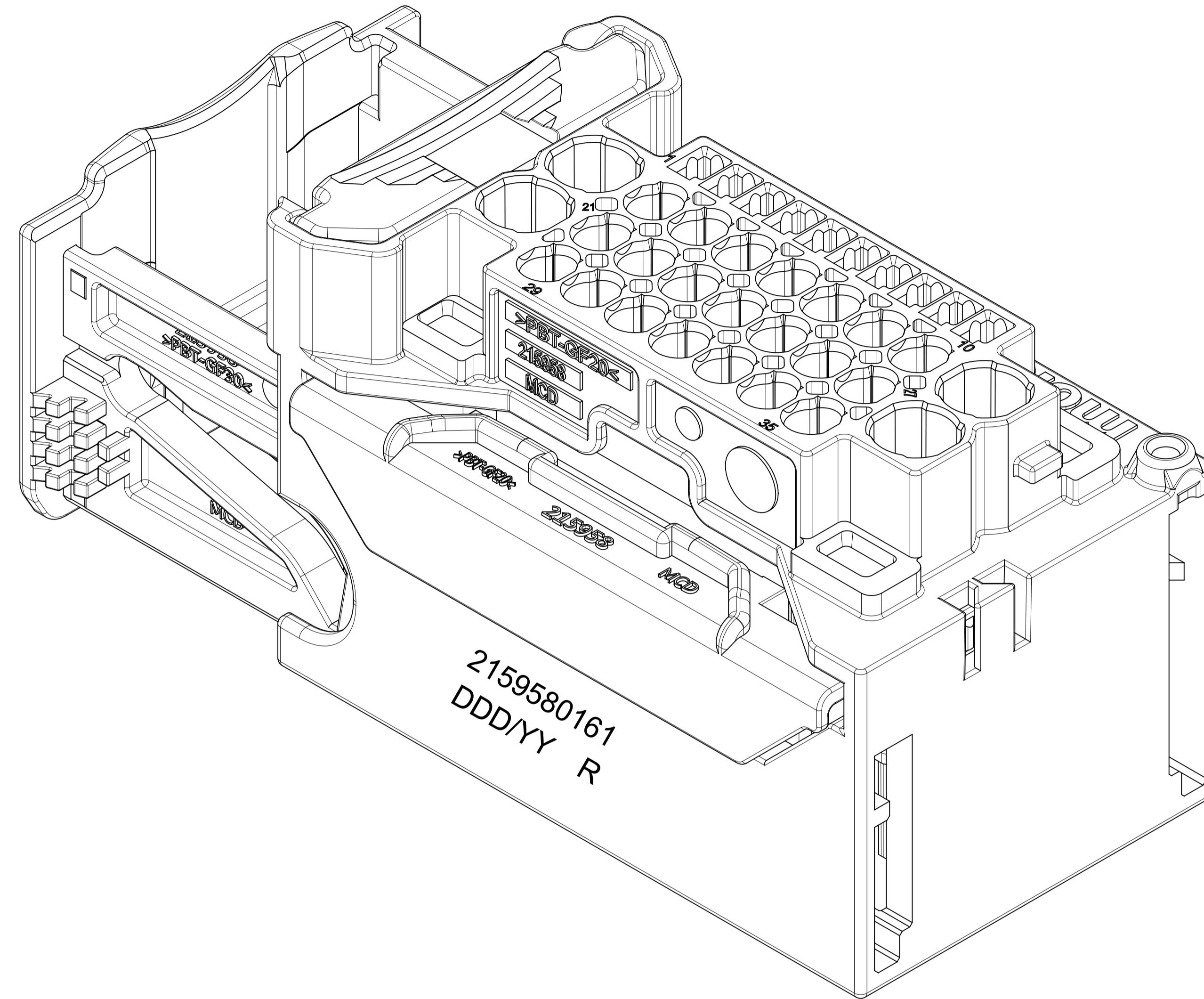



| MODIFICATIONS | | | |
|---------------|---|------|------------|
| REV. | DESCRIPTIONS | NAME | DATE |
| A | FIRST RELEASE | DHG | 2023-03-02 |
| A1 | DIM A.7 FROM 2.7 +/-0.075 TO 2.7 +/-0.08 FROM RESTRICTED PRODUCT SALES DRAWING TO PRODUCT SALES DRAWING REATTACH x 2 DIM 25 MIN IN FULLY MATED POSITION | VJ | 2023-07-26 |
| A2 | SHEET 3 : ADD ASSOCIATED PARTS TABLE WITH SUPPLIER P/N | VJ | 2024-02-21 |



- NOTES:
- GENERAL:
 - PRODUCT SPECIFICATION: 2159580000-PS
 - TEST SUMMARY: XXXXXXXXXXXX-TS
 - APPLICATION SPECIFICATION: 2159580000-AS
 - PACKAGING SPECIFICATION: 2159580150-PK
 - COSMETIC SPECIFICATION: PS-45499-002 CLASS B
 - MATES WITH : BLADE CONNECTOR DRAWING 2159580250-SD
 - CONNECTOR MATING FORCE ALLOWED : 60 N MAXI
 - WEIGHT (GRAMS) : 27.0 g
 - THE RCPT HOUSING SHOWN IS KEYING A
 - DESIGN - MATERIALS:
SEE TABLE ON SHEET N°3

| | | | | | | | | | | | |
|---|--|-----------------------|--|---|--|-------------|--|-----------------|--|--------------------------------|--|
| THIS DRAWING CONTAINS INFORMATION THAT IS PROPRIETARY TO MOLEX ELECTRONIC TECHNOLOGIES, LLC AND SHOULD NOT BE USED WITHOUT WRITTEN PERMISSION | | | | | | | | | | | |
| DIMENSION UNITS mm | | SCALE 2.5:1 | | CURRENT REV DESC: SEE REVISION TABLE | | | | | | | |
| GENERAL TOLERANCES (UNLESS SPECIFIED) | | | |  35CKT HYB STD_ASSY RCPT HSG PRODUCT SALES DRAWING | | | | | | | |
| ANGULAR TOL ± 2° | | | | | | | | | | | |
| 4 PLACES ± 0.03000 | | | | | | | | | | | |
| 3 PLACES ± 0.0300 | | | | | | | | | | | |
| 2 PLACES ± 0.050 | | | | | | | | | | | |
| 1 PLACE ± 0.10 | | | | | | | | | | | |
| 0 PLACES ± 0.15 | | | | STATUS: Production | | 2024-02-21 | | DOCUMENT NUMBER | | DOC TYPE DOC PART REVISION | |
| DRAFT WHERE APPLICABLE MUST REMAIN WITHIN DIMENSIONS | | | | FIRST ANGLE PROJECTION | | DRAWING | | SERIES | | MATERIAL NUMBER | |
| | | A1-SIZE | | 215958 | | SEE SHEET 3 | | CUSTOMER | | SHEET NUMBER | |
| | | | | GENERAL MARKET | | 1 OF 4 | | 2159580150-SD | | PSD 000 A2 | |

KEYING DEFINITION

| | |
|-------------------------------------|---------------|
| KEYING | A |
| MOLEX PART NUMBER | 2159580161 |
| COLOR | NATURAL WHITE |
| COMPATIBLE WITH BLADE HOUSING COLOR | NATURAL WHITE |

| | |
|-------------------------------------|------------|
| KEYING | D |
| MOLEX PART NUMBER | 2159580164 |
| COLOR | BLUE |
| COMPATIBLE WITH BLADE HOUSING COLOR | BLUE |

| | |
|-------------------------------------|------------|
| KEYING | B |
| MOLEX PART NUMBER | 2159580162 |
| COLOR | BLACK |
| COMPATIBLE WITH BLADE HOUSING COLOR | BLACK |

| | |
|-------------------------------------|------------|
| KEYING | E |
| MOLEX PART NUMBER | 2159580165 |
| COLOR | BROWN |
| COMPATIBLE WITH BLADE HOUSING COLOR | BROWN |

| | |
|-------------------------------------|------------|
| KEYING | C |
| MOLEX PART NUMBER | 2159580163 |
| COLOR | GRAY |
| COMPATIBLE WITH BLADE HOUSING COLOR | GRAY |

| | |
|-------------------------------------|------------|
| KEYING | Z |
| MOLEX PART NUMBER | 2159580169 |
| COLOR | PURPLE |
| COMPATIBLE WITH BLADE HOUSING COLOR | PURPLE |

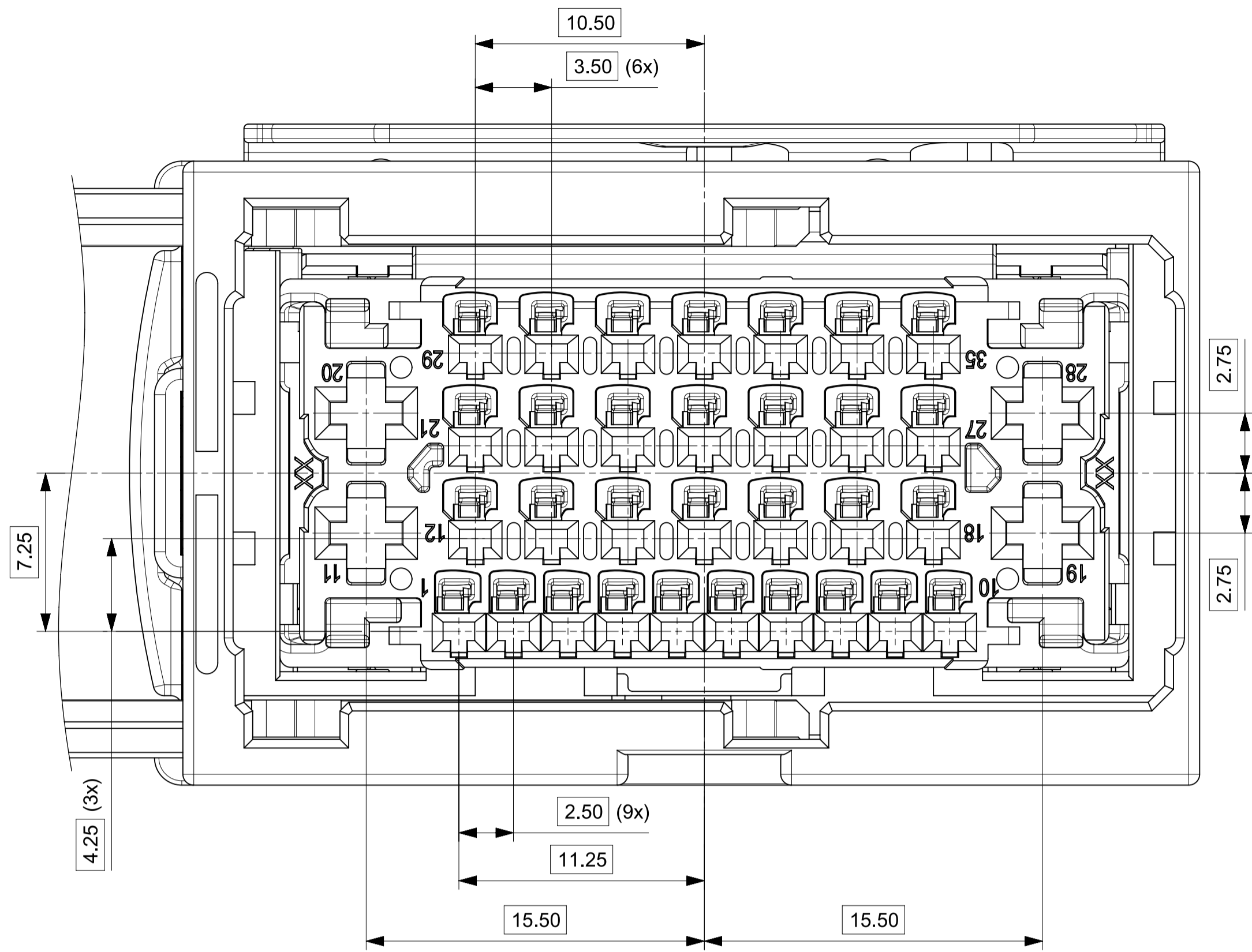
| | | | | | | | | | | |
|---|-----------|--------------------------------------|---------|------------|-----------------|-----------------|--------------|----------|----------|----------|
| THIS DRAWING CONTAINS INFORMATION THAT IS PROPRIETARY TO MOLEX ELECTRONIC TECHNOLOGIES, LLC AND SHOULD NOT BE USED WITHOUT WRITTEN PERMISSION | | | | | | | | | | |
| DIMENSION UNITS | SCALE | CURRENT REV DESC: SEE REVISION TABLE | | | | | | | | |
| mm | 2:1 | | | | | | | | | |
| GENERAL TOLERANCES (UNLESS SPECIFIED) | | | | | | | | | | |
| ANGULAR TOL | ± 2' | | | | | | | | | |
| 4 PLACES | ± 0.03000 | | | | | | | | | |
| 3 PLACES | ± 0.0300 | | | | | | | | | |
| 2 PLACES | ± 0.050 | | | | | | | | | |
| 1 PLACE | ± 0.10 | | | | | | | | | |
| 0 PLACES | ± 0.15 | | | | | | | | | |
| DRAFT WHERE APPLICABLE MUST REMAIN WITHIN DIMENSIONS | | FIRST ANGLE PROJECTION | DRAWING | SERIES | MATERIAL NUMBER | CUSTOMER | SHEET NUMBER | | | |
| | | | A1-SIZE | 215958 | SEE SHEET 3 | GENERAL MARKET | 2 OF 4 | | | |
| | | STATUS: Production | | 2024-02-21 | | DOCUMENT NUMBER | | | | |
| | | DRWN: Valerie Jouas | | 2024-02-28 | | 2159580150-SD | | DOC TYPE | DOC PART | REVISION |
| | | CHK'D: OlivierPlessis | | 2024-02-28 | | PSD 000 | | A2 | | |
| | | APPR: Matthieu Huguet | | 2024-02-28 | | | | | | |

molex

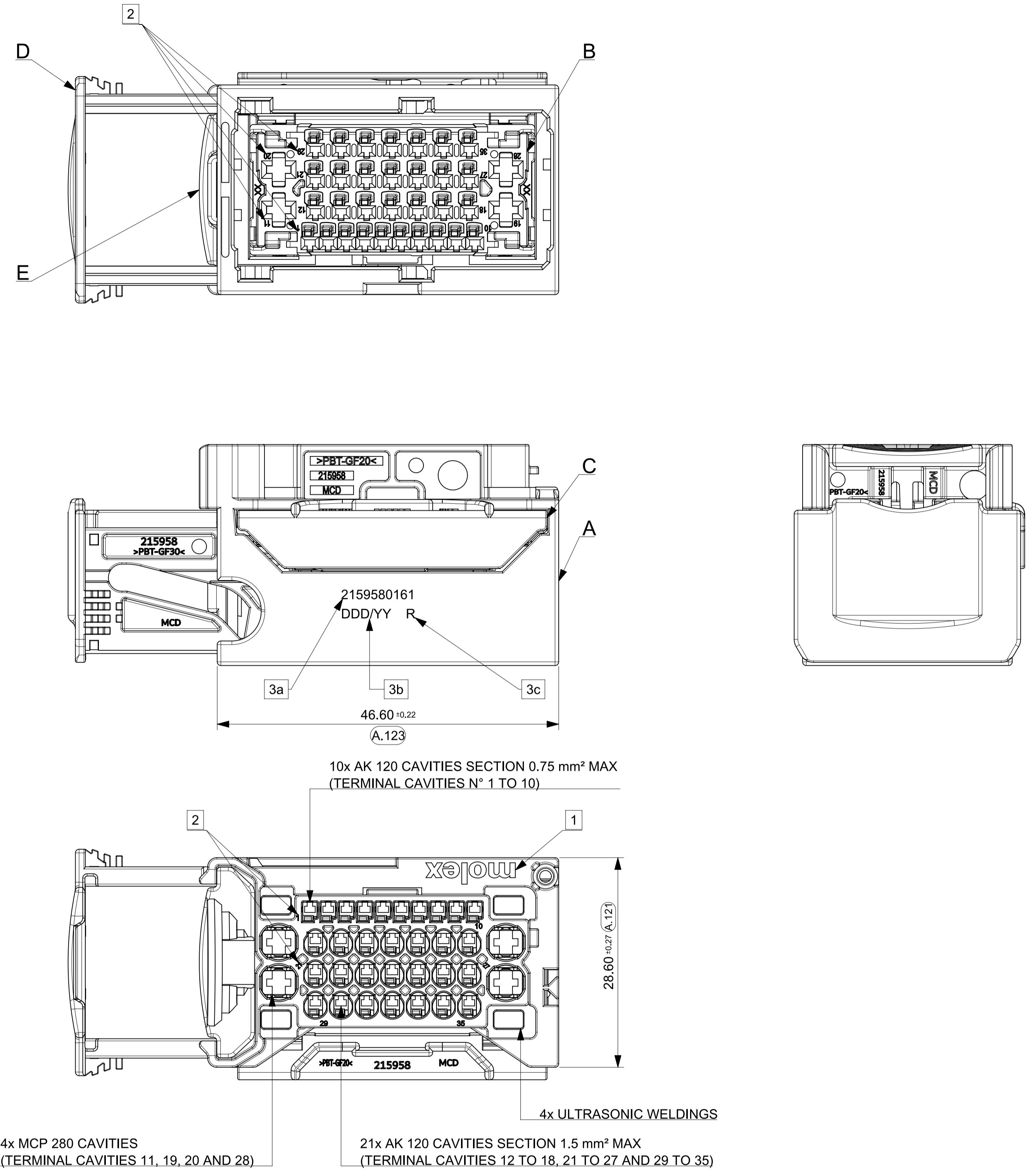
35CKT HYB STD_ASSY RCPT HSG

PRODUCT SALES DRAWING

CAVITIES LOCATION



PRODUCT DEFINITION



COMPONENTS

| POS. | QTY | DESCRIPTION | MATERIAL | COLOR |
|------|-----|-----------------------------|----------|---|
| A | 1 | 35CKT HYB STD RCPT CONN HSG | PBT-GF20 | FOLLOWING KEYING |
| B | 1 | 35CKT HYB STD RCPT TERM HSG | PBT-GF20 | BLACK |
| C | 1 | 35CKT HYB STD RCPT ISL | PBT-GF20 | NATURAL-WHITE FOR KEYINGS B C D E AND Z BLACK FOR KEYING A |
| D | 1 | SLIDER | PBT-GF30 | BLACK |
| E | 1 | CPA | PBT-GF20 | RED |

ASSOCIATED PARTS

| DESCRIPTION | SECTION (mm ²) | SUPPLIER P/N | PLATING |
|--|----------------------------|--------------|---------|
| OCS 120 FEMALE TERMINAL APTIV (DELPHI) | 0.13 - 0.22 | 33265283 | TIN |
| | 0.35 - 0.50 | 33265287 | |
| | 0.75 - 1.00 | 33265290 | |
| | 1.50 | 33265291 | |
| MCON 1.2 FEMALE TERMINAL CB TE | 0.35 | 1534594-1 | TIN |
| | 0.5 - 0.75 | 1670144-1 | |
| | 1.00 - 1.50 | 1452503-1 | |
| | 0.35 - 0.50 | 1-968880-1 | |
| MCP 280 FEMALE TERMINAL TE | 0.75 - 1.00 | 1-968849-1 | TIN |
| | 1.50 - 2.50 | 1-968851-1 | |
| | 3.00 - 4.00 | 1-968853-1 | |
| | 0.35 - 0.50 | 1-968880-1 | |

MARKINGS

- 1 TRADE MARK
- 2 CAVITY ID
- 3 ASSY RECEPTACLE HOUSING LASER MARKING
 - 3a PART NUMBER
 - 3b DAY / YEAR
 - 3c MATED CONNECTOR REVISION

THIS DRAWING CONTAINS INFORMATION THAT IS PROPRIETARY TO MOLEX ELECTRONIC TECHNOLOGIES, LLC AND SHOULD NOT BE USED WITHOUT WRITTEN PERMISSION

| | | | |
|--|------------------------|--------------------------------------|--------------|
| DIMENSION UNITS | SCALE | CURRENT REV DESC: SEE REVISION TABLE | |
| mm | 2.5:1 | | |
| GENERAL TOLERANCES (UNLESS SPECIFIED) | | | |
| ANGULAR TOL | ± 2' | | |
| 4 PLACES | ± 0.03000 | | |
| 3 PLACES | ± 0.0300 | | |
| 2 PLACES | ± 0.050 | | |
| 1 PLACE | ± 0.10 | | |
| 0 PLACES | ± 0.15 | | |
| DRAFT WHERE APPLICABLE MUST REMAIN WITHIN DIMENSIONS | FIRST ANGLE PROJECTION | DRAWING | SHEET NUMBER |
| | | A1-SIZE | 215958 |

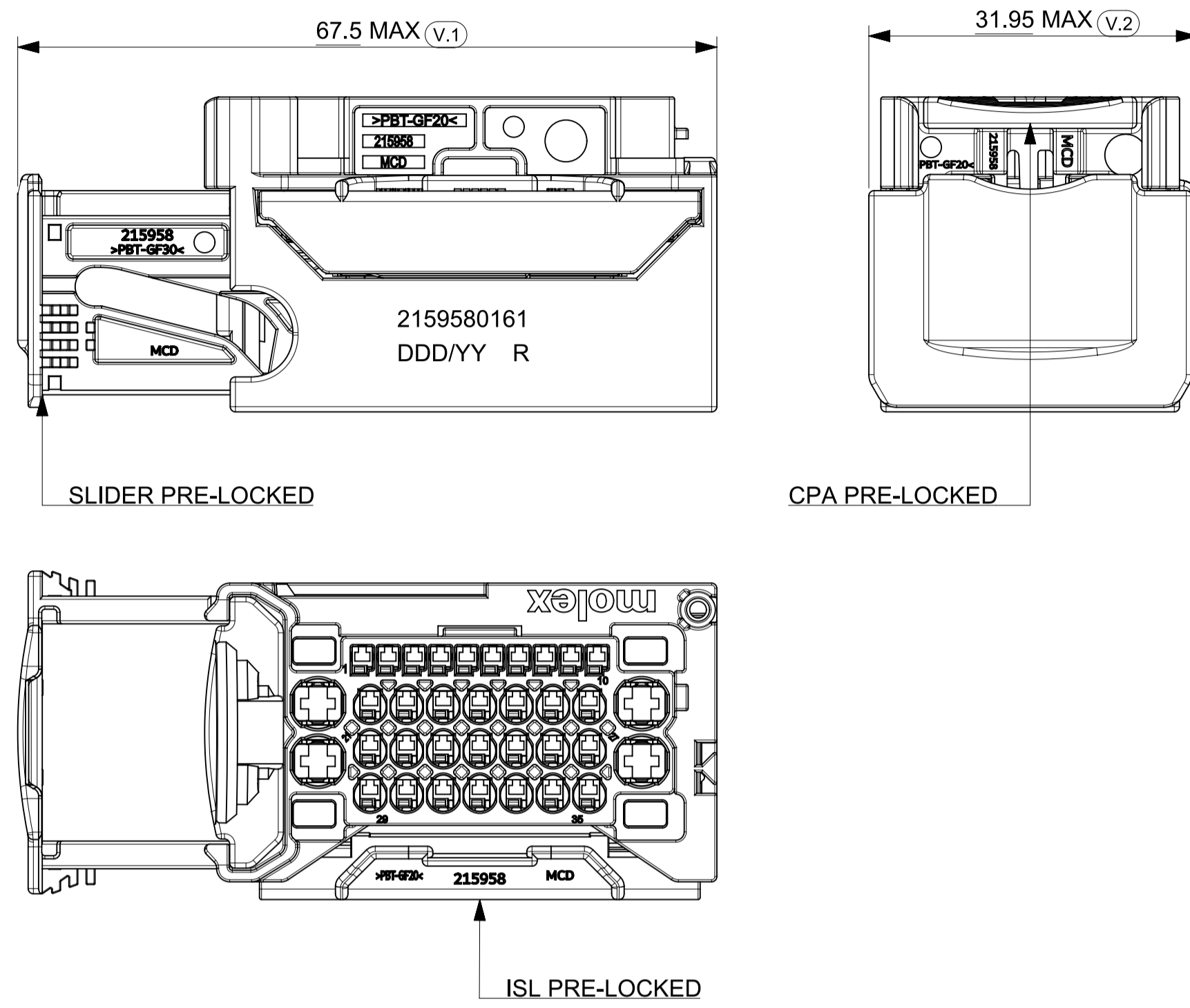
| | | | |
|-----------------------|----------------|--------------|----------|
| STATUS: Production | | | |
| DRWN: Valerie Jouas | | | |
| CHK'D: OlivierPlessis | | | |
| APPR: Matthieu Huguet | | | |
| 2024-02-21 | 2024-02-28 | 2024-02-28 | |
| DOCUMENT NUMBER | DOC TYPE | DOC PART | REVISION |
| 2159580150-SD | PSD | 000 | A2 |
| MATERIAL NUMBER | CUSTOMER | SHEET NUMBER | |
| SEE TABLE | GENERAL MARKET | 3 OF 4 | |

molex

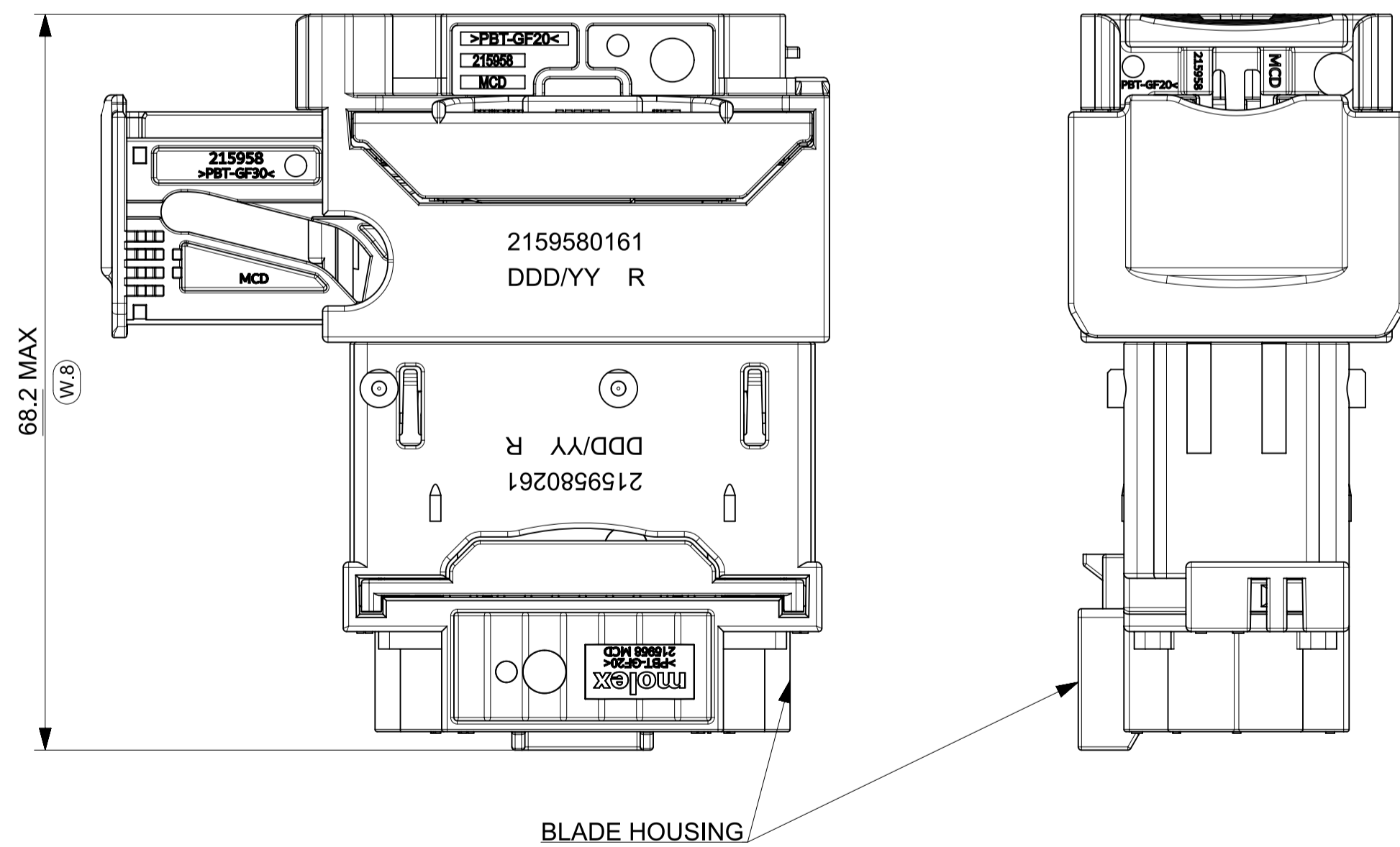
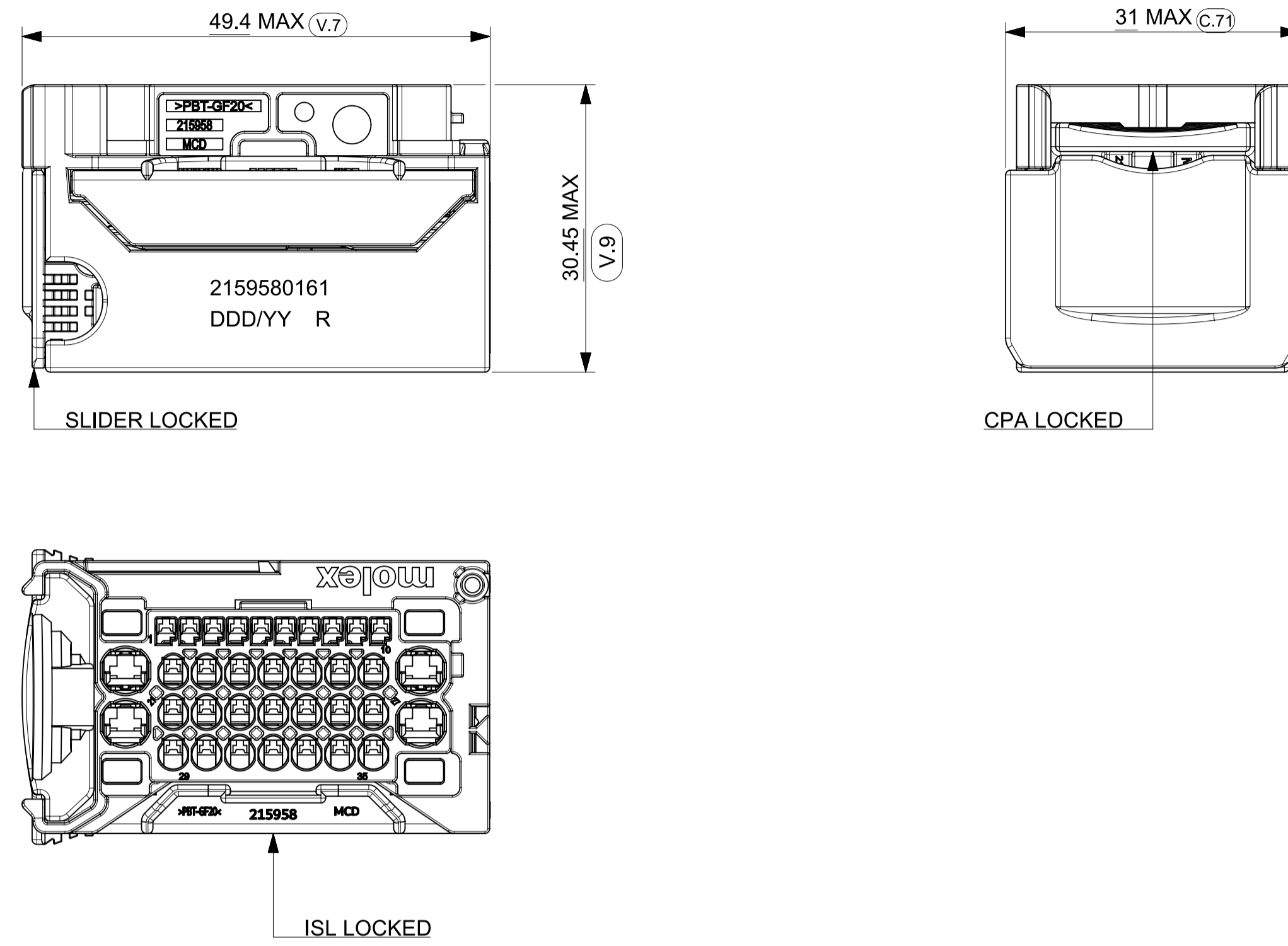
35CKT HYB STD_ASSY RCPT HSG

PRODUCT SALES DRAWING

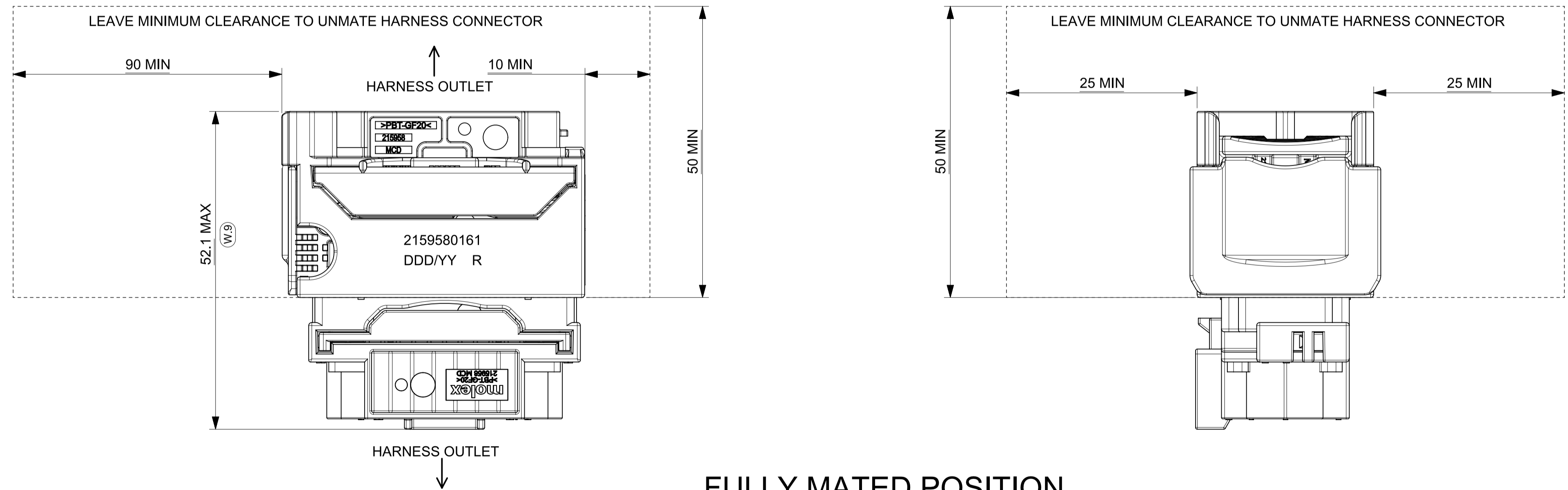
OVERALL RECEPTACLE HOUSING DIMENSIONS
DELIVERY POSITION



OVERALL RECEPTACLE HOUSING DIMENSIONS
ISL LOCKED / SLIDER LOCKED / CPA LOCKED



BEFORE MATING POSITION



FULLY MATED POSITION

OVERALL RECEPTACLE HOUSING ON BLADE HOUSING DIMENSIONS

| | | | | | |
|---|-----------|--------------------------------------|--|--------------------------------|--|
| THIS DRAWING CONTAINS INFORMATION THAT IS PROPRIETARY TO MOLEX ELECTRONIC TECHNOLOGIES, LLC AND SHOULD NOT BE USED WITHOUT WRITTEN PERMISSION | | CURRENT REV DESC: SEE REVISION TABLE | | | |
| DIMENSION UNITS | SCALE | | | | |
| mm | 2:1 | | | 35CKT HYB STD_ASSY RCPT HSG | |
| GENERAL TOLERANCES (UNLESS SPECIFIED) | | | | PRODUCT SALES DRAWING | |
| ANGULAR TOL | ± 2' | | | DOCUMENT NUMBER | |
| 4 PLACES | ± 0.03000 | | | 2159580150-SD | |
| 3 PLACES | ± 0.0300 | | | DOC TYPE DOC PART REVISION | |
| 2 PLACES | ± 0.050 | | | PSD 000 A2 | |
| 1 PLACE | ± 0.10 | | | STATUS: Production | |
| 0 PLACES | ± 0.15 | | | DRWN: Valerie Jouas | |
| DRAFT WHERE APPLICABLE MUST REMAIN WITHIN DIMENSIONS | | FIRST ANGLE PROJECTION | | 2024-02-21 | |
| | | DRAWING | | 2024-02-28 | |
| | | SERIES | | 2024-02-28 | |
| | | MATERIAL NUMBER | | APPUR: Matthieu Huguet | |
| | | CUSTOMER | | SHEET NUMBER | |
| | | A1-SIZE | | 4 OF 4 | |
| | | 215958 | | GENERAL MARKET | |
| | | SEE SHEET 3 | | | |